



iCell

LCU71LTE



iCell

LCU71LTE

Precautions

Please read this specification carefully before use, so as to avoid any installation error that might cause the malfunction of the device.

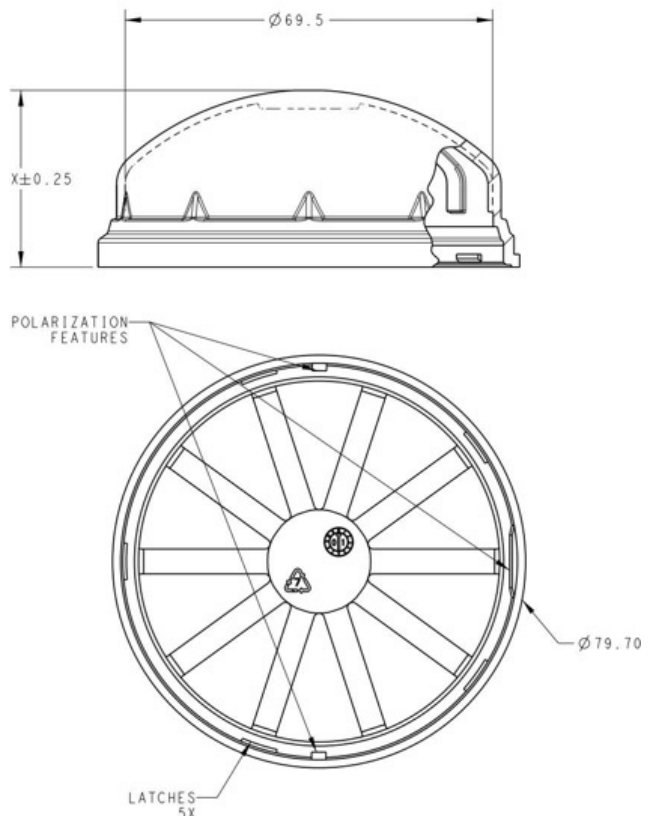
Transportation and storage conditions

1. Storage Temperature: -40°C~+85°C
2. Storage Environment: avoid any humid or wet environments
3. Transport: avoid falling
4. Stockpiling: avoid over-piling

Notice

1. On-site installation should be done by professional personnel.
2. Do not install the device in a long-term high temperature environment, which could shorten its lifetime.
3. Well insulate the connections during the installation.
4. STRICTLY wire the device according to the attached diagram, inappropriate wiring might cause fatal damage to the device.
5. Please rotate the device to ensure the ZHAGA interface is completely connected.

Dimensions



Features



- Support LTE FDD, LTE TDD, WCDMA and GSM.
- With standard ZHAGA 4-PIN interface, plug and play
- Supports DALI 2.0 protocol.
- Failure detection: lamp failure, power failure, over voltage, over current, under voltage, power outage.
- Automatically report failure notification to server and all trigger thresholds are configurable.
- Built-in power meter, support remotely read real-time status and parameters like voltage, current, power and energy etc.
- Built-in RTC, support scheduled task.
- Built-in photocell, auto control via lux value.
- Built-in GPS, auto positioning.
- Optional configuration: tilt sensor, temperature sensor.
- Specially optimized for Philips Xitanium SR LED driver.
- Lightning protection & IP66 waterproof.
- Support online firmware upgrading (OTA).



Specifications

Scope	Single lamp with LED driver
	Street lighting, Landscape lighting, Tunnel lighting
Parameters	

Basic Information

Product Model		Cell LCU71LTE
Input	Voltage	24VDC
	Current	>300mA
	Static Power Consumption	<1W

Communication Mode

Comm Mode	DALI
Output Voltage	Equals to input
Note	Standard DALI dimming protocol

Communication Performance

Supported Bands	Different bands use different LTE modules. All bands are covered.
GNSS	GPS, BeiDou

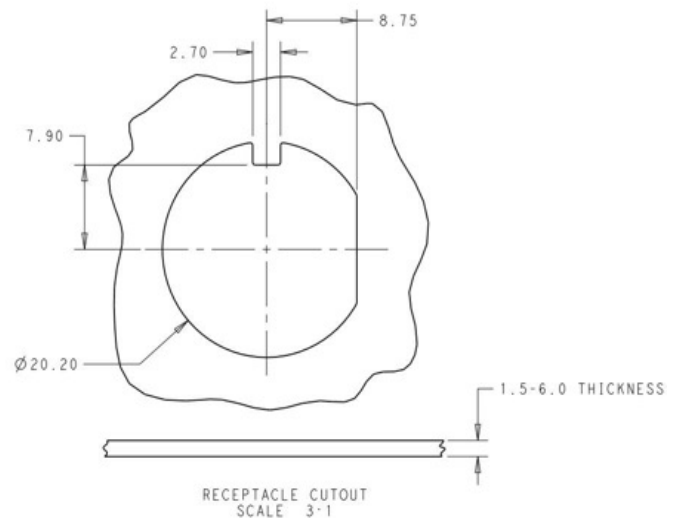
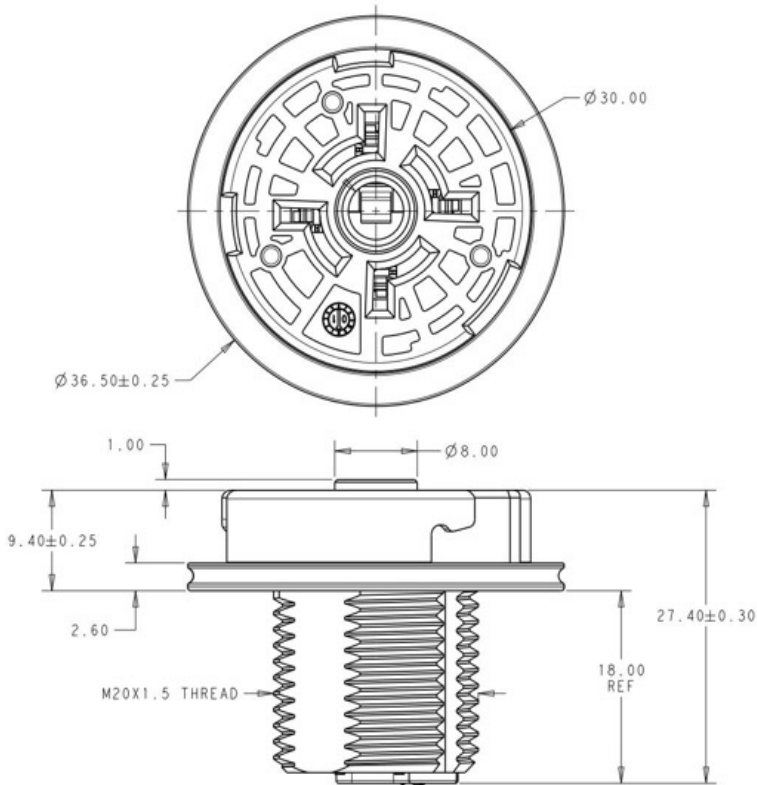
Other Functions

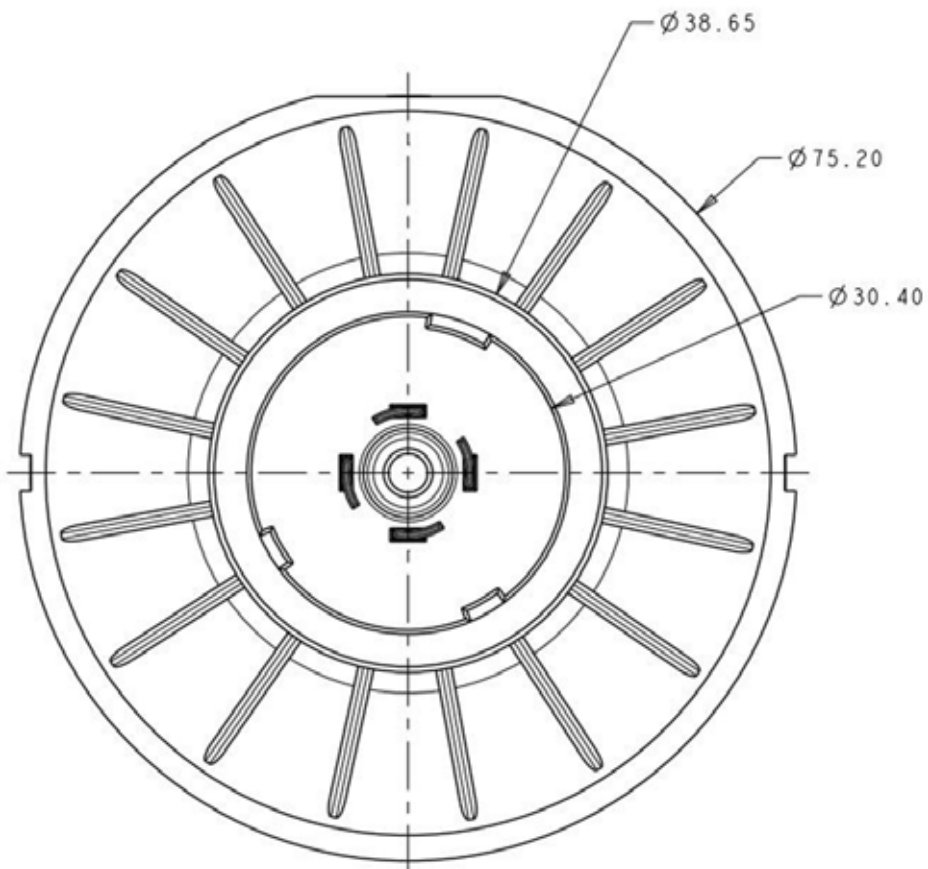
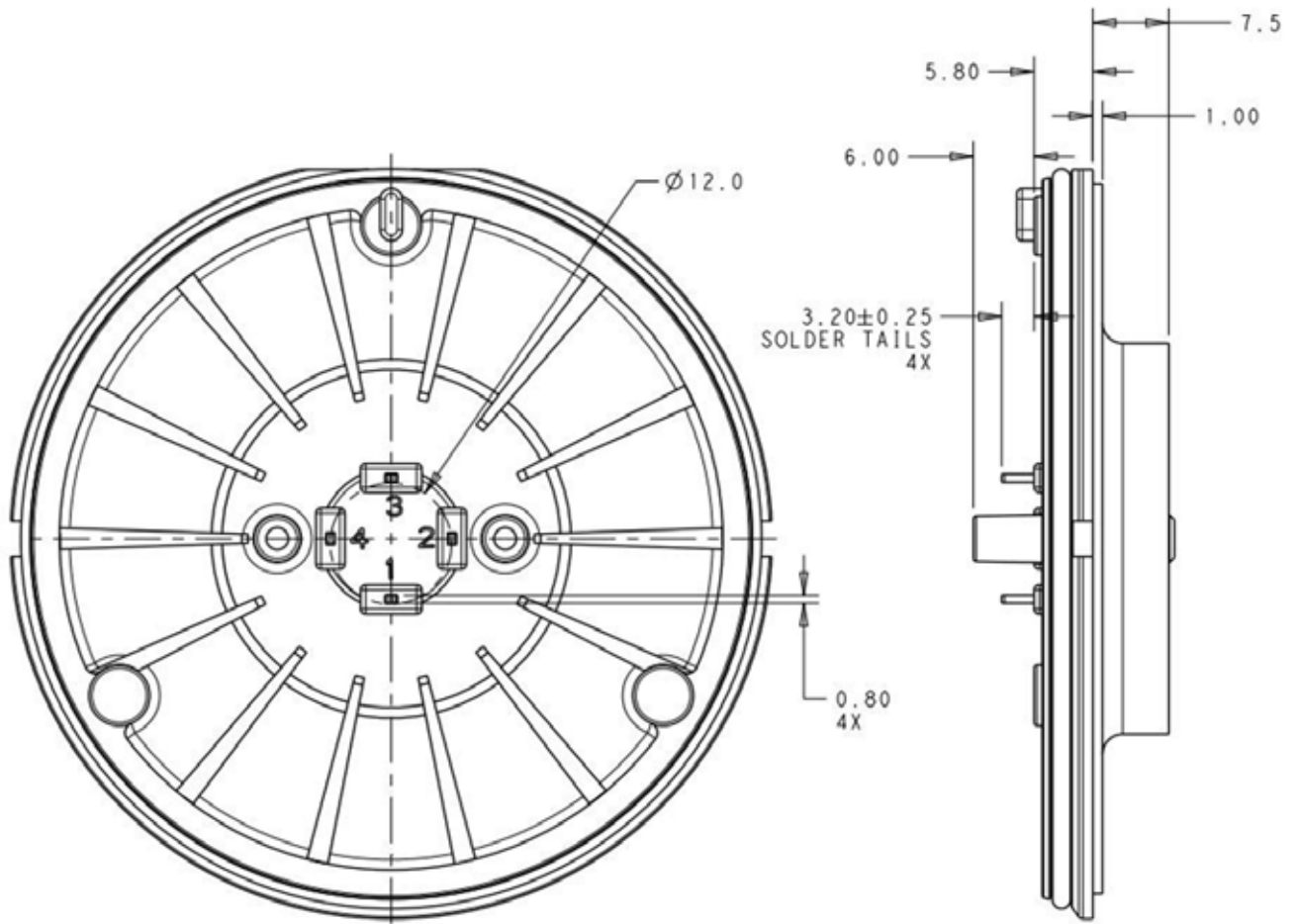
Failure Report	Auto report; query to report
Failure Notification	Power failure Over Current
	DALI communication failure
	Over voltage
	Over Current
	Power off notification
Failure Threshold	All thresholds for each failure can be configured remotely
Task Mode	Photocell Control, AstroClock Control, Fixed Time Control
Firmware Upgrade	Local upgrade, OTA upgrade

Working Environment

Temperature	-40°C~+85°C
Humidity	<95%
IP Rating	IP66
Size	Diameter 80mm, Height 48mm

iCell LCU71LTE Wiring diagram







TST

320 Darebin Road
Fairfield VIC 3078

www.trafficltd.com.au

NSW

P: +61 2 9736 3677
F: +61 2 9736 3391
e: info@trafficltd.com.au

NT

P: +61 8 8947 0733
F: +61 8 8947 0713
e: info@trafficltd.com.au

QLD

P: +61 7 3184 2000
F: +61 7 3266 2244
e: info@trafficltd.com.au

VIC

P: +61 3 9430 0222
F: +61 3 9430 0244
e: info@trafficltd.com.au

ACT

P: +61 2 6299 7922
F: +61 2 6299 7977
e: info@trafficltd.com.au

TAS

P: +61 3 6273 1177
F: +61 3 6273 1759
e: info@trafficltd.com.au

SA

P: +61 8 8362 2385
e: info@trafficltd.com.au

WA

P: +61 8 9248 1002
F: +61 8 9209 2288
e: info@trafficltd.com.au

UNITED KINGDOM

P: +44 (0) 1159 223 797
F: +44 (0) 1159 223 836
e: info@aldridgetraffic.co.uk

