

ALDRIDGE

Resilience Seville

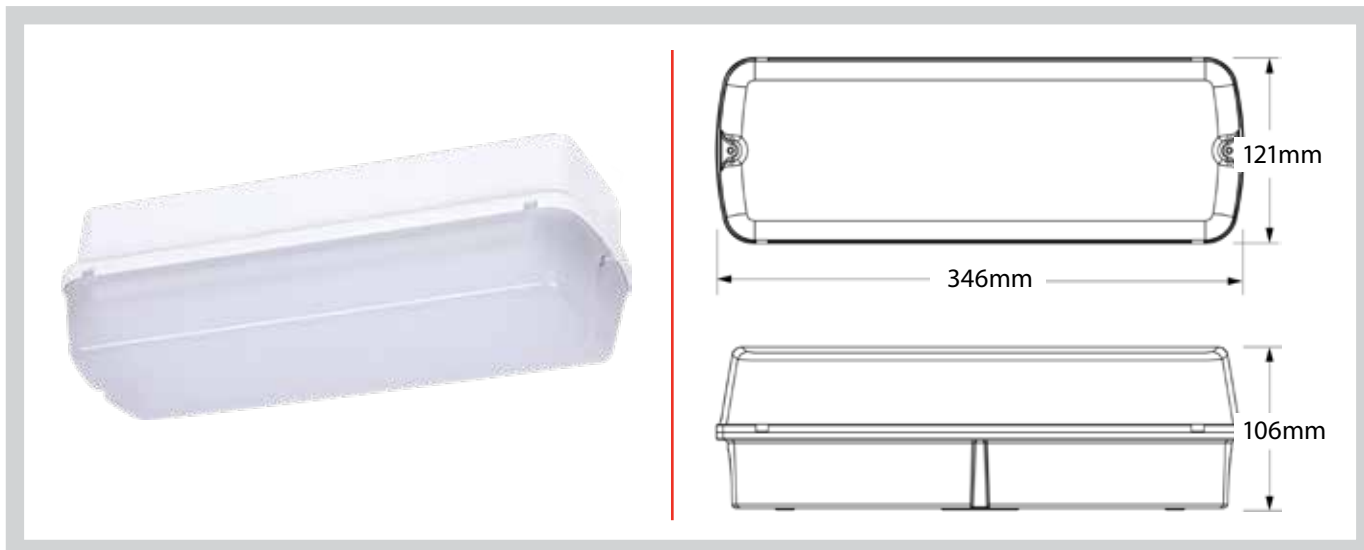


Vandal Proof, Weather Resistant LED Lighting

SEVILLE

STANDARD • SENSOR • EMERGENCY

Vandal Proof, Weather Resistant LED Lighting



Resilience Range

The Resilience luminaire collection is designed and manufactured specifically to withstand the harshest of environments and vandal prone locations.

With an IP65 rating, and impact rating from IK8 – IK20, Resilience luminaires are suitable for both interior and exterior installations, including anti-ligature options for secure establishments.

Aldridge Resilience LED lights come in a wide range of lumens, wattages, shapes and sizes.

Suitable for:

- URBAN LIGHTING
- SOCIAL HOUSING
- LOCAL AUTHORITY
- TRANSPORT
- SECURE ESTABLISHMENTS

The Resilience Seville is available in 4 variations and 700 or 1400 lumens.

- STANDARD
- SENSOR
- EMERGENCY
- EMERGENCY + SENSOR

The Seville features prism glass which reduces the glare without impacting on lighting efficiency. An IP65 rating protects against harsh conditions and hostile environments.

- Simple profile, pleasant illumination, no glare, low energy consumption
- Infra-red sensor, (*except on standard versions*) with intelligent 7 steps lumen intensity control included
- Unique emergency function design, (*Emergency function is only available on the emergency versions*)
- 3000K, 5700K colour temperature available

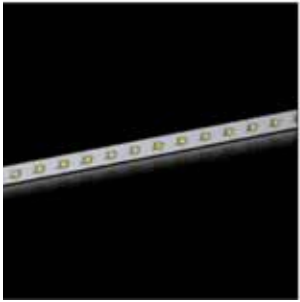




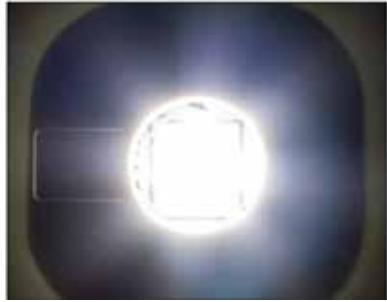
Prism glass reduces the glare whilst maintaining the lighting efficiency



Rubber gasket ensures protection in harsh and hostile environments. IP65 Rating



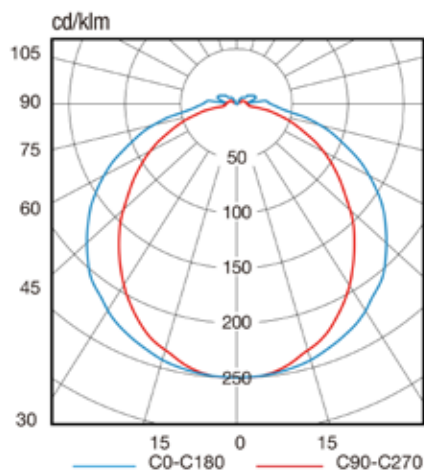
LED chips, increase lighting efficiency with excellent CRI & Longer Life



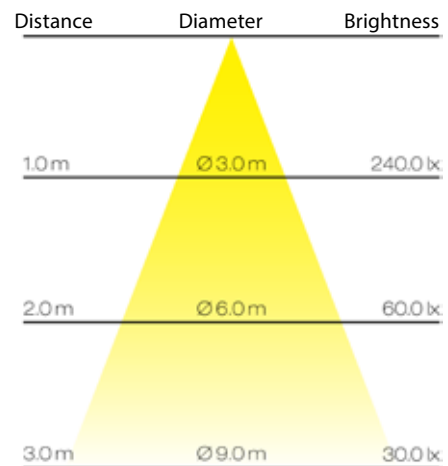
Light Sensor optional

PRODUCT CODE	PRODUCT NAME	POWER WATTS	LUMENS	CRI	CCT (K)	BEAM ANGLE	INPUT	BODY	DIFFUSER
SVS700	STANDARD	10	700	80	4000	120°	220VAC – 50/60Hz	DIE-CAST Aluminium	Polycarbonate
SVSS700	SENSOR	10	700	80	4000	120°	220VAC – 50/60Hz	DIE-CAST Aluminium	Polycarbonate
SVSE700	EMERGENCY	10	700	80	4000	120°	220VAC – 50/60Hz	DIE-CAST Aluminium	Polycarbonate
SVSSE700	SENSOR+EMERGENCY	10	700	80	4000	120°	220VAC – 50/60Hz	DIE-CAST Aluminium	Polycarbonate
SVS1400	STANDARD	20	1400	80	4000	120°	220VAC – 50/60Hz	DIE-CAST Aluminium	Polycarbonate
SVSS1400	SENSOR	20	1400	80	4000	120°	220VAC – 50/60Hz	DIE-CAST Aluminium	Polycarbonate
SVSE1400	EMERGENCY	20	1400	80	4000	120°	220VAC – 50/60Hz	DIE-CAST Aluminium	Polycarbonate
SVSSE1400	SENSOR+EMERGENCY	20	1400	80	4000	120°	220VAC – 50/60Hz	DIE-CAST Aluminium	Polycarbonate

20W Photometric



20W Photometric



Aldridge Traffic Systems Pty Ltd

Unit 38, 38-46 South Street
Rydalmere NSW 2116

www.trafficltd.com.au

NSW

P: +61 2 9736 3677
F: +61 2 9736 3391
e: info@trafficltd.com.au

NT

P: +61 8 8947 0733
F: +61 8 8947 0713
e: info@trafficltd.com.au

QLD

P: +61 7 3184 2000
F: +61 7 3266 2244
e: info@trafficltd.com.au

VIC

P: +61 3 9430 0222
F: +61 3 9430 0244
e: info@trafficltd.com.au

ACT

P: +61 2 6299 7922
F: +61 2 6299 7977
e: info@trafficltd.com.au

TAS

P: +61 3 6273 1177
F: +61 3 6273 1759
e: info@trafficltd.com.au

SA

P: +61 8 8362 2385
e: info@trafficltd.com.au

WA

P: +61 8 9248 1002
F: +61 8 9209 2288
e: info@trafficltd.com.au

UNITED KINGDOM

P: +44 (0) 1159 223 797
F: +44 (0) 1159 223 836
e: info@aldridgetraffic.co.uk



Accreditation No.
10378

