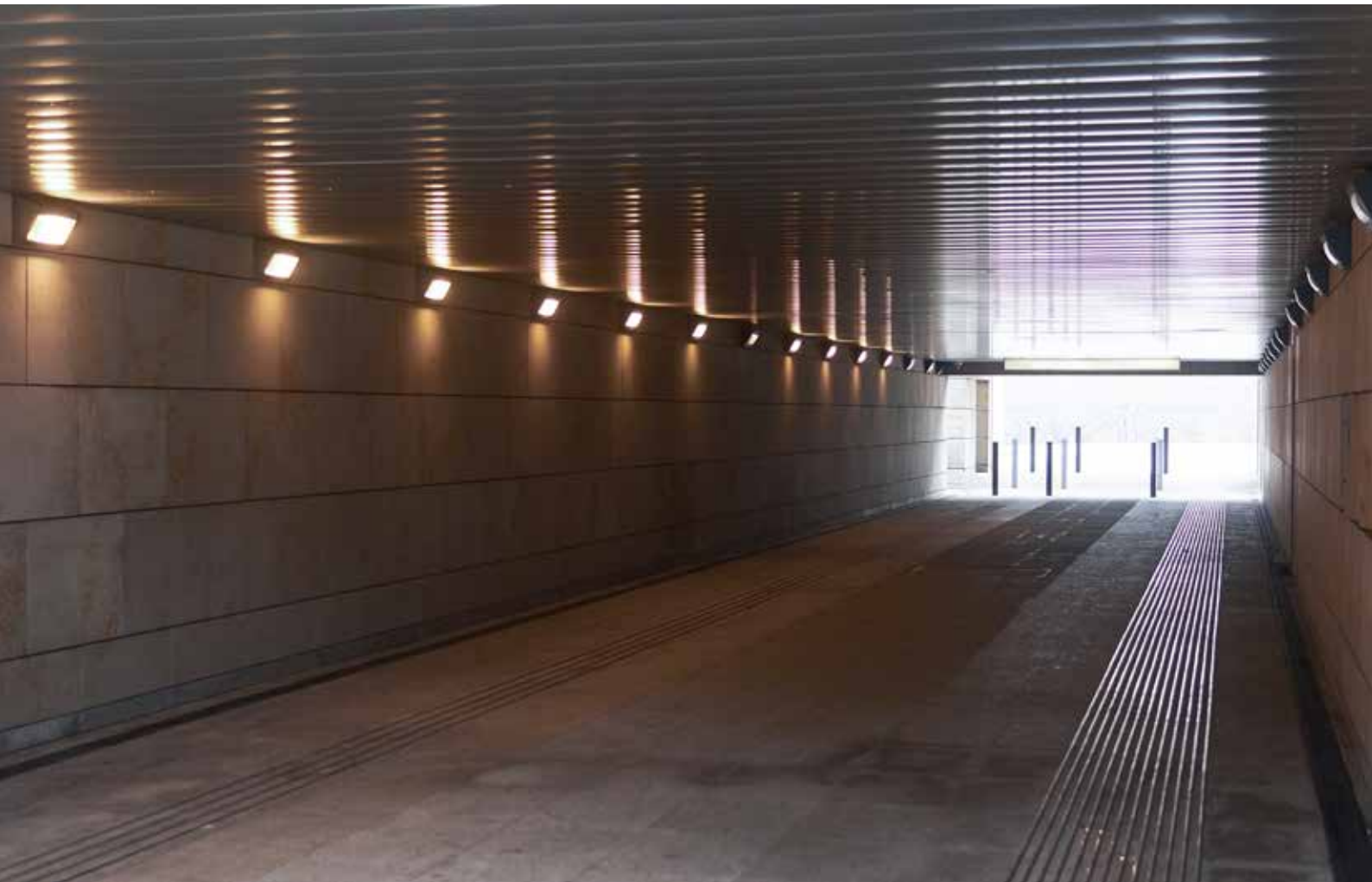


# ALDRIDGE

## Resilience



Vandal Proof, Weather Resistant LED Lighting

# Resilience

## Vandal Proof, Weather Resistant LED Lighting

Designed in the UK, the Resilience luminaire collection is designed and manufactured specifically to withstand the harshest of environments and vandal prone locations.

With an IP65 rating, and impact rating from IK14 – IK20, Resilience luminaires are suitable for both interior and exterior installations, including anti-ligature options for secure establishments.

Aldridge Resilience LED lights come in a wide range of lumens, wattages, shapes and sizes to suit the most demanding locations.

-  URBAN LIGHTING
-  SOCIAL HOUSING
-  LOCAL AUTHORITY
-  TRANSPORT
-  SECURE ESTABLISHMENTS
-  RETRO-FIT REPLACEMENT LED GEAR TRAYS

# Resilience Collection



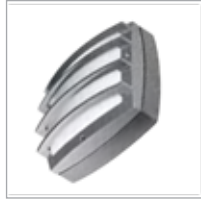
**SANDON**  
Page 4



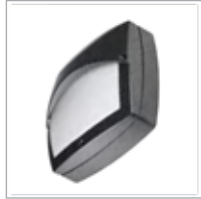
**SANDON 45**  
Page 5



**AVON**  
Page 6



**AVON GRILLE**  
Page 6



**AVON HOOD**  
Page 6



**EPPING**  
Page 7



**EPPING GRILLE**  
Page 7



**EPPING HOOD**  
Page 7



**BOLTON**  
Page 8



**BOLTON ANTI-LIGATURE**  
Page 8



**RHYLL**  
Page 9



**RHYLL ANTI-LIGATURE**  
Page 9



**TRENT**  
Page 10



**TRENT 45**  
Page 11



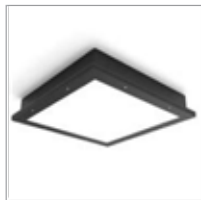
**LOGAN ANTI-LIGATURE**  
Page 12



**LOGAN 45 ANTI-LIGATURE**  
Page 13



**LOGAN COMPACT**  
Page 14



**LOGAN SQUARE**  
Page 15



**WARNE**  
Page 16



**YERRING**  
Page 17



**BARKLEY**  
Page 18



**BARKLEY 45**  
Page 19



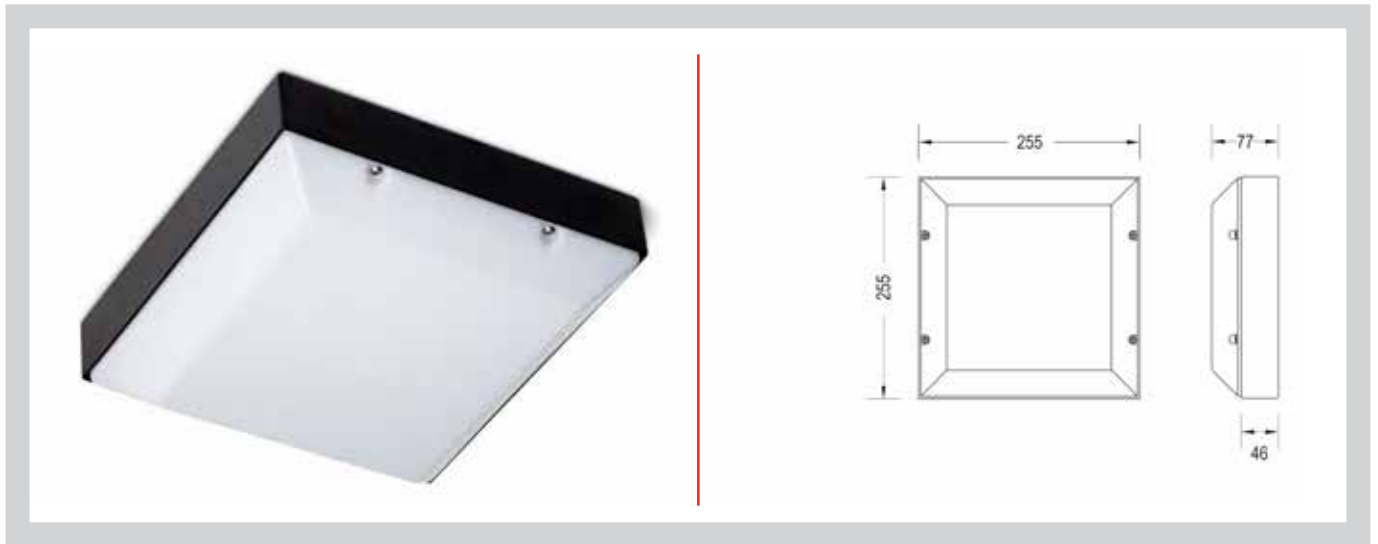
**RICHMOND**  
Page 20



**MODIFICATION OPTIONS**  
Page 21-23

# SANDON

## SQUARE LED BULKHEAD



Sandon square bulkhead developed with LED at the forefront of its design, combining high performance, strength and durability.

- Body manufactured in zinc coated steel.
- 3mm opal polycarbonate diffuser secured by anti-tamper fixings.
- Available in 3 lumen levels: 1420, 1950 and 2200lm.
- On-site switchable output version is available.

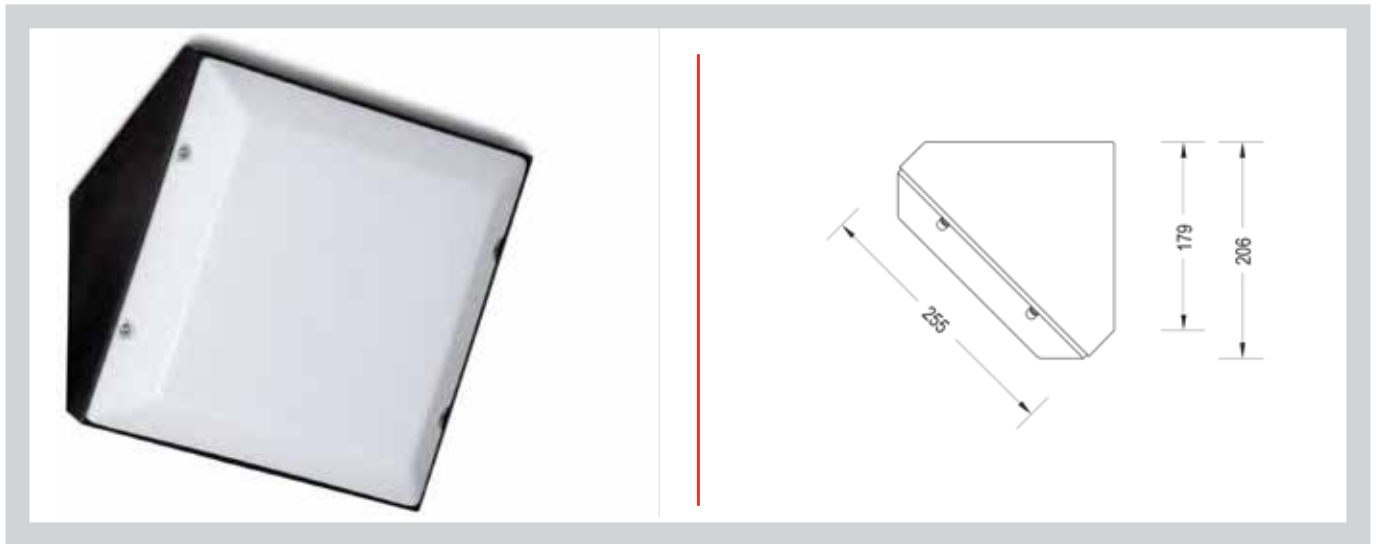
PRODUCT CODE	LUMENS	WATTAGE
SAN1420	1420	11.5W
SAN1950	1950	17W
SAN2200	2200	21W

- **CCT:** 4000K
- **Finish:** Painted Textured Black
- **IP:** 65
- **IK:** 14

Technical modifications available, see page 22 for details.

# SANDON 45

## ANGLED LED BULKHEAD



Wall mount angled bulkhead developed with LED at the forefront of its design, combining high performance, strength and durability.

- Body manufactured in zinc coated steel.
- 3mm opal polycarbonate diffuser secured by anti-tamper fixings.
- Available in 3 lumen levels: 1420, 1950 and 2200lm.
- On-site switchable output version is available.

PRODUCT CODE	LUMENS	WATTAGE
SAN451420	1420	11.5W
SAN451950	1950	17W
SAN452200	2200	21W

- **CCT:** 4000K
- **Finish:** Painted Textured Black
- **IP:** 65
- **IK:** 14

Technical modifications available, see page 22 for details.

# AVON

## SQUARE LED ARCHITECTURAL BULKHEAD



AVON GRILLE



AVON HOOD

Square architectural bulkhead with aesthetics and LED performance at the forefront of its design. Great lines, high performance, strength and durability make Avon the perfect choice.

- Die cast aluminium body.
- Frame finished in matt black.
- 3mm opal injection moulded polycarbonate diffuser secured by anti-tamper fixings.
- Also available with aluminium grille or hood.
- Available in 3 lumen levels: 1420, 1950 and 2200lm.
- On-site switchable output version is available.

PRODUCT CODE	LUMENS	WATTAGE
AVN1420	1420	11.5W
AVN1950	1950	17W
AVN2200	2200	21W

- **CCT:** 4000K
- **Finish:** Painted Matt Black
- **IP:** 65
- **IK:** 18

Technical modifications available, see page 22 for details.

# EPPING

## CIRCULAR LED ARCHITECTURAL BULKHEAD



EPPING GRILLE



EPPING HOOD

Circular architectural bulkhead with aesthetics and LED performance at the forefront of its design. Great lines, high performance, strength and durability make Epping the perfect choice.

- Die cast aluminium body.
- Frame finished in matt black.
- 3mm opal injection moulded polycarbonate diffuser secured by anti-tamper fixings.
- Also available with aluminium grille or hood.
- Available in 3 lumen levels: 1420, 1950 and 2200lm.
- On-site switchable output version is available.

PRODUCT CODE	LUMENS	WATTAGE
EPP1420	1420	11.5W
EPP1950	1950	17W
EPP2200	2200	21W

- **CCT:** 4000K
- **Finish:** Painted Matt Black
- **IP:** 65
- **IK:** 18

Technical modifications available, see page 22 for details.

# BOLTON

## STRONG CIRCULAR LED FITTING



Round bulkhead developed with LED at the forefront of its design. Steel spun body and diffuser frame with rear fixing holes.

- 3mm opal polycarbonate diffuser secured by anti-tamper fixings.
- Anti-ligature version is available.
- Available in 4 lumen levels: 1420, 1950, 2200 and 3000lm.
- On-site switchable output version is available.

PRODUCT CODE	LUMENS	WATTAGE
BOL1420	1420	11.5W
BOL1950	1950	17W
BOL2200	2200	21W
BOL3000	3000	27W

- **CCT:** 4000K
- **Finish:** Painted RAL9010
- **IP:** 65
- **IK:** 20

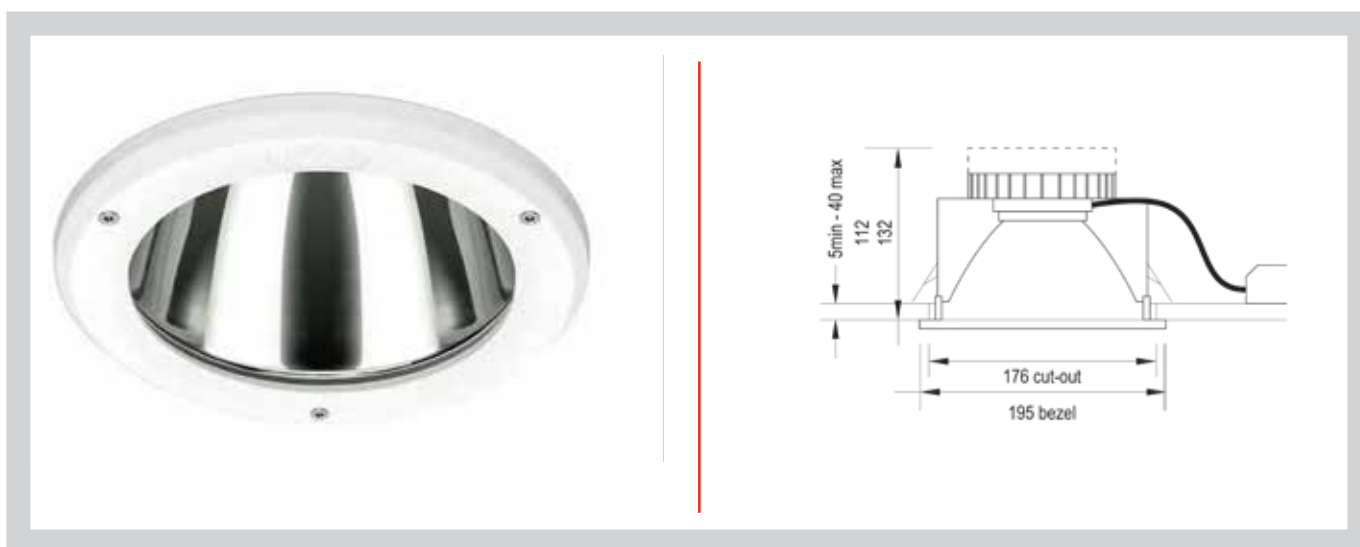
Technical modifications available, see page 22 for details.





# RHYLL

## CIRCULAR LED DOWNLIGHTER



- Steel body and highly specular reflector.
- 3mm opal polycarbonate panel housed within a die cast aluminium bezel secured by anti-tamper fixings.
- Supplied with 500mm supply lead.
- Clear panel available — add suffix 'CPP' to the Product Code.
- Available in 3 lumen levels: 1150, 1975, and 2900lm.
- Anti-Ligature version is available.

PRODUCT CODE	LUMENS	WATTAGE
RHY1150	1150	10W
RHY1975	1975	17W
RHY2900	2900	26W

- **CCT:** 4000K
- **Finish:** Painted Smooth White
- **IP:** 65
- **IK:** 16

Technical modifications available, see page 22 for details.



# TRENT

STRONG, SLIM LED LUMINAIRE



Linear LED fitting with a contemporary design; slim, efficient & strong.

- Body manufactured in zinc coated steel.
- 3mm opal polycarbonate diffuser secured by anti-tamper fixings.
- Available in 3 lumen levels: 4500, 4900, and 5800lm.
- On-site switchable output version is available.

PRODUCT CODE	LUMENS	LENGTH	WATTAGE
TRE4500	4500	1200mm	35W
TRE4900	4900	1200mm	39W
TRE5800	5800	1200mm	48W

- **CCT:** 4000K
- **Finish:** Painted Textured Black
- **IP:** 65
- **IK:** 14

Technical modifications available, see page 22 for details.

# TRENT 45

STRONG, SLIM ANGLED LED LUMINAIRE



Angled linear LED fitting with a contemporary design; slim, efficient & strong.

- Body manufactured in zinc coated steel.
- 3mm opal polycarbonate diffuser secured by anti-tamper fixings.
- Available in 3 lumen levels: 4500, 4900, and 5800lm.
- On-site switchable output version is available.

PRODUCT CODE	LUMENS	LENGTH	WATTAGE
TRE454500	4500	1200mm	35W
TRE454900	4900	1200mm	39W
TRE455800	5800	1200mm	48W

- **CCT:** 4000K
- **Finish:** Painted Textured Black
- **IP:** 65
- **IK:** 14

Technical modifications available, see page 22 for details.

# LOGAN

## STRONG & DURABLE LED LINEAR LUMINAIRE



Super-slim 'tough brother' of the Trent, designed for installations where severe or prolonged attacks may occur.

- Body manufactured in zinc coated steel.
- 3mm opal polycarbonate diffuser secured by anti-tamper fixings.
- 620mm version is provided utilising a flat opal polycarbonate panel.
- Available in 6 lumen levels: 2250, 2450, 2900, 4500, 4900 and 5800lm.
- On-site switchable output version is available.
- Anti-ligature as standard when ceiling mounted.

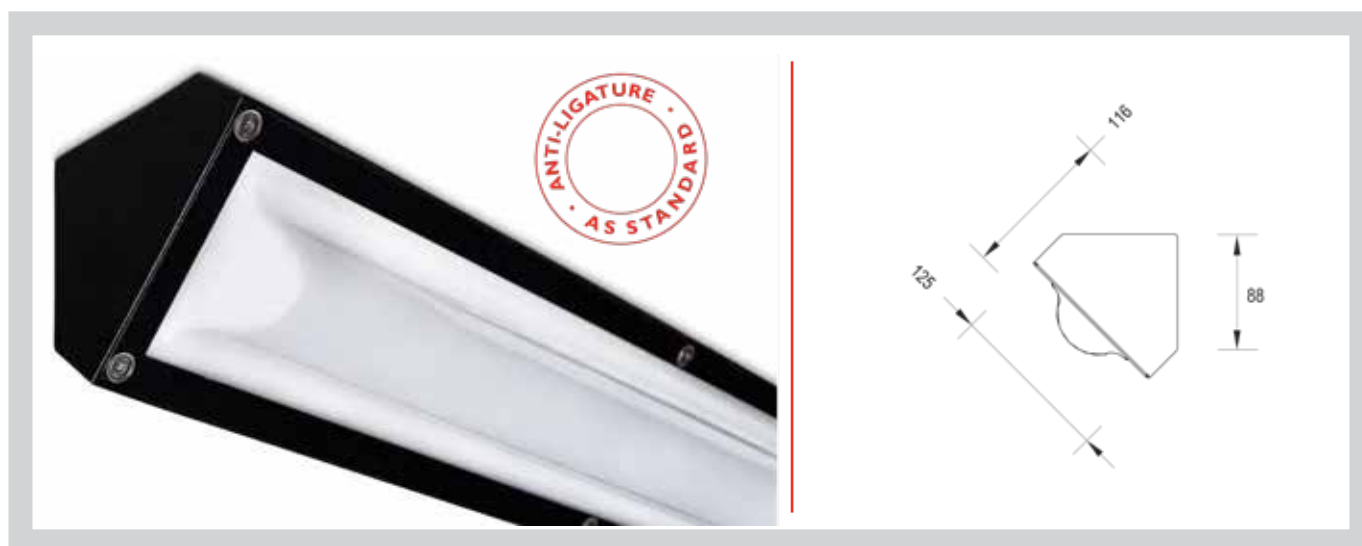
PRODUCT CODE	LUMENS	LENGTH	WATTAGE
LOG2250	2250	620mm	18W
LOG2450	2450	620mm	20.5W
LOG2900	2900	620mm	25W
LOG4500	4500	1200mm	35W
LOG4900	4900	1200mm	39W
LOG5800	5800	1200mm	48W

- **CCT:** 4000K
- **Finish:** Painted Textured Black
- **IP:** 65
- **IK:** 18

Technical modifications available, see page 22 for details.

# LOGAN 45

STRONG & DURABLE LED ANGLED LUMINAIRE



The 'tough brother' of the Trent 45, designed for installations where severe or prolonged attacks may occur.

- Angled body manufactured in zinc coated steel.
- 3mm opal polycarbonate diffuser secured by anti-tamper fixings.
- 620mm version is provided utilising a flat opal polycarbonate panel.
- Available in 6 lumen levels: 2250, 2450 2900, 4500, 4900 and 5800lm.
- On-site switchable output version is available.
- Anti-ligature as standard when cornice mounted.

PRODUCT CODE	LUMENS	LENGTH	WATTAGE
LOG452250	2250	620mm	18W
LOG452450	2450	620mm	20.5W
LOG452900	2900	620mm	25W
LOG454500	4500	1200mm	35W
LOG454900	4900	1200mm	39W
LOG455800	5800	1200mm	48W

- **CCT:** 4000K
- **Finish:** Painted Textured Black
- **IP:** 65
- **IK:** 18

Technical modifications available, see page 23 for details.

# LOGAN COMPACT

STRONG & DURABLE LED ANGLED LUMINAIRE



Designed for installations where severe or prolonged attacks may occur.

- 400mm compact 60°/30° angled body manufactured from zinc coated steel.
- 3mm opal polycarbonate flat panel secured by anti-tamper fixings.
- Available in 2 lumen levels: 4000 and 6000lm.

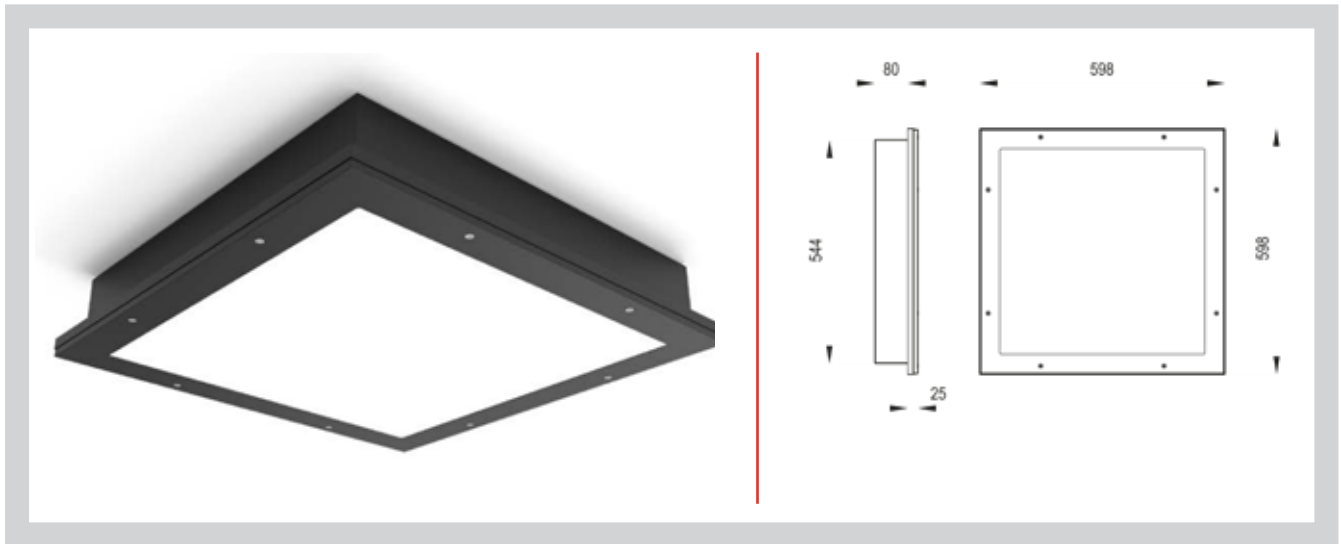
PRODUCT CODE	LUMENS	WATTAGE
LOGC4000	4000	32W
LOGC6000	6000	48W

- **CCT:** 4000K
- **Finish:** Painted Textured Black
- **IP:** 65
- **IK:** 18

Technical modifications available, see page 23 for details.

# LOGAN SQUARE

STRONG DURABLE RECESSED LUMINAIRE



- Square recessed body manufactured from zinc coated steel with upstand recess.
- Mounting through body sides to ceiling frame or through rear of body dependent on ceiling type.
- 3mm clear patterned polycarbonate flat panel secured by anti-tamper fixings.
- Available in 2 lumen levels: 6500 and 8000lm.

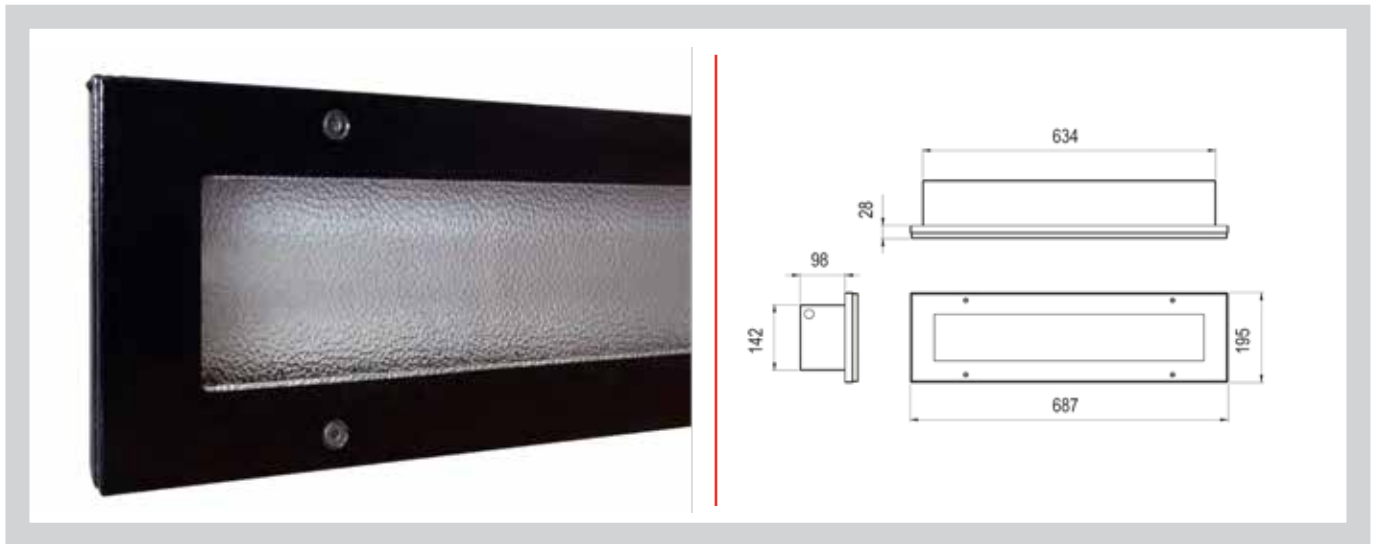
PRODUCT CODE	LUMENS	WATTAGE
LOGS6500	6500	49W
LOGS8000	8000	60W

- **CCT:** 4000K
- **Finish:** Painted Textured Black
- **IP:** 65
- **IK:** 16

Technical modifications available, see page 23 for details.

# WARNE

## STRONG & DURABLE LED RECESSED LUMINAIRE



Recessed linear LED fitting, unique upstand recessing flange, suitable for new installations or retrofitting into existing cavities where old lighting units have been removed.

- Body manufactured in zinc coated steel.
- 3mm clear patterned polycarbonate flat panel diffuser secured by anti-tamper fixings.
- Available in 4 lumen levels: 2250, 2450, 4500 and 4900lm.
- On-site switchable output version is available.

PRODUCT CODE	LUMENS	LENGTH	WATTAGE
WAR2250	2250	687 (634)mm	18W
WAR2450	2450	687 (634)mm	20.5W
WAR4500	4500	687 (634)mm	35W
WAR4900	4900	687 (634)mm	39W

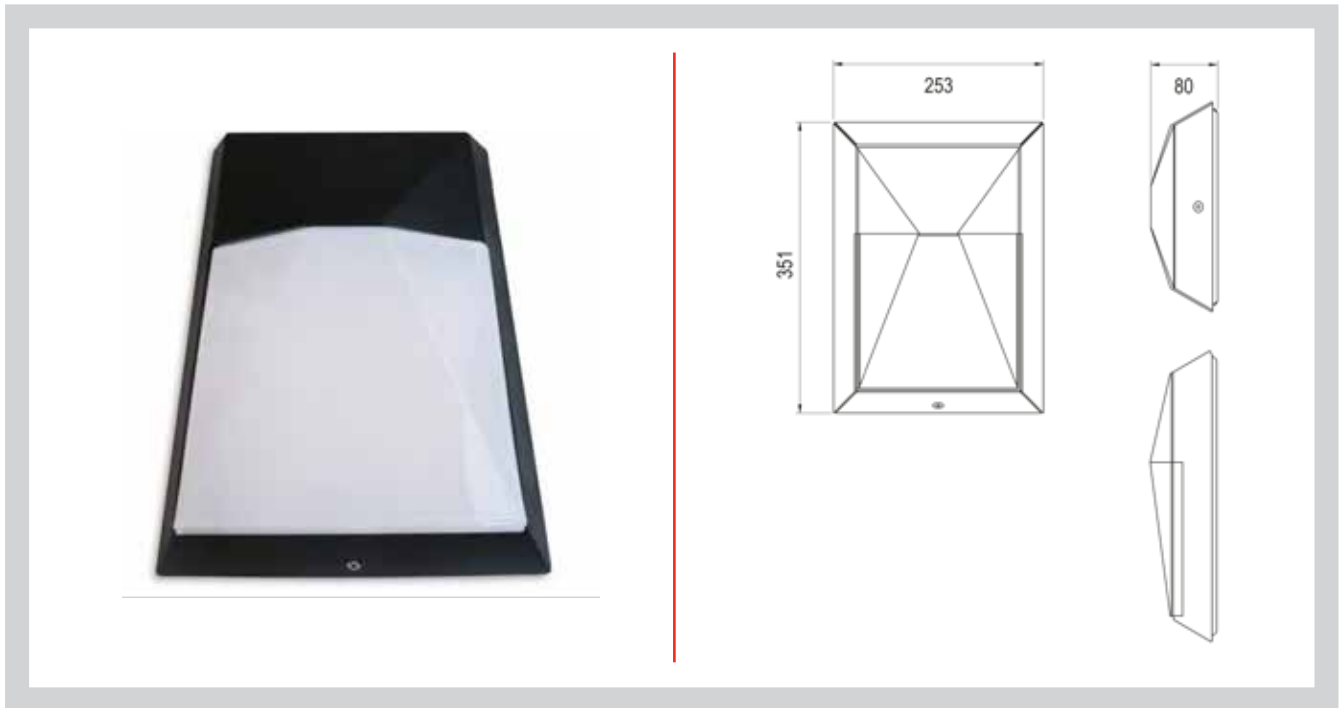
- **CCT:** 4000K
- **Finish:** Painted Textured Black
- **IP:** 65
- **IK:** 18

Technical modifications available, see page 23 for details.



# YERRING

## SLIMLINE WALL PACK



Slim wall mounted vandal and weather resistant LED fitting.

- Body manufactured in zinc coated steel.
- 3mm opal polycarbonate diffuser, secured by anti-tamper fixings.
- Available in 2 lumen levels: 3000 and 4000lm.

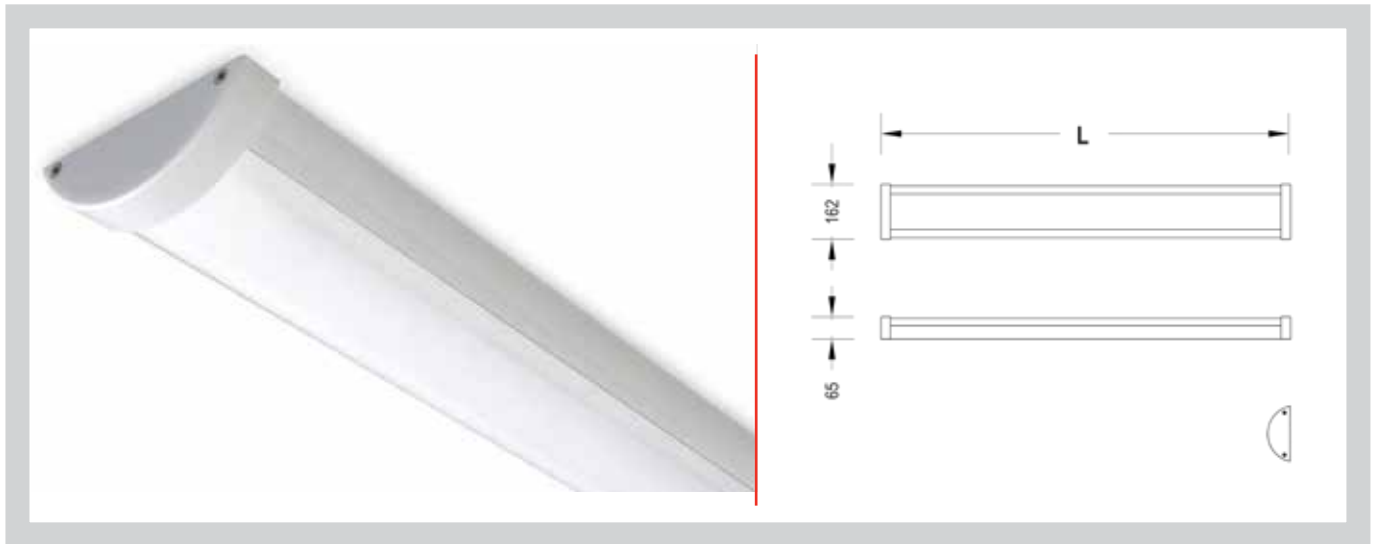
PRODUCT CODE	LUMENS	WATTAGE
YER3000	3000	22W
YER4000	4000	27W

- **CCT:** 4000K
- **Finish:** Painted Textured Black
- **IP:** 65
- **IK:** 14

Technical modifications available, see page 23 for details.

# BARKLEY

## SLIMLINE CURVED PROFILE LED LUMINAIRE



Linear LED fitting with a slim-line curved profile capable of continuous mounting (available with optional cable trunking system).

- Body manufactured in extruded aluminium.
- Machined aluminium end caps secured by anti-tamper fixings.
- 3mm opal polycarbonate control lens designed to achieve superior optical performance.
- Available in 6 lumen levels: 2250, 2450, 2900, 4500, 4900 and 5800lm.
- On-site switchable output version is available .

PRODUCT CODE	LUMENS	LENGTH	WATTAGE
BAR2250	2250	600mm	18W
BAR2450	2450	600mm	20.5W
BAR2900	2900	600mm	25W
BAR4500	4500	1200mm	35W
BAR4900	4900	1200mm	39W
BAR5800	5800	1200mm	48W

- **CCT:** 4000K
- **Finish:** Painted Smooth White
- **IP:** 65
- **IK:** 18

Technical modifications available, see page 23 for details.

# BARKLEY 45

## ANGLE CURVED PROFILE LED LUMINAIRE



Angled LED fitting with a slim-line curved profile capable of continuous mounting (cable runs can be housed within angled back body).

- Body in extruded aluminium, mounted on zinc coated steel angled bracket.
- Machined aluminium end caps secured by anti-tamper fixings.
- 3mm opal polycarbonate control lens designed to achieve superior optical performance.
- Available in 6 lumen levels: 2250, 2450, 2900, 4500, 4900 and 5800lm.
- On-site switchable output version is available .

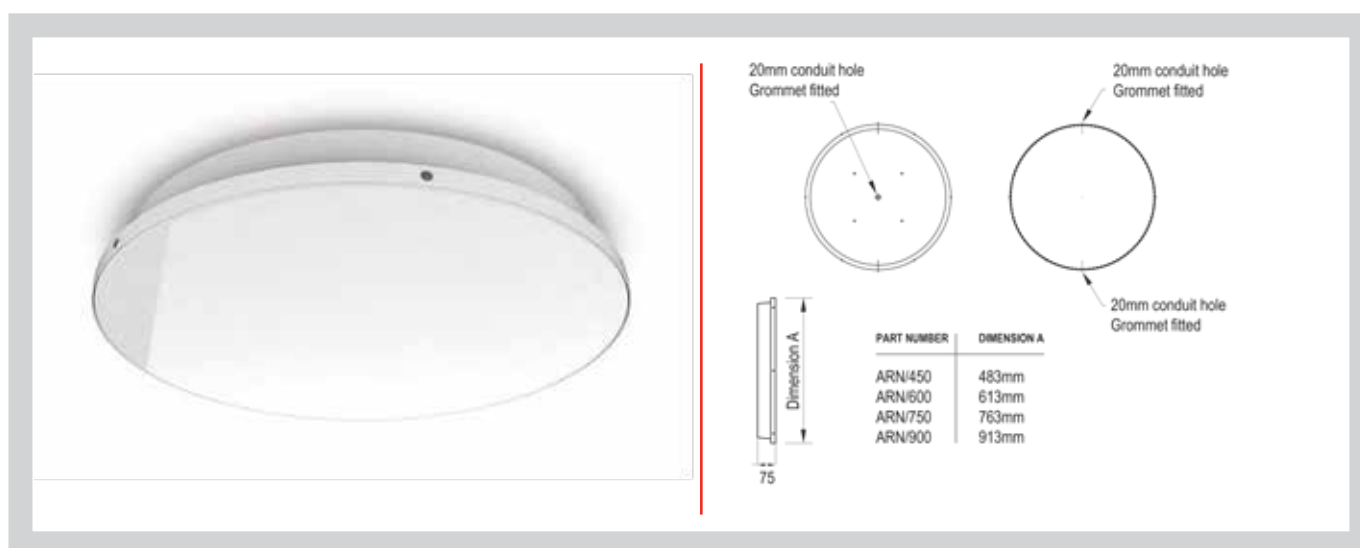
PRODUCT CODE	LUMENS	LENGTH	WATTAGE
BAR452250	2250	600mm	18W
BAR452450	2450	600mm	20.5W
BAR452900	2900	600mm	25W
BAR454500	4500	1200mm	35W
BAR454900	4900	1200mm	39W
BAR455800	5800	1200mm	48W

- **CCT:** 4000K
- **Finish:** Painted Smooth White
- **IP:** 65
- **IK:** 18

Technical modifications available, see page 23 for details.

# RICHMOND

## GYMNASIUM & GENERAL AREA LED LUMINAIRE



The Richmond is designed for gymnasiums and sports halls. This LED light offers tough protection against damage from ball games and accidental impact.

- LED's have high light output and run maintenance free.
- Tunable white available as an option – (600mm – 900mm diameter products only).
- Strong circular aluminium spun body.
- 3mm clear polycarbonate diffuser with LED liner or Opal LED.
- Diameters available: 450mm, 600mm, 750mm and 900mm.

PRODUCT CODE	LUMENS	DIAMETER	WATTAGE
RIC300045	3000	450mm	27W
RIC600060	6000	600mm	45W
RIC800060	8000	600mm	60W
RIC800075	8000	750mm	60W
RIC1000075	10000	750mm	76W
RIC1200090	12000	900mm	86W

- **CCT:** 4000K
- **Finish:** Painted Textured White
- **IP:** 65
- **IK:** 14

Technical modifications available, see page 23 for details.

## MODIFICATION OPTIONS

The Resilience range of fittings can be modified to suit your specific project needs. The table overleaf shows the most common modifications available. If you have a particular requirement which is not listed, please contact our sales team to discuss your project.



# MODIFICATION OPTIONS

DESCRIPTION	ADD SUFFIX	SANDON	SANDON 45	AVON	EPPING	BOLTON	RHYLL	TRENT	TRENT 45	LOGAN
SEMI-RECESSED	/SR	•						•		•
3 HOUR EMERGENCY	/EM3	•	•	•	•	•		•	•	•
CORRIDOR OPERATION	/COR	•	•	•	•	•		•	•	•
DALI DIMMING	/DALI	•	•	•	•	•	•	•	•	•
1-10V DIMMING	/10VD	•	•	•	•	•	•	•	•	•
CCT:3000K	/3000	•	•	•	•	•	•	•	•	•
PHOTOCELL	/PEC	•	•	•	•	•		•	•	•
SEPARATE CIRCUITS	/SEC							•	•	•
NIGHT LIGHT	/NIL	•	•	•	•	•		•	•	•
MICROWAVE SENSOR	/MW	•	•	•	•	•	REMOTE	•	•	•
SKI-SLOPE BODY	/MWB	•	•					•	•	•
STAINLESS STEEL	/SS	•	•					•	•	•
CABLE TRUNKING SYSTEM	/CMS									•†
ANTI-LIGATURE VERSION	/AL					•	•			STD**
PAINTED TEXTURED WHITE (RAL901)	/W	•	•	•	•	•	•	•	•	•
END CONDUIT ENTRY	/ECE	•	•	•	•			•	•	•
SWITCH DIM	/SW	•	•	•	•	•	•	•	•	•
GRILLE	/G			•	•					
HOOD	/H			•	•					
ON-SITE SWITCHABLE OUTPUT VERSION	/ADJ	•	•	•	•	•		•	•	•

† Increases overall depth of fitting.

\*\* Anti-ligature as standard when ceiling mounted.

Other colours available upon request, speak to our sales team.

DESCRIPTION	ADD SUFFIX	LOGAN 45	LOGAN COMPACT	LOGAN SQUARE	WARNE	YERRING	BARKLEY	BARKLEY 45	RICHMOND
SEMI-RECESSED	/SR			STD**	STD**				
3 HOUR EMERGENCY	/EM3	●	●	●	●	●	●	●	●
CORRIDOR OPERATION	/COR	●	●	●	●		●	●	●
DALI DIMMING	/DALI	●	●	●	●	●	●	●	●
1-10V DIMMING	/10VD	●	●	●	●	●	●	●	●
CCT:3000K	/3000	●	●	●	●	●	●	●	●
PHOTOCELL	/PEC	●	●			●	●	●	●
SEPARATE CIRCUITS	/SEC	●	●	●	●	●	●	●	
NIGHT LIGHT	/NIL	●	●	●	●		●	●	●
MICROWAVE SENSOR	/MW	●	●	●	●	●	●	●	●
SKI-SLOPE BODY	/MWB	●	●						
STAINLESS STEEL	/SS	●	●	●	●	●			
CABLE TRUNKING SYSTEM	/CMS	●†	●†				●†	●†	
ANTI-LIGATURE VERSION	/AL	STD**	STD**		●				
PAINTED TEXTURED WHITE (RAL9016)	/W	●	●	●	●	●			●
END CONDUIT ENTRY	/ECE	●	●		●		●	●	
SWITCH DIM	/SW	●	●	●	●		●	●	●
GRILLE	/G								
HOOD	/H								
ON-SITE SWITCHABLE OUTPUT VERSION	/ADJ	●			●		●	●	

† Increases overall depth of fitting.

\*\* Anti-ligature as standard when ceiling mounted.

Other colours available upon request, speak to our sales team.

## Aldridge Traffic Systems Pty Ltd

Unit 38, 38-46 South Street  
Rydalmere NSW 2116

[www.trafficltd.com.au](http://www.trafficltd.com.au)

### NSW

P: +61 2 9736 3677  
F: +61 2 9701 9900  
e: [info@trafficltd.com.au](mailto:info@trafficltd.com.au)

### NT

P: +61 8 8947 0733  
F: +61 8 8947 0713  
e: [info@trafficltd.com.au](mailto:info@trafficltd.com.au)

### QLD

P: +61 7 3184 2000  
F: +61 7 3266 2244  
e: [info@trafficltd.com.au](mailto:info@trafficltd.com.au)

### VIC

P: +61 3 9430 0222  
F: +61 3 9430 0244  
e: [info@trafficltd.com.au](mailto:info@trafficltd.com.au)

### ACT

P: +61 2 6299 7922  
F: +61 2 6299 7977  
e: [info@trafficltd.com.au](mailto:info@trafficltd.com.au)

### TAS

P: +61 3 6273 1177  
F: +61 3 6273 1759  
e: [info@trafficltd.com.au](mailto:info@trafficltd.com.au)

### SA

P: +61 8 8362 2385  
e: [info@trafficltd.com.au](mailto:info@trafficltd.com.au)

### WA

P: +61 8 9248 1002  
F: +61 8 9209 2288  
e: [info@trafficltd.com.au](mailto:info@trafficltd.com.au)

### UNITED KINGDOM

P: +44 (0) 1159 223 797  
F: +44 (0) 1159 223 836  
e: [info@aldridgetraffic.co.uk](mailto:info@aldridgetraffic.co.uk)



Accreditation No.  
10378

