

ALDRIDGE

P-LED II

LED Lighting for Residential Roads





Aldridge Roadway Lighting Solutions

LED street lights improve energy efficiency and energy affordability for local government, improve road safety and support the Government's smart cities agenda.

Aldridge Traffic Systems (ATS) design, manufacture and supply state-of-the-art vehicle and pedestrian LED lighting for major arterial roads, tunnels, underpasses, major intersections, low-traffic urban roads, public spaces, sports grounds and car parks.

With over 30 years experience, Aldridge has the technology and experience required to obtain the best illumination results for safe night time motoring in all road conditions. Together with energy cost savings which far exceed expectations, Aldridge provide a total lighting solution for the safety of motorists and pedestrians.

Aldridge have been supplying prominent roadway and pedestrian lighting projects throughout Australia and worldwide. Aldridge LED lighting systems use the latest technology through our smart city technology platform – TST, which can be customised to provide the most effective and efficient lighting schemes which comply with the requirements of Australian Standard AS/NZS1158 for both vehicle and pedestrian (V and P Categories).

Our design service utilises cutting edge technology along with NATA photometric data in order to provide the best solutions to meet the most stringent industry requirements.

Our experienced delivery team design, audit, deliver, install and maintain all facets of this exciting industry.

For a comprehensive guide to our lighting products please contact us to get our latest catalogue.

Residential Roads



P-LED

'P-LED' Installation, Tasmania



CCT
3000K
4000K

CRI
Ra > 80

IP65

IK06



CE



P-LED II

Embraces both high performance and functionality in design. An energy efficient road lighting luminaire. Designed with an advanced LED Optical System, that sets new standards for 'P' Category Roadway Lighting.

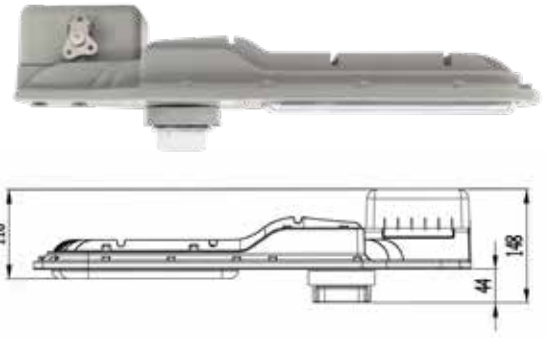
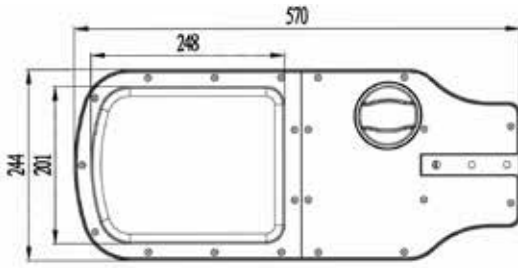
APPLICATIONS

- 'P' Category Roadways
- Suburban Roads
- Walkways
- Parks
- Including 'P4' & 'P5'
- Driveways
- Car Parks
- Security Lighting



ZHAGA, the next generation of Street Lighting Controller socket, is mounted onto our fittings and operated through a plug-and-play installation. It is the latest alternative, more compact DC connector, developed especially for today's contemporary designed LED light fittings. **Zhaga D4i Certified P-LED fittings** are future proof and available with both **Zhaga** and **NEMA** sockets. Developed according to a global lighting industry standard, **Zhaga** connectors can be deployed onto the P-LED range and integrated with our TST Smart City Solutions and DALI2.

Dimensions



Features

- SmartCity Ready - TST compatibility Zigbee, LoRa, NBLoT
- High Performance Street Lighting luminaire designed to meet stringent Australian/New Zealand standards
- High Performance Optics designed to comply and meet Australian standards AS 1158.3.1 Cat. P
- Direct replacement of conventional P-category Mercury Vapour, Metal Halide, High Pressure Sodium and Fluorescent luminaires
- Integrated thermal management
- Segregated termination chamber c/w quick access latch
- Self cleaning housing and PMMA optical diffuser
- Diffuser, Semi cut-off, Aeroscreen diffuser (AE)
- 7-pin Nema receptacle (7PN)
- 20 year design life
- 10 year warranty

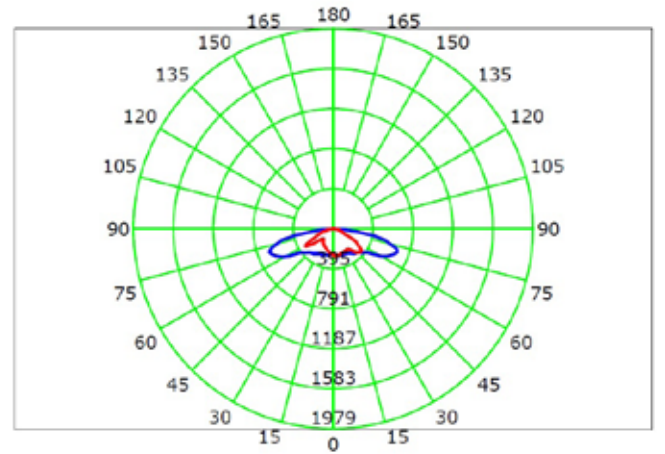
Options

- Controller:** Zhaga Book 18
- DALI-2, D4i**
- Zhaga:** Street Lighting Controller
- Fuse Terminal Block/FTB**
- Surge Protection Device/SPD20KVA**
- Class II/Double Insulated (DB)**
- Colour:** Grey (GR Standard), Black (BL), White (WH),
- CCT:** 3000 and 5000K (4000K Standard)
- Visor:** Glareshield/anti-spill light kit (GV)
- Diffuser:** Semi cut-off (SC), Aero screen diffuser (AE)

Technical Data

- Body:** High Pressure Marine Grade Die Cast Aluminum
- Optics:** P4 & P5 Distribution
- LED:** CREE
- Wattage:** 13 - 17 - 23 - 28 - 38 - 58 Watts
- Finishing:** Powder Coat Grey (Standard)
- Mounting:** 4 - 9 Metres
- Fixing:** Side Spigot mount (25-35mm NB) (42mm OD)
- IP rating:** IP66
- IK rating:** IK06
- Voltage:** 220V - 240V 50/60Hz
- Power Factor:** >0.9

Photometric Design Data



— C0-C180 — C90-C270

Unit: cd



Specification P-LED II

PRODUCT CODE	PLED.II.13W	PLED.II.14W	PLED.II.20W	PLED.II.30W	PLED.II.40W	PLED.II.60W
Photometric Distribution	P4 - P5	P4 - P5	P4 - P5	P4 - P5	P4 - P5	P4 - P5
Power Watts (W)	13W	17W	23W	28W	38W	58W
Input Voltage (V)	220V - 240V 50/60Hz	220V - 240V 50/60Hz	220V - 240V 50/60Hz	220V - 240V 50/60Hz	220V - 240V 50/60Hz	220V - 240V 50/60Hz
CCT (K)	3000K/ 4000K/ 5000K	3000K/ 4000K/ 5000K	3000K/ 4000K/ 5000K	3000K/ 4000K/ 5000K	3000K/ 4000K/ 5000K	3000K/ 4000K/ 5000K
CRI (Ra)	Ra>80	Ra>80	Ra>80	Ra>80	Ra>80	Ra>80
IP Protection	IP66	IP66	IP66	IP66	IP66	IP66
IK Protection	IK06	IK06	IK06	IK06	IK06	IK06
Weight (Kg)-max.	5kg	5kg	5kg	5kg	6.8kg	7.4kg

Residential Roads

TASMAN



PLED II



BERLIN



BOSTON SE



BOSTON TE



Highways and Major Roads

V-LED MKII



V-LED MKIII



BOSTON V



H-LED



E-LED



Residential Roads

COMO C



COMO P



COMO S



COMO T



FLAT S



FLAT M



FLAT L



Tunnels and Underpasses

T-LED



V-LED MKII



V-LED MKIII



FLUD S



FLUD M



FLUD L



FLUD X



S-LED





Aldridge Traffic Systems Pty Ltd

Unit 38, 38-46 South Street

Rydalmere NSW 2116

www.trafficltd.com.au

Before and After Installation - Hobart Tasmania

NSW

P: +61 2 9736 3677

F: +61 2 9736 3391

e: info@trafficltd.com.au

VIC

P: +61 3 9430 0222

F: +61 3 9430 0244

e: info@trafficltd.com.au

SA

P: +61 8 8362 2385

e: info@trafficltd.com.au

NT

P: +61 8 8947 0733

F: +61 8 8947 0713

e: info@trafficltd.com.au

ACT

P: +61 2 6299 7922

F: +61 2 6299 7977

e: info@trafficltd.com.au

WA

P: +61 8 9248 1002

F: +61 8 9209 2288

e: info@trafficltd.com.au

QLD

P: +61 7 3184 2000

F: +61 7 3266 2244

e: info@trafficltd.com.au

TAS

P: +61 3 6273 1177

F: +61 3 6273 1759

e: info@trafficltd.com.au

UNITED KINGDOM

P: +44 (0) 1159 223 797

F: +44 (0) 1159 223 836

e: info@aldridgetraffic.co.uk