

ALDRIDGE

LedWay



High Performance LED Bollard

LedWay Bollard Light

Aldridge adds the new LedWay Bollard Light to its range of lighting solutions. With superior performance, technology and compact size, the LedWay with its aesthetic good looks and longevity, will maximize your energy saving benefits.

The LedWay is suitable for wet locations and it's glare free to provide visual comfort, making it suitable for public spaces and private gardens.

The bollard body is constructed of high quality die-cast aluminium with a powder coating finish, making it resistant to oxidization and corrosion. The superior LED light source has long life use, low light depreciation, and high lighting efficiency. The high quality optical polycarbonate diffuser gives a symmetrical light with either 360° or 270° beam angle.

Benefits

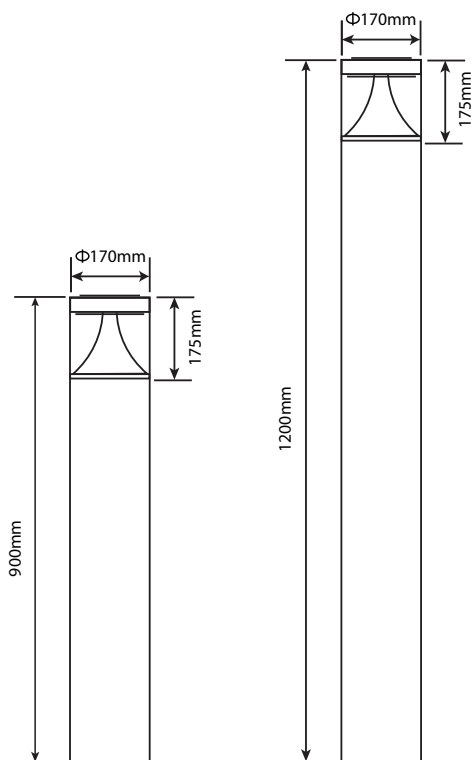
- Long lifetime and reliability
- Minimal glare
- 360°/270° beam angle
- Easy installation, surface mounted
- Energy saving

Applications

- Public Spaces
- Low Light Areas
- Pathways
- Gardens
- Walkways
- Security Lighting



Dimensions



Technical Data

- **Body:** Die Cast Aluminum
- **Height Options:** 900mm and 1200mm
- **Diameter:** 170mm
- **Optics:** 360°/270° Distribution
- **Wattage:** 15W, 20W, 24W and 30W
- **Finishing:** Powder Coat RAL9005 (Black Standard)
- **Fixing:** Surface Mount
- **IP rating:** IP65
- **IK rating:** IK10
- **CCT:** 4000 (standard), 3000K
- **Power Factor:** 0.9
- **Working Temp:** -20°C, +50°C
- **Diffuser** Clear Polycarbonate



Base (optional)



Anchor bolts (optional)



Specification LedWay

PRODUCT CODE	SYMMETRICAL				ASYMMETRICAL			
	LW.BOL II.15W.S	LW.BOL II.20W.S	LW.BOL II.24W.S	LW.BOL II.30W.S	LW.BOL II.15W.A	LW.BOL II.20W.A	LW.BOL II.24W.A	LW.BOL II.30W.A
Wattage (watts)	15	20	24	30	15	20	24	30
Input Voltage (V)	240	240	240	240	240	240	240	240
Beam Angle °	360°	360°	360°	360°	270°	270°	270°	270°
CCT (K)	4000	4000	4000	4000	4000	4000	4000	4000
CRI	>80	>80	>80	>80	>80	>80	>80	>80
IP Protection	IP65	IP65	IP65	IP65	IP65	IP65	IP65	IP65
IK Protection	IK10	IK10	IK10	IK10	IK10	IK10	IK10	IK10

ALDRIDGE

Aldridge Traffic Systems Pty Ltd

Unit 38 - 38-46 South Street

Rydalmere NSW 2116

www.trafficltd.com.au

NSW

P: +61 2 9701 9900
e: info@trafficltd.com.au

VIC

P: +61 3 9430 0222
e: info@trafficltd.com.au

SA

P: +61 3 9430 0266
e: info@trafficltd.com.au

NT

P: +61 8 8947 0733
e: info@trafficltd.com.au

ACT

P: +61 2 6299 7922
e: info@trafficltd.com.au

WA

P: +61 8 9248 1002
e: info@trafficltd.com.au

QLD

P: +61 7 3184 2000
e: info@trafficltd.com.au

TAS

P: +61 3 6273 1177
e: info@trafficltd.com.au

UNITED KINGDOM

P: +44 (0) 1159 223 797
e: info@aldrigetraffic.co.uk

