

# ALDRIDGE

## FLUD X (FLX)



Modular Flood Lighting System  
60W - 1200W



#### APPLICATIONS

- Pedestrian Crossings
- Sports fields & courts
- Indoor arenas
- Signage & Billboards
- Ports & Depots
- Building facades
- Heavy industrial

## FLUD X

Aldridge FLUD X is the latest generation, state-of-the-art flood lights with improved features and optics. Engineered with an industry leading fold fin thermal technology and designed for the high performance outdoor lighting.

# FLUD X



## Features and Benefits

- Up to 1200W and over 170,000 luminous flux, with system efficacy exceeding 140 lm/W.
- Slim profile offering best performance ratio for windage and weight.
- Unique, fold fin heatsink technology greatly reduces thermal density and maintains a low LED junction temperature
- Full range of optics for a wide variety of professional lighting applications
- Protective UV stabilized powder coated finish
- IP65 weather resistant
- 0-10V or DALI Dimming options and compatible with all leading lighting control systems



From the Brand You Know and Trust for Over 40 Years

## FLUD X Technical Specifications at a Glance

Description		FLX Series				
SMALL	Model Number SINGLE PCB	FLX-60W-T30	FLX-80W	FLX-100W	FLX-120W	FLX-150W-T30
	Typical System Power (W)	66	85	100	130	155
	Typical Luminous Flux	9,400	12,100	14,100	18,500	22,100
	Weight	4.2	5.9	5.9	7.2	7.2
MEDIUM	Model Number	FLX-200W	FLX-250W-T30	FLX-300W	FLX-350W	FLX-400W
	Typical System Power (W)	220	250	310	370	440
	Typical Luminous Flux	31,300	35,600	44,100	52,600	62,600
	Weight	8.2	8.9	11.1	12.3	12.3
LARGE	Model Number DOUBLE PCB	FLX-500W	FLX-600W	FLX-800W	FLX-1000W	FLX-1200W
	Typical System Power (W)	500	620	880	1000	1200
	Typical Luminous Flux	71,200	88,200	125,300	142,400	170,800
	Weight	21.5	22.2	21.5*	21.5*	25.3*
Light Source		Lumileds/Osram 5050				
Correlated Colour Temperature		4000K, (3000K, 5000K, 6500K available)				
Colour Rendering Index		>70 or (>80 optional)				
System Efficacy		135 – 143 Lm/W (depends on optics)				
Optics	Round: 20° x 20° 30° x 30° 60° x 60°					
	Square: 60° x 60° 90° x 90°					
	Asymmetric: 45° x 145° 70° x 145° 60° x 90° 60° x 135°					
	Ultra Asymmetric: 45° x 145° 60°x140°					
Driver		Meanwell				
Input Voltage Range		90 – 305VAC (347 – 480VAC optional)				
Power Factor		>0.9				
Ingress Protection (IP)		IP65				
Electrical Class		Class 1				
Dimming Control Optional		0-10V, DALI				
Ambient Operating Temperature		-40°C – +45°C				
Ambient Storage Temperature		-25°C to – 80°C				
Material		Die Cast Aluminium (Heatsink), Stainless Steel (Bracket)				
Optical Cover		Tempered Glass				
Finish		Black Powder Coating				
Ingress Protection (IP)		IP65				
Accessories						
Trunnion Bracket		Slip fitter options				
NEMA receptacle options		7-pin				

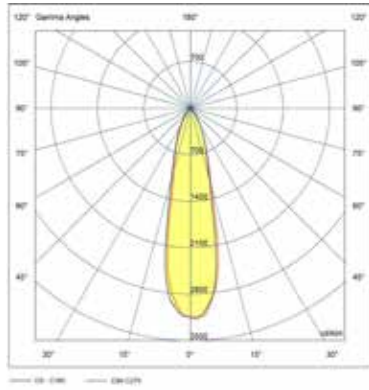
\* For FLX-800 and higher wattage, only remote driver configuration is available. Weight information is FIXTURE ONLY, drivers not included.

a) For 600W and below, all drivers are built into the fixture. Weight information includes the driver.

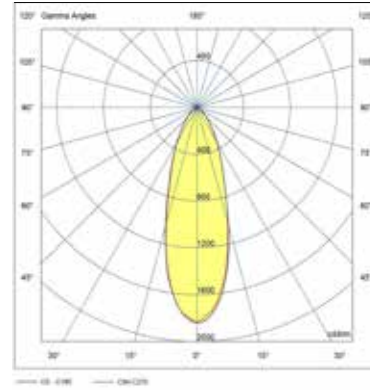
b) Above luminous flux are typical values, actual results can vary according to different optics. Please refer to the latest photometric files.

Photometrics

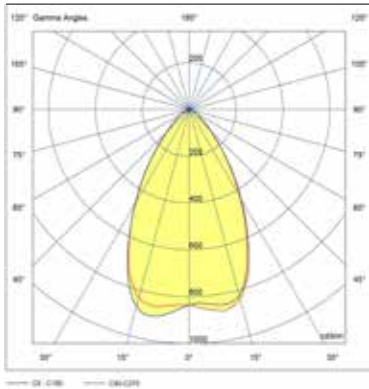
N020



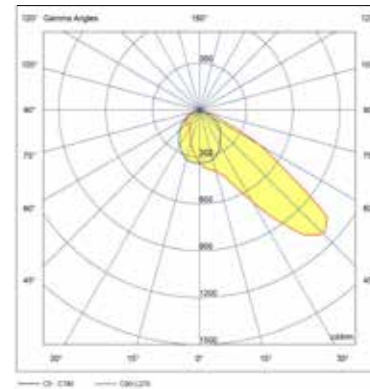
N030



N060

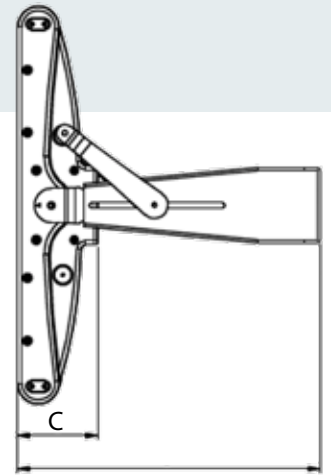
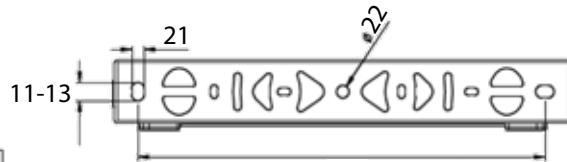
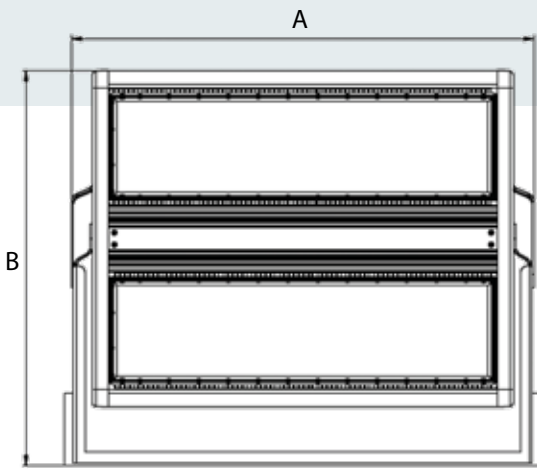
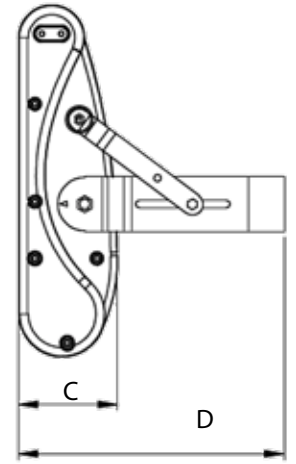
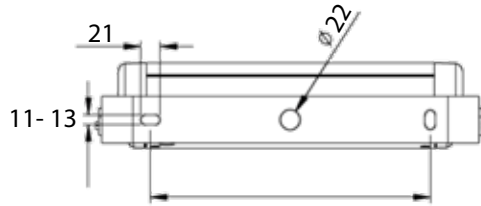
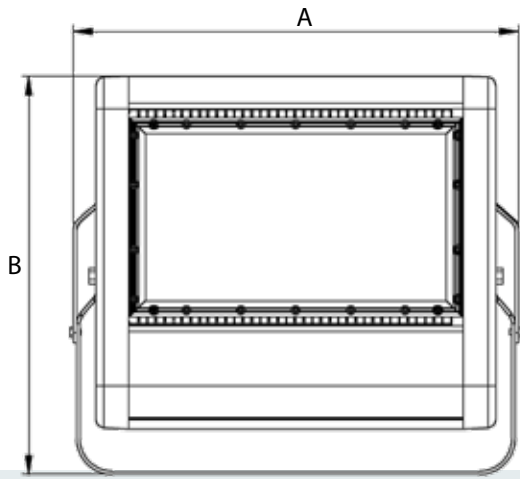


T30



Ordering Information

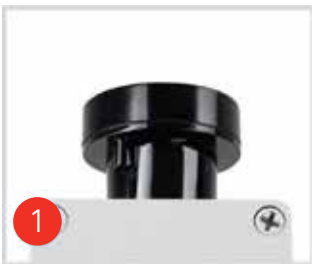
SIZE	Product ID	System Power	Colour Temp	CRI	Optics	Control	Finish
SMALL	FLX-60W-T30	060 = 60W	30K = 3000K	> 70 = min 70	Round (20° x 20°)	ND = Non-Dimmable VD = 0 – 10V Dimmable DD = DALI Dimmable	BL = Black
	FLX-80W	080 = 80W	40K = 4000K	> 80 = min 80	Round (30° x 30°)		
	FLX-100W	100 = 100W	50K = 5000K		Round (60° x 60°)		
	FLX-120W	120 = 120W	65K = 6500K		Square (60° x 60°)		
	FLX-150W-T30	150 = 150W			Square (90° x 90°)		
MEDIUM	FLX-200W	200 = 200W			Asymmetric (45° x 145°)		
	FLX-250W-T30	250 = 250W			Asymmetric (70° x 145°)		
	FLX-300W	300 = 300W			Asymmetric (60° x 90°)		
	FLX-350W	350 = 350W			Asymmetric (60° x 135°)		
	FLX-400W	400 = 400W			ULTRA Asymmetric (30°x95°)		
LARGE	FLX-500W	500 = 500W			ULTRA Asymmetric (60°x140°)		
	FLX-600W	600 = 600W					
	FLX-800W	800 = 800W					
	FLX-1000W	1000 = 1000W					
	FLX-1200W	1200 = 1200W					



	Model Number	Dimension A	Dimension B	Dimension C	Weight
SMALL	FLX-60W-T30	259mm	367mm	91mm	4.2
	FLX-80W	310mm	367mm	91mm	5.9
	FLX-100W	310mm	367mm	91mm	5.9
	FLX-120W	360mm	367mm	91mm	8.9
	FLX-150W-T30	360mm	367mm	91mm	7.2
MEDIUM	FLX-200W	411mm	367mm	91mm	7.2
	FLX-250W-T30	461mm	367mm	91mm	8.2
	FLX-300W	562mm	367mm	91mm	8.9
	FLX-350W	663mm	367mm	91mm	11.1
	FLX-400W	663mm	367mm	91mm	12.3
LARGE	FLX-500W	584mm	672mm	116mm	21.5
	FLX-600W	584mm	672mm	116mm	22.2
	FLX-800W	788mm	583mm	116mm	21.5
	FLX-1000W	788mm	583mm	116mm	21.5
	FLX-1200W	938mm	583mm	116mm	21.5



**PE CELL NEMA**



Equipped with 7 pin NEMA Connector



Fuse box with 10A fused terminal



Cockatoo-proof cabling

## Aldridge Traffic Systems Pty Ltd

Unit 38, 38-46 South Street  
Rydalmere NSW 2116

[www.trafficltd.com.au](http://www.trafficltd.com.au)

Before and After Installation - Hobart Tasmania

### NSW

P: +61 2 9736 3677  
F: +61 2 9736 3391  
e: [info@trafficltd.com.au](mailto:info@trafficltd.com.au)

### VIC

P: +61 3 9430 0222  
F: +61 3 9430 0244  
e: [info@trafficltd.com.au](mailto:info@trafficltd.com.au)

### SA

P: +61 8 8362 2385  
e: [info@trafficltd.com.au](mailto:info@trafficltd.com.au)

### NT

P: +61 8 8947 0733  
F: +61 8 8947 0713  
e: [info@trafficltd.com.au](mailto:info@trafficltd.com.au)

### ACT

P: +61 2 6299 7922  
F: +61 2 6299 7977  
e: [info@trafficltd.com.au](mailto:info@trafficltd.com.au)

### WA

P: +61 8 9248 1002  
F: +61 8 9209 2288  
e: [info@trafficltd.com.au](mailto:info@trafficltd.com.au)

### QLD

P: +61 7 3184 2000  
F: +61 7 3266 2244  
e: [info@trafficltd.com.au](mailto:info@trafficltd.com.au)

### TAS

P: +61 3 6273 1177  
F: +61 3 6273 1759  
e: [info@trafficltd.com.au](mailto:info@trafficltd.com.au)

### UNITED KINGDOM

P: +44 (0) 1159 223 797  
F: +44 (0) 1159 223 836  
e: [info@aldridgetraffic.co.uk](mailto:info@aldridgetraffic.co.uk)

