

# ALDRIDGE



## COMO Series



## LED Lighting for Residential Roads

---

# Aldridge Roadway Lighting Solutions

*LED street lights improve energy efficiency and energy afford-ability for local government, improve road safety and support the Government's smart cities agenda.*

Aldridge Traffic Systems design, manufacture and supply state-of-the-art vehicle and pedestrian LED lighting for major arterial roads, tunnels, underpasses, major intersections, low-traffic urban roads, public spaces, sports grounds and car parks. With over 30 years experience, Aldridge has the technology and experience required to obtain the best illumination results for safe night time motoring – in all road conditions. Together with energy cost savings which far exceed expectations, Aldridge provide a total lighting solution for the safety of motorists and pedestrians.

Aldridge have been supplying prominent roadway and pedestrian lighting projects throughout Australia and worldwide. Aldridge LED lighting systems use the latest technology through our smart city technology platform – TST, which can be customised to provide the most effective and efficient lighting schemes which comply with the requirements of Australian Standard AS/NZS1158 for both vehicle and pedestrian (V and P Categories).

Our design service utilises cutting edge technology along with NATA photometric data in order to provide the best solutions to meet the most stringent industry requirements.

Our experienced delivery team design, audit, deliver, install and maintain all facets of this exciting industry.

For a comprehensive guide to our lighting products please contact us for our latest catalogue.



An aerial photograph of a modern residential street. In the foreground, a sleek, dark grey street light fixture is shown from a low angle, looking down the road. The road is paved with reddish-brown bricks and has a white car parked on the side. There are lush green plants, including a large palm tree, and modern buildings with balconies in the background. The overall scene is bright and clear, suggesting a sunny day.

# COMO Series

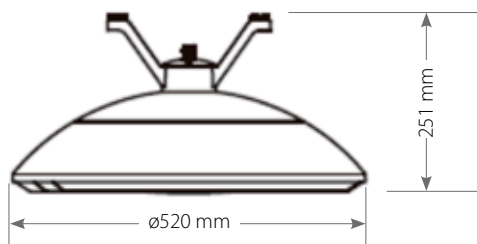
The COMO is an Energy Efficient, low profile, street and area lighting system.

A versatile range in four wattages and four mounting configurations, catenary, post top, side spigot and top spigot mount, to suit today's ever changing landscape and to withstand the test of time.

## APPLICATIONS

- 'P' Category Roadways
- Suburban Roads
- Walkways
- Parks
- Including 'P4' & 'P5'
- Driveways
- Car Parks
- Security Lighting

## Dimensions



## Features

- Designed to meet stringent Australian Standards
- Self cleaning housing and optical diffuser
- High Performance LED & Optics to meet AS/NZ1158
- Integrated thermal management
- Segregated termination point
- Hinged 'quick access latch'
- Complies with AS/NZ 1158.6 & AS/NZ 1158.1
- 10 year warranty

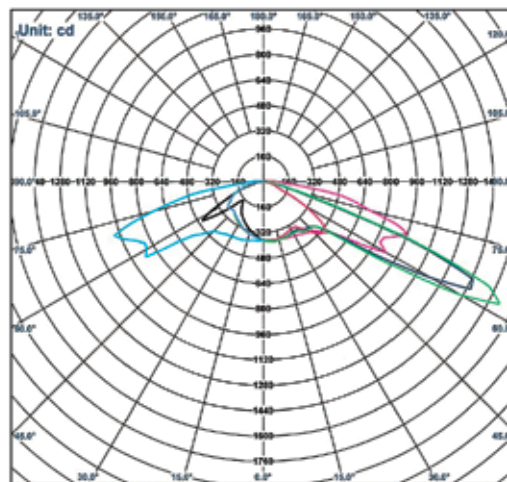
## Technical Data

- **Body:** High Pressure Marine Grade Die Cast Aluminum
- **Optics:** Type 3 Distribution
- **LED #:** CREE 24 - 48
- **Wattage:** 14 - 20 - 30 - 40 - 60 Watts
- **Finishing:** Powder Coat Grey (GR-Standard)
- **Mounting:** 4 - 9 Metres
- **Fixing:** Catenary Wire or Surface Mount
- **IP rating:** IP66
- **IK rating:** IK08
- **Voltage:** 240V 50/60Hz
- **Power Factor:** >0.9

## Options

- **Photocell:** 7-pin Nema receptacle (7PN)
- **Fuse Terminal Block:** (FTB)
- **Surge Protection Device:** (SPD - 10KVA, 20KVA)
- **Class II:** (DB - Double Insulated)
- **Colour:** Black (BL), Grey (GR-Standard)
- **CCT:** 3000K, **4000K (Standard)**, 5000K
- **Visor:** Glareshield/spill light kit (GV)

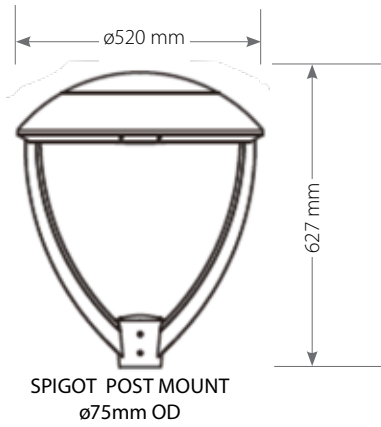
## Photometric Design Data



## Specification COMO-C

PRODUCT CODE	CM.C.14W	CM.C.20W	CM.C.30W	CM.C.40W	CM.C.60W
System Watts	17	23	27	37	57
Input Voltage (V)	240	240	240	240	240
Current Drive (mA)	215	215	215	280	360
CCT (K)	4000	4000	4000	4000	4000
CRI	Ra>80	Ra>80	Ra>80	Ra>80	Ra>80
IP Protection	IP66	IP66	IP66	IP66	IP66
IK Protection	IK08	IK08	IK08	IK08	IK08
Weight (Kg) - max.	12	12	12	12	12

Dimensions



Features

- Designed to meet stringent Australian Standards
- Self cleaning housing and optical diffuser
- High Performance LED and Optics to meet AS/NZ1158
- Integrated thermal management
- Segregated termination point
- Hinged 'quick access latch'
- Complies with AS/NZ 1158.6 & AS/NZ 1158.1
- 10 year warranty

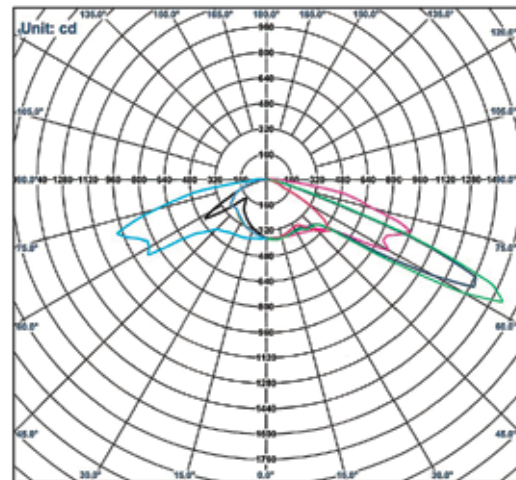
Options

- **Photocell:** 7-pin Nema receptacle (7PN)
- **Fuse Terminal Block:** (FTB)
- **Surge Protection Device:** (SPD - 10KVA, 20KVA)
- **Class II:** (DB - Double Insulated)
- **Colour:** Black (BL), Grey (GR-Standard)
- **CCT:** 3000K, **4000K (Standard)**, 5000K
- **Visor:** Glareshield/spill light kit (GV)

Technical Data

- **Body:** High Pressure Marine Grade Die Cast Aluminum
- **Optics:** Type 3 Distribution
- **LED #:** CREE 24 - 48
- **Wattage:** 14 - 30 - 50 - 60 - 70 - 80 Watts
- **Finishing:** Powder Coat Grey (GR-Standard)
- **Mounting:** 4 - 9 Metres
- **Fixing:** Post Mount
- **IP rating:** IP66
- **IK rating:** IK08
- **Voltage:** 240V 50/60Hz
- **Power Factor:** >0.9

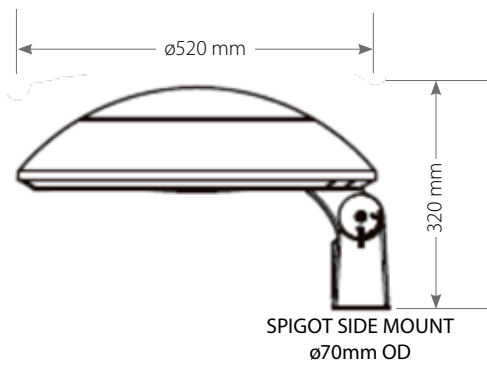
Photometric Design Data



Specification COMO-P

PRODUCT CODE	CM.P.14W	CM.P.30W	CM.P.50W	CM.P.60W	CM.P.70W	CM.P.80W
Power Watts	14	30	50	60	70	80
Input Voltage (V)	240	240	240	240	240	240
Current Drive (mA)	215	215	280	360	425	425
CCT (K)	4000	4000	4000	4000	4000	4000
CRI	Ra>80	Ra>80	Ra>80	Ra>80	Ra>80	Ra>80
IP Protection	IP66	IP66	IP66	IP66	IP66	IP66
IK Protection	IK08	IK08	IK08	IK08	IK08	IK08
Weight (Kg) - max.	12	12	12	12	12	12

## Dimensions



## Features

- Designed to meet stringent Australian Standards
- Self cleaning housing and optical diffuser
- High Performance LED and Optics to meet AS/NZ1158
- Integrated thermal management
- Segregated termination point
- Hinged 'quick access latch'
- Complies with AS/NZ 1158.6 & AS/NZ 1158.1
- 10 year warranty

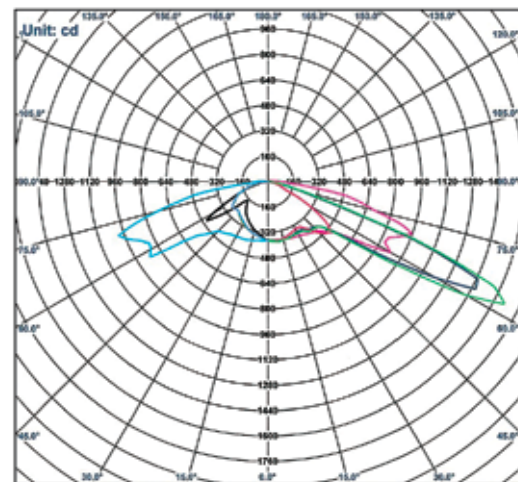
## Options

- **Photocell:** 7-pin Nema receptacle (7PN)
- **Fuse Terminal Block:** (FTB)
- **Surge Protection Device:** (SPD - 10KVA, 20KVA)
- **Class II:** (DB - Double Insulated)
- **Colour:** Black (BL), Grey (GR-Standard)
- **CCT:** 3000K, **4000K (Standard)**, 5000K
- **Visor:** Glareshield/spill light kit (GV)

## Technical Data

- **Body:** High Pressure Marine Grade Die Cast Aluminum
- **Optics:** Type 3 Distribution
- **LED #:** CREE 24 - 48
- **Wattage:** 14 - 30 - 50 - 60 - 70 - 80 Watts
- **Finishing:** Powder Coat Grey (GR-Standard)
- **Mounting:** 4 - 9 Metres
- **Fixing:** Side Mount
- **IP rating:** IP66
- **IK rating:** IK08
- **Voltage:** 240V 50/60Hz
- **Power Factor:** >0.9

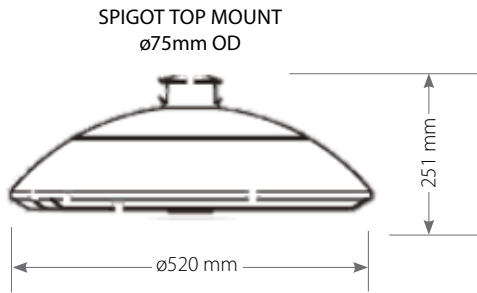
## Photometric Design Data



## Specification COMO-S

PRODUCT CODE	CM.S.14W	CM.S.30W	CM.S.50W	CM.S.60W	CM.S.70W	CM.S.80W
Power Watts	14	30	50	60	70	80
Input Voltage (V)	240	240	240	240	240	240
Current Drive (mA)	215	215	280	360	425	425
CCT (K)	4000	4000	4000	4000	4000	4000
CRI	Ra>80	Ra>80	Ra>80	Ra>80	Ra>80	Ra>80
IP Protection	IP66	IP66	IP66	IP66	IP66	IP66
IK Protection	IK08	IK08	IK08	IK08	IK08	IK08
Weight (Kg) - max.	12	12	12	12	12	12

## Dimensions



## Features

- Designed to meet stringent Australian Standards
- Self cleaning housing and optical diffuser
- High Performance LED & Optics to meet AS/NZ1158
- Integrated thermal management
- Segregated termination point
- Hinged 'quick access latch'
- Complies with AS/NZ 1158.6 & AS/NZ 1158.1
- 10 year warranty

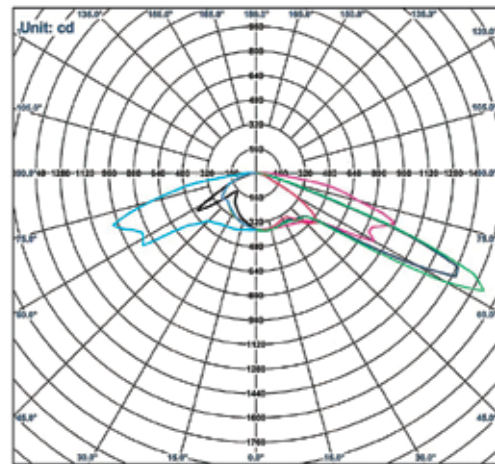
## Technical Data

- **Body:** High Pressure Marine Grade Die Cast Aluminum
- **Optics:** Type 3 Distribution
- **LED #:** CREE 24 - 48
- **Wattage:** 14 - 30 - 50 - 60 - 70 - 80 Watts
- **Finishing:** Powder Coat Grey (GR-Standard)
- **Mounting:** 4 - 9 Metres
- **Fixing:** Top Mount
- **IP rating:** IP66
- **IK rating:** IK08
- **Voltage:** 240V 50/60Hz
- **Power Factor:** >0.9

## Options

- **Photocell:** 7-pin Nema receptacle (7PN)
- **Fuse Terminal Block:** (FTB)
- **Surge Protection Device:** (SPD - 10KVA, 20KVA)
- **Class II:** (DB - Double Insulated)
- **Colour:** Black (BL), Grey (GR-Standard)
- **CCT:** 3000K, **4000K (Standard)**, 5000K
- **Visor:** Glareshield/spill light kit (GV)

## Photometric Design Data



## Specification COMO-T

PRODUCT CODE	CM.T.14W	CM.T.30W	CM.T.50W	CM.T.60W	CM.T.70W	CM.T.80W
Power Watts	14	30	50	60	70	80
Input Voltage (V)	240	240	240	240	240	240
Current Drive (mA)	215	215	280	360	425	425
CCT (K)	4000	4000	4000	4000	4000	4000
CRI	Ra>80	Ra>80	Ra>80	Ra>80	Ra>80	Ra>80
IP Protection	IP66	IP66	IP66	IP66	IP66	IP66
IK Protection	IK08	IK08	IK08	IK08	IK08	IK08
Weight (Kg) - max.	12	12	12	12	12	12



'Como P' Installation Gold Coast City Council





'Como P' Installation Henry Codd Reserve – Parkside SA

Residential Roads

TASMAN



PLED II



BERLIN



BOSTON SE



BOSTON TE



Highways and Major Roads

V-LED MKII



V-LED MKIII



BOSTON V



H-LED



E-LED



Residential Roads

COMO C



COMO P



COMO S



COMO T



FLAT S



FLAT M



FLAT L



Tunnels and Underpasses

T-LED



V-LED MKII



V-LED MKIII



FLUD S



FLUD M



FLUD L



FLUD X



S-LED





## Aldridge Traffic Systems Pty Ltd

Unit 38, 38-46 South Street  
Rydalmere NSW 2116

[www.trafficltd.com.au](http://www.trafficltd.com.au)

Before and After Installation - Hobart Tasmania

### NSW

P: +61 2 9701 9900

F: +61 2 9736 3391

e: [info@trafficltd.com.au](mailto:info@trafficltd.com.au)

### VIC

P: +61 3 9430 0222

F: +61 3 9430 0244

e: [info@trafficltd.com.au](mailto:info@trafficltd.com.au)

### SA

P: +61 8 8362 2385

e: [info@trafficltd.com.au](mailto:info@trafficltd.com.au)

### NT

P: +61 8 8947 0733

F: +61 8 8947 0713

e: [info@trafficltd.com.au](mailto:info@trafficltd.com.au)

### ACT

P: +61 2 6299 7922

F: +61 2 6299 7977

e: [info@trafficltd.com.au](mailto:info@trafficltd.com.au)

### WA

P: +61 8 9248 1002

F: +61 8 9209 2288

e: [info@trafficltd.com.au](mailto:info@trafficltd.com.au)

### QLD

P: +61 7 3184 2000

F: +61 7 3266 2244

e: [info@trafficltd.com.au](mailto:info@trafficltd.com.au)

### TAS

P: +61 3 6273 1177

F: +61 3 6273 1759

e: [info@trafficltd.com.au](mailto:info@trafficltd.com.au)

### UNITED KINGDOM

P: +44 (0) 1159 223 797

F: +44 (0) 1159 223 836

e: [info@aldridgetraffic.co.uk](mailto:info@aldridgetraffic.co.uk)



Accreditation No.  
10378

