



**ALDRIDGE**

**BERLIN**

**A TOUCH OF NOSTALGIA**

**STREET LIGHTING WITH  
TOMORROW'S TECHNOLOGY**

# BERLIN A TOUCH OF NOSTALGIA

**Aldridge Berlin** - The charm of the traditional suburb can be preserved whilst using the latest LED smart lighting technology with the Berlin by Aldridge. The Berlin is a classical shaped lantern designed for the suburban streets in heritage towns or to add a touch of nostalgia to older streetscapes in cities and towns.

The Berlin maintains a brilliant luminance with the latest energy efficient LEDs. The Berlin's lantern reflector design eliminates unwanted upward light, providing higher lumination at ground level. Providing local residents and drivers safe passage through the area whilst maintaining the charming street appeal.

The Berlin's luminaire body is constructed of high quality die-cast aluminium with a powder coating finish, making it resistant to oxidization and corrosion. The superior LED light source has long life use, low light depreciation, and high lighting efficiency.

## Benefits

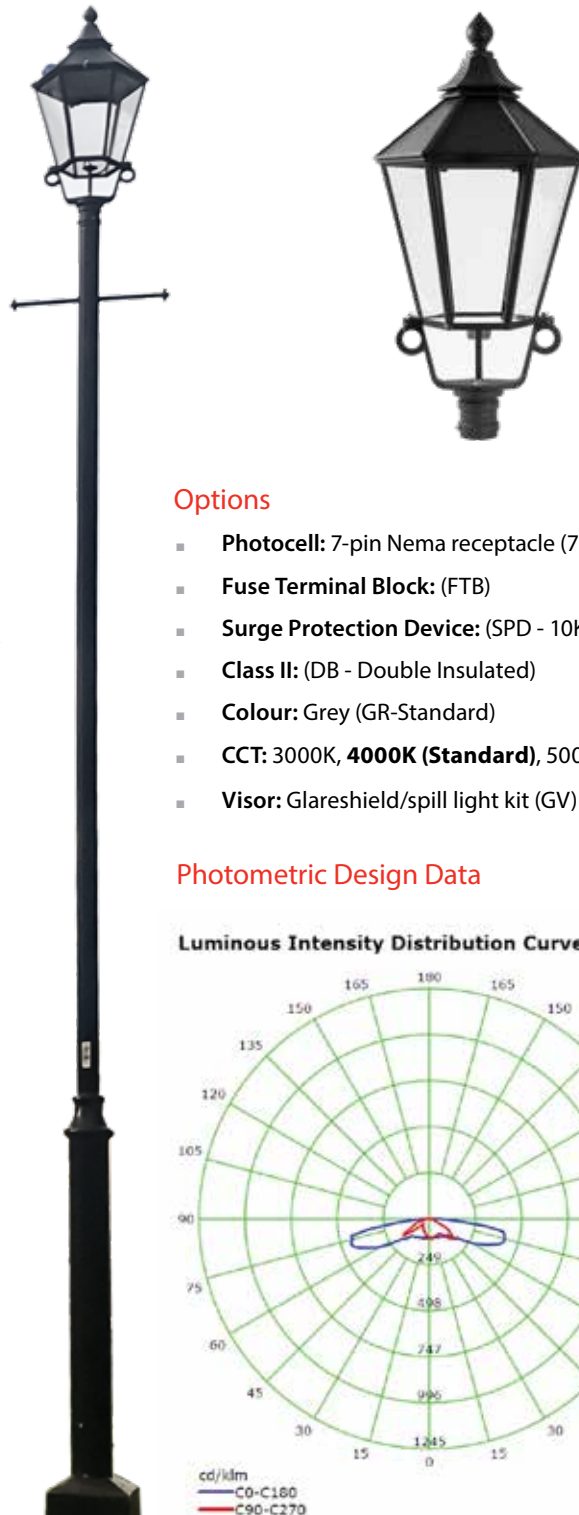
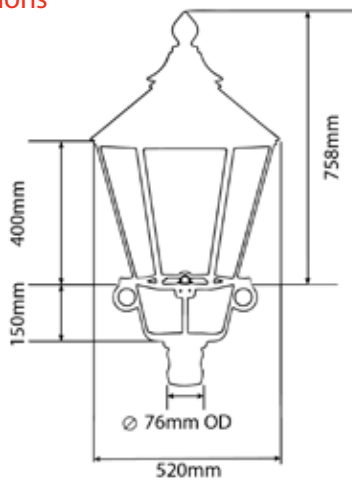
- Long lifetime and reliability
- Classical fitting
- Minimal glare
- 360°/270° beam angle
- Easy installation, surface mounted
- Energy saving
- 10 year Warranty

## Applications

- 'P' Category Roadways
- Suburban Roads
- Walkways
- Parks
- Including 'P4' & 'P5'
- Driveways



## Dimensions



## Features

- Designed to meet stringent Australian Standards
- Self cleaning housing and optical diffuser
- High Performance LED & Optics to meet AS/NZ1158
- Integrated thermal management
- Segregated termination point
- Hinged 'quick access latch'
- Complies with AS/NZ 1158.6 & AS/NZ 1158.1
- 10 year warranty

## Technical Data

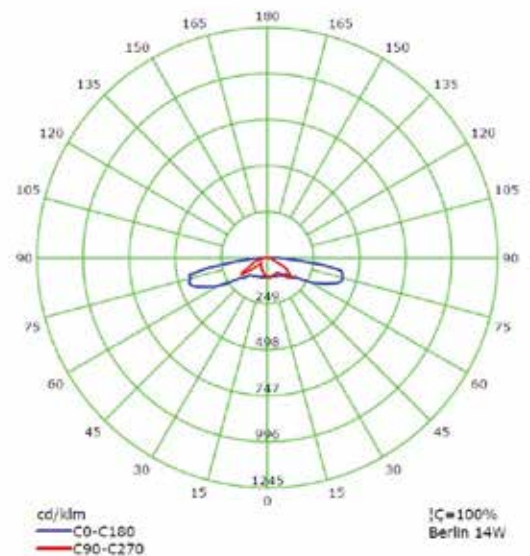
- Body:** High Pressure Die-cast aluminum (marine grade)
- LED #:** CREE
- Optics:** P4, P5
- Wattage:** 14 - 20 - 27 - 37 - 57 Watts
- Finishing:** Powder Coat
- Mounting:** 4 - 9 Metres
- Fixing:** Post Top Mount (76mm OD)
- IP rating:** IP66
- IK rating:** IK06
- Voltage:** 240V 50/60Hz
- Power Factor:** >0.9

## Options

- Photocell:** 7-pin Nema receptacle (7PN)
- Fuse Terminal Block:** (FTB)
- Surge Protection Device:** (SPD - 10KVA, 20KVA)
- Class II:** (DB - Double Insulated)
- Colour:** Grey (GR-Standard)
- CCT:** 3000K, **4000K (Standard)**, 5000K
- Visor:** Glareshield/spill light kit (GV)

## Photometric Design Data

Luminous Intensity Distribution Curve(cd/klm)



## Specification BERLIN

PRODUCT CODE	BER514	BER520	BER527	BER537	BER557
System Watts	17	23	27	37	57
Input Voltage	220V - 240V 50/60Hz	220V - 240V 50/60Hz	220V - 240V 50/60Hz	220V - 240V 50/60Hz	220V - 240V 50/60Hz
CCT (K)	4000	4000	4000	4000	4000
CRI	Ra>80	Ra>80	Ra>80	Ra>80	Ra>80
IP Protection	IP66	IP66	IP66	IP66	IP66
IK Protection	IK06	IK06	IK06	IK06	IK06
Weight (Kg)-max.	15kg	15kg	15kg	15kg	15kg

# ALDRIDGE

## Aldridge Traffic Systems Pty Ltd

Unit 38, 38-46 South Street  
Rydalmere NSW 2116

[www.trafficltd.com.au](http://www.trafficltd.com.au)

### NSW

P: +61 2 9736 3677

F: +61 2 9736 3391

e: [info@trafficltd.com.au](mailto:info@trafficltd.com.au)

### VIC

P: +61 3 9430 0222

F: +61 3 9430 0244

e: [info@trafficltd.com.au](mailto:info@trafficltd.com.au)

### SA

P: +61 8 8362 2385

e: [info@trafficltd.com.au](mailto:info@trafficltd.com.au)

### NT

P: +61 8 8947 0733

F: +61 8 8947 0713

e: [info@trafficltd.com.au](mailto:info@trafficltd.com.au)

### ACT

P: +61 2 6299 7922

F: +61 2 6299 7977

e: [info@trafficltd.com.au](mailto:info@trafficltd.com.au)

### WA

P: +61 8 9248 1002

F: +61 8 9209 2288

e: [info@trafficltd.com.au](mailto:info@trafficltd.com.au)

### QLD

P: +61 7 3184 2000

F: +61 7 3266 2244

e: [info@trafficltd.com.au](mailto:info@trafficltd.com.au)

### TAS

P: +61 3 6273 1177

F: +61 3 6273 1759

e: [info@trafficltd.com.au](mailto:info@trafficltd.com.au)

### UNITED KINGDOM

P: +44 (0) 1159 223 797

F: +44 (0) 1159 223 836

e: [info@aldridgetraffic.co.uk](mailto:info@aldridgetraffic.co.uk)



Accreditation No.  
10378

