

A modern residential building with balconies and a decorative LED street lamp in the foreground. The building is multi-story with a light-colored facade and glass railings on the balconies. In the foreground, there is a paved walkway, a small grassy area, and a black street lamp with a white, decorative top. The sky is blue with scattered white clouds. A red rectangular block is in the top left corner, and another red rectangular block is in the bottom left corner.

ALDRIDGE

Decorative LED Lighting
for Residential Roads and Open Areas

Aldridge Decorative Lighting Solutions

Introducing the new Aldridge Traffic Systems (ATS) decorative street lighting catalogue. Our latest range of energy-efficient LED lighting, delivers a safer environment for pedestrians, motorists and other road users.

These new decorative luminaires, provide a bright and reliable light source that serves to create inviting public spaces, whilst enhancing the character and functionality of the environment.

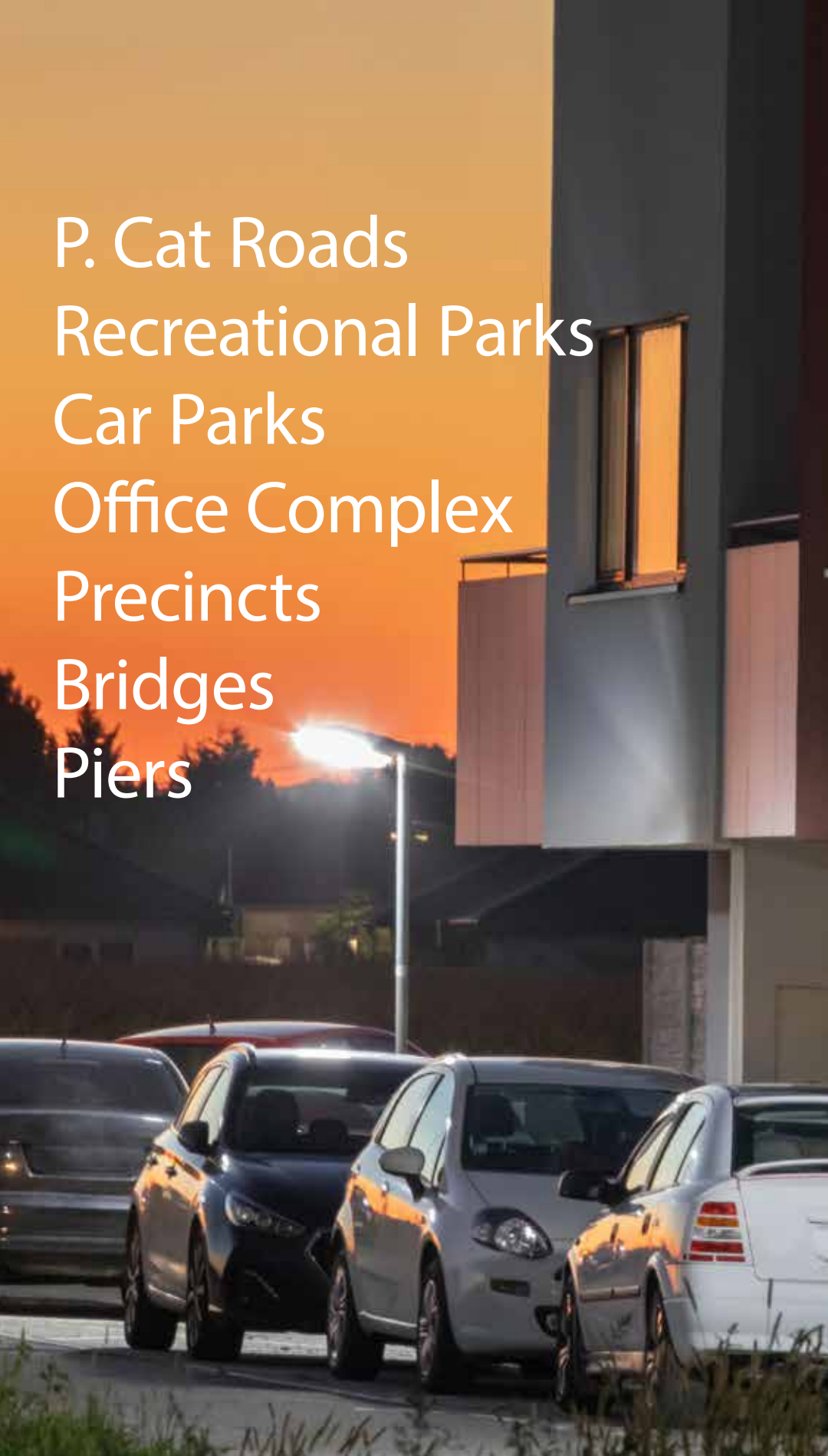
Designed to reflect the culture and history of the surrounding community, our lighting range includes contemporary luminaires to complement the architecture of modern developments, and traditional LED street lights for the older and established suburbs. Our decorative street lighting can highlight landmarks, historical sites and other points of interest, further enhancing the local character of the neighbourhood.

ATS LED luminaires deliver energy-efficiency and affordability for local councils, improve road safety, and support the Government's smart city agenda.

Contact our sales team to discuss your next project:

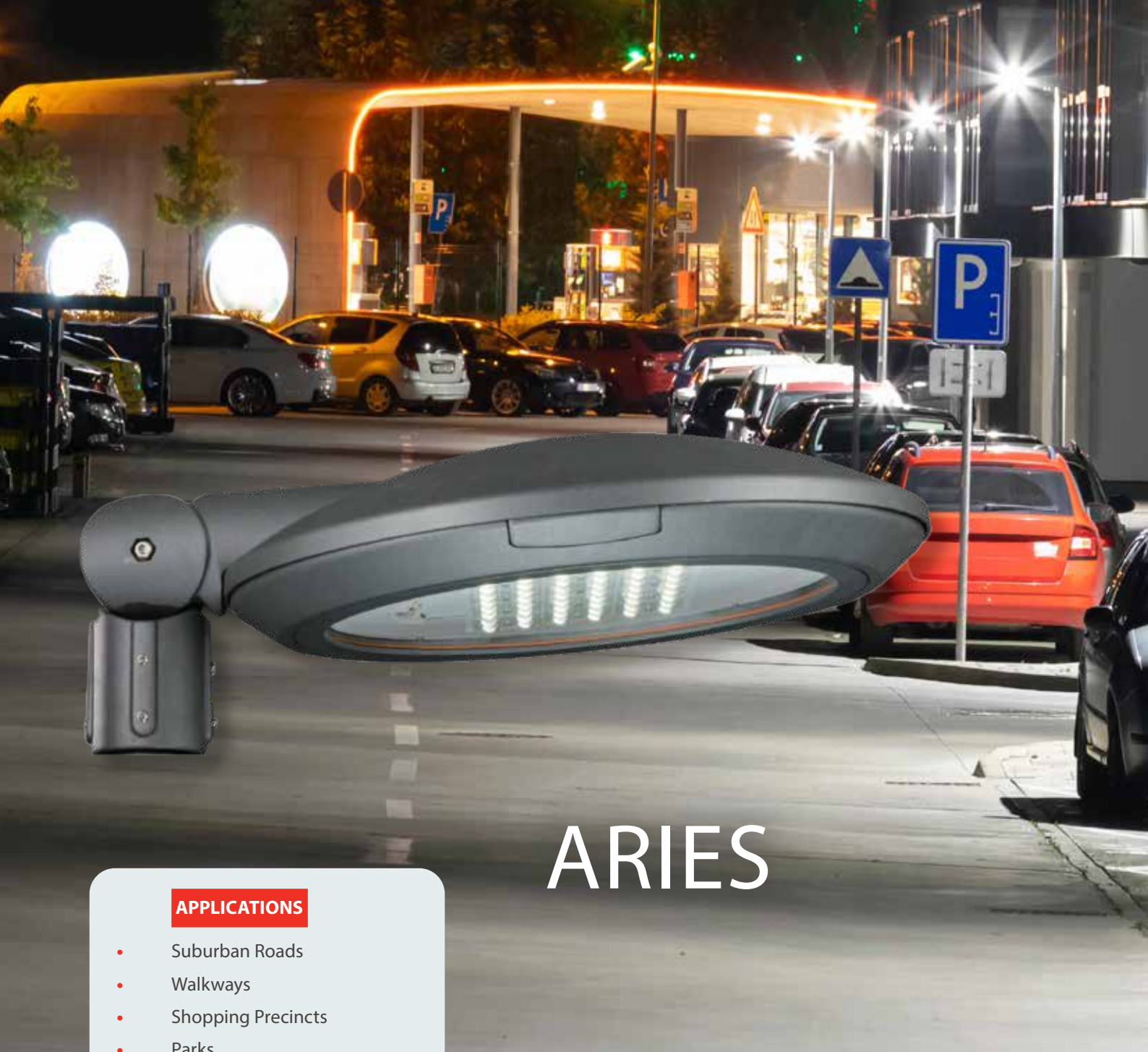
+61 2 9736 3677 or info@aldrigetraffic.com.au





P. Cat Roads
Recreational Parks
Car Parks
Office Complex
Precincts
Bridges
Piers

	PAGE
Aries	4
Artemis	6
Balloon	8
Boston III	10
Bamboo	12
Candle	14
Conical	16
Dragonfly	18
Leo	20
Straight	22

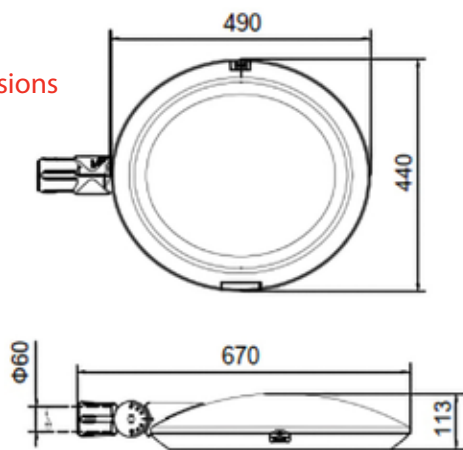


ARIES

APPLICATIONS

- Suburban Roads
- Walkways
- Shopping Precincts
- Parks
- Driveways
- Car Parks
- Security Lighting

Dimensions



Features

- Smart City Ready - TST compatibility Zigbee, LoRa, NBLoT
- High Performance luminaire designed to meet stringent Australian Standards AS/NZS 1158.6
- Suitable for Pedestrian Area, Pathways, and Parks Lighting Applications
- High Performance Optics designed to meet and comply with Australian standards AS1158.3.1
- Self-cleaning housing and PMMA optical diffuser
- Integrated thermal management
- 7-pin Nema Receptacle (7-Pin)
- Supports DALI-2 connection and complies with D4i
- 5 year warranty

Options

- Zhaga:** Lighting Controller
- DALI-2, D4i**
- Fuse Terminal Block: (FTB)**
- Class II:** Double Insulated (DB)
- Color:** Black, White (WH), (DK Grey Standard)
- Visor:** Glare Shield / Spill Light Kit (GV)
- CCT:** 2200K, 3000K, **4000K (Standard)**, 5000K
- Spigot Adapter:** $\phi 42\text{mm} - \phi 48\text{mm}$
- Post Top Mounting:** $\phi 60\text{mm} - \phi 76\text{mm}$



Technical Data

- Body:** High Pressure Marine Grade Die Cast Aluminum
- Optics:** SL4T2 - SL4T3 - T4 - SH4T2 - SH4T3
- LED:** CREE / SAMSUNG / LUMILEDS
- Wattage:** 20 - 30 - 40 - 50 - 60 - 70 - 80 - 90 - 100 Watts
- Finishing:** Powder Coat (DK Grey Standard)
- Screen:** 5mm Flat Tempered Glass
- Mounting:** 4 - 9 Metres
- Fixing:** Side/Top Mount
- IP rating:** IP66
- IK rating:** IK09
- Voltage:** 220V - 240V 50/60Hz
- Power Factor:** >0.95
- Surge Protection Device:** (SPD - 20kV / 10kA)

Photometric Design Data



Specification Aries

PRODUCT CODE	22710	22711	22712	22713	22714	22715	22716	22717	22718
Photometric Distribution	SL4T2 - SL4T3 - T4 - SH4T2 - SH4T3	SL4T2 - SL4T3 - T4 - SH4T2 - SH4T3	SL4T2 - SL4T3 - T4 - SH4T2 - SH4T3	SL4T2 - SL4T3 - T4 - SH4T2 - SH4T3	SL4T2 - SL4T3 - T4 - SH4T2 - SH4T3	SL4T2 - SL4T3 - T4 - SH4T2 - SH4T3	SL4T2 - SL4T3 - T4 - SH4T2 - SH4T3	SL4T2 - SL4T3 - T4 - SH4T2 - SH4T3	SL4T2 - SL4T3 - T4 - SH4T2 - SH4T3
Power (Watts)	20W	30W	40W	50W	60W	70W	80W	90W	100W
Input Voltage	240V	240V	240V	240V	240V	240V	240V	240V	240V
CCT (K)	2200K/3000K 4000K/5000K	2200K/3000K 4000K/5000K	2200K/3000K 4000K/5000K	2200K/3000K 4000K/5000K	2200K/3000K 4000K/5000K	2200K/3000K 4000K/5000K	2200K/3000K 4000K/5000K	2200K/3000K 4000K/5000K	2200K/3000K 4000K/5000K
Output Flux (lm)	2560lm	3840lm	5120lm	6400lm	7740lm	8050lm	9200lm	10350lm	11500lm
CRI (RA)	Ra>70 or >80	Ra>70 or >80	Ra>70 or >80	Ra>70 or >80	Ra>70 or >80	Ra>70 or >80	Ra>70 or >80	Ra>70 or >80	Ra>70 or >80
IP Protection	IP66	IP66	IP66	IP66	IP66	IP66	IP66	IP66	IP66
IK Protection	IK09	IK09	IK09	IK09	IK09	IK09	IK09	IK09	IK09
Weight (kg)	11.7 kg	11.7 kg	11.7 kg	11.7 kg	11.7 kg	11.7 kg	11.7 kg	11.7 kg	11.7 kg

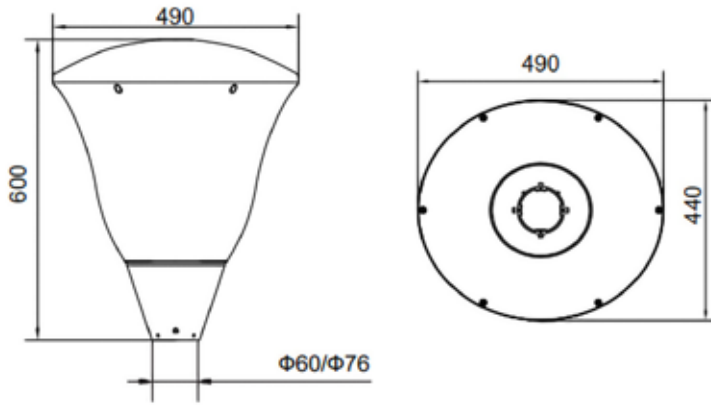


ARTEMIS

APPLICATIONS

- Suburban Roads
- Walkways
- Shopping Precincts
- Parks
- Driveways
- Car Parks
- Security Lighting

Dimensions



Features

- Smart City Ready - TST compatibility Zigbee, LoRa, NBLoT
- High Performance luminaire designed to meet stringent Australian Standards AS/NZS 1158.6
- Suitable for Pedestrian Area, Pathways, and Parks Lighting Applications
- High Performance Optics designed to meet and comply with Australian standards AS1158.3.1
- Self-cleaning housing and PMMA optical diffuser
- Integrated thermal management
- Supports DALI-2 connection and complies with D4
- 5 year warranty

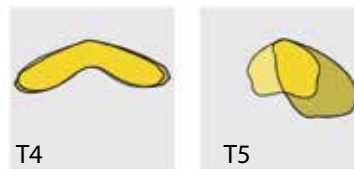
Option

- **Zhaga:** Lighting Controller
- **DALI-2, D4i**
- **Fuse Terminal Block:** (FTB)
- **Class II:** Double Insulated (DB)
- **Colour:** Black, (Dark Grey-Standard)
- **Optics:** PMMA
- **CCT:** 2200K, 3000K, **4000K (Standard)**, 5000K
- **Spigot Adapter:** ø60mm – ø76mm

Technical Data

- **Body:** High Pressure Marine Grade Die Cast Aluminum
- **Optics:** T4 – T5
- **LED:** CREE / SAMSUNG / LUMILEDS
- **Wattage:** 20 - 30 - 40 - 50 - 60 - 70 - 80 - 90 - 100 Watts
- **Finishing:** Powder Coat (DK Grey Standard)
- **Globe:** Flat Tempered Glass
- **Fixing:** Post Top Entry
- **IP rating:** IP66
- **IK rating:** IK09
- **Voltage:** 220V - 240V 50/60Hz
- **Power Factor:** >0.95
- **Surge Protection Device:** (SPD - 20kV / 10kA)

Photometrics



Specification Artemis

PRODUCT CODE	22737	22738	22739	22740	22741	22742	22743	22744	22745
Photometric Distribution	T4 - T5	T4 - T5	T4 - T5	T4 - T5	T4 - T5	T4 - T5	T4 - T5	T4 - T5	T4 - T5
Power (Watts)	20W	30W	40W	50W	60W	70W	80W	90W	100W
Input Voltage (V)	240V	240V	240V	240V	240V	240V	240V	240V	240V
CCT (K)	2200K/3000K 4000K/5000K	2200K/3000K 4000K/5000K	2200K/3000K 4000K/5000K	2200K/3000K 4000K/5000K	2200K/3000K 4000K/5000K	2200K/3000K 4000K/5000K	2200K/3000K 4000K/5000K	2200K/3000K 4000K/5000K	2200K/3000K 4000K/5000K
Output Flux (lm)	2560lm	3840lm	5120lm	6400lm	7740lm	8050lm	9200lm	10350lm	11500lm
CRI (Ra)	Ra>70 / >80	Ra>70 / >80	Ra>70 / >80	Ra>70 / >80	Ra>70 / >80	Ra>70 / >80	Ra>70 / >80	Ra>70 / >80	Ra>70 / >80
IP Protection	IP66	IP66	IP66	IP66	IP66	IP66	IP66	IP66	IP66
IK Protection	IK09	IK09	IK09	IK09	IK09	IK09	IK09	IK09	IK09
Weight (kg)	11.3 kg	11.3 kg	11.3 kg	11.3 kg	11.3 kg	11.3 kg	11.3 kg	11.3 kg	11.3 kg

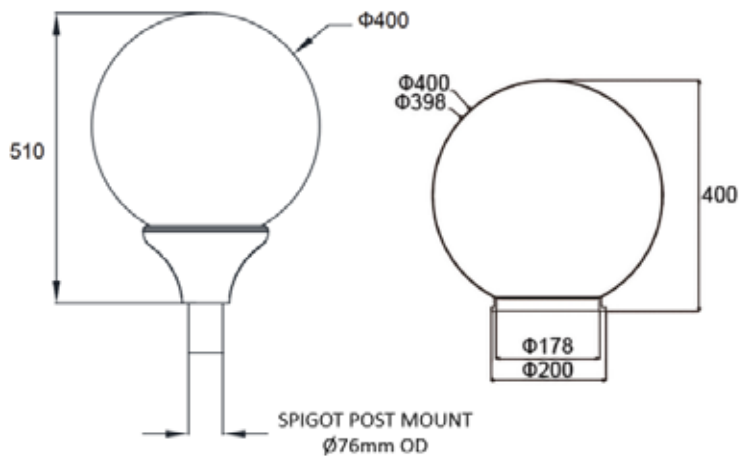


BALLOON

APPLICATIONS

- Suburban Roads
- Walkways
- Shopping Precincts
- Parks
- Driveways
- Car Parks
- Security Lighting

Dimensions



Features

- Smart City Ready - TST compatibility Zigbee, LoRa, NBLoT
- High Performance luminaire designed to meet stringent Australian Standards AS/NZS 1158.6
- Suitable for Pedestrian Area, Pathways, and Parks Lighting Applications
- High Performance Optics designed to meet and comply with Australian standards AS1158.3.1
- Self-cleaning housing and PMMA optical diffuser
- Integrated thermal management
- Supports DALI-2 connection and complies with D4i
- 5 year warranty

Options

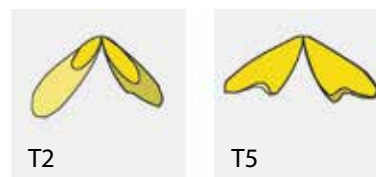
- Zhaga:** Lighting Controller
- DALI-2, D4i**
- Fuse Terminal Block:** (FTB)
- Class II:** Double Insulated (DB)
- Color:** Black (Standard), White (WH), Grey (GR)
- Visor:** Glare Shield / Spill Light Kit (GV)
- CCT:** 2200K, 3000K, **4000K (Standard)**, 5000K
- Spigot Adapter:** ø60mm – ø76mm



Technical Data

- Body:** High Pressure Die-cast Aluminum (Marine Grade)
- Optics:** T2 – T5
- LED:** CREE / SAMSUNG / LUMILEDS
- Wattage:** 30 – 40 – 50 Watts
- Finishing:** Powder Coat (Black Standard)
- Globe:** Polycarbonate
- Fixing:** Post Top Entry
- IP Rating:** IP65
- IK Rating:** IK08
- Voltage:** 220V-240V 50/60Hz
- Power Factor:** >0.9
- Surge Protection Device:** (SPD - 20kV / 10kA)

Photometrics



Specification Balloon

PRODUCT CODE	29501	29502	29503
Photometric Distribution	T2 – T5	T2 – T5	T2 – T5
Power (Watts)	30W	40W	50W
Input Voltage (V)	240V	240V	240V
CCT (K)	2200K/3000K 4000K/5000K	2200K/3000K 4000K/5000K	2200K/3000K 4000K/5000K
Efficacy (lm/W)	130	130	130
Output Flux (lm)	3900lm	5200lm	6500lm
CRI (Ra)	Ra>70 / >80	Ra>70 / >80	Ra>70 / >80
IP Protection	IP65	IP65	IP65
IK Protection	IK08	IK08	IK08
Weight (kg)	6.9 (kg)	6.9 (kg)	6.9 (kg)



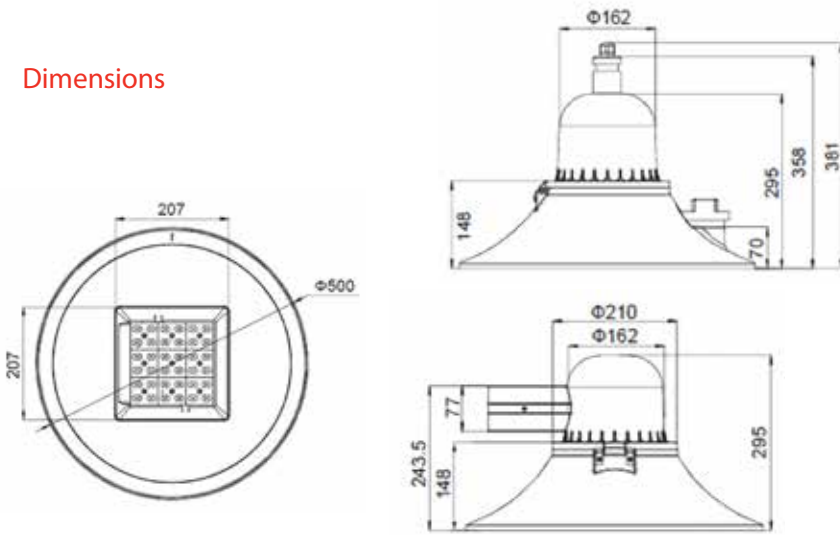
BOSTON III

APPLICATIONS

- Suburban Roads
- Walkways
- Shopping Precincts
- Parks
- Driveways
- Car Parks
- Security Lighting



Dimensions



Top Entry



Side Entry



Features

- Smart City Ready - TST compatibility Zigbee, LoRa, NBLoT
- High Performance luminaire designed to meet stringent Australian Standards AS/NZS 1158.6
- Suitable for Pedestrian Area, Pathways, and Parks Lighting Applications
- High Performance Optics designed to meet and comply with Australian standards AS1158.3.1
- Self-cleaning housing and PMMA optical diffuser
- Integrated thermal management
- 7-pin Nema Receptacle (7-Pin)
- Supports DALI-2 connection and complies with D4i
- 5 year warranty

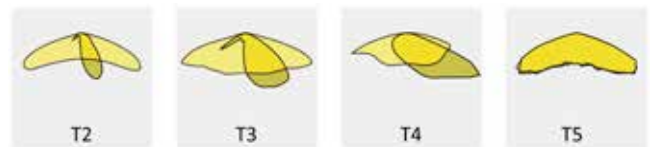
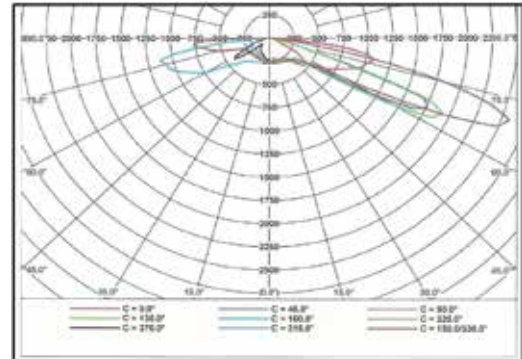
Technical Data

- Body:** High Pressure Die Cast Aluminum (Marine Grade)
- Optics:** P4 – P5 – T2 – T3 – T4 – T5
- LED:** CREE / SAMSUNG / LUMILEDS
- Wattage:** 20 – 40 – 60 – 80 – 100 Watts
- Finishing:** Powder Coat (Black Standard)
- Fixing:** Side-Entry (SE), Top-Entry (TE)
- IP Rating:** IP65
- IK Rating:** IK08
- Voltage:** 220V-240V 50/60Hz
- Power Factor:** >0.9
- Surge Protection Device:** (SPD - 20kV / 10kA)

Options

- Zhaga:** Lighting Controller
- DALI-2, D4i**
- Fuse Terminal Block: (FTB)**
- Class II: Double Insulated (DB)**
- Color:** Black (Standard), White (WH), Grey (GR)
- Visor:** Glare Shield / Spill Light Kit (GV)
- CCT:** 2200K, 3000K, **4000K (Standard)**, 5000K
- Spigot Adapter:** Side Entry: Ø34mm - Ø42mm - Ø48mm

Photometrics



Specification Boston III

PRODUCT CODE	20915	20916	20917	20918	20919	20920	20921	20922	20923	20924	20925
Photometric Distribution	P4 – P5 T2 – T3 T4 – T5	P4 – P5 T2 – T3 T4 – T5	P4 – P5 T2 – T3 T4 – T5	P4 – P5 T2 – T3 T4 – T5	P4 – P5 T2 – T3 T4 – T5	P4 – P5 T2 – T3 T4 – T5	P4 – P5 T2 – T3 T4 – T5	P4 – P5 T2 – T3 T4 – T5	P4 – P5 T2 – T3 T4 – T5	P4 – P5 T2 – T3 T4 – T5	P4 – P5 T2 – T3 T4 – T5
Power (Watts)	40	60	80	100	40	60	80	100	60	80	100
Input Voltage (V)	240V	240V	240V	240V	240V	240V	240V	240V	240V	240V	240V
CCT (K)	2200K/3000K 4000K/ 5000K	2200K/3000K 4000K/ 5000K	2200K/3000K 4000K/ 5000K	2200K/3000K 4000K/ 5000K	2200K/3000K 4000K/ 5000K	2200K/3000K 4000K/ 5000K	2200K/3000K 4000K/ 5000K	2200K/3000K 4000K/ 5000K	2200K/3000K 4000K/ 5000K	2200K/3000K 4000K/ 5000K	2200K/3000K 4000K/ 5000K
Output Flux (lm)	5360lm	7620lm	10080lm	12400lm	5360lm	7620lm	10080lm	12400lm	7920lm	9760lm	11700lm
CRI (Ra)	Ra>70/>80	Ra>70/>80	Ra>70/>80	Ra>70/>80	Ra>70/>80	Ra>70/>80	Ra>70/>80	Ra>70/>80	Ra>70/>80	Ra>70/>80	Ra>70/>80
IP Protection	IP65	IP65	IP65	IP65	IP65	IP65	IP65	IP65	IP65	IP65	IP65
IK Protection	IK08	IK08	IK08	IK08	IK08	IK08	IK08	IK08	IK08	IK08	IK08
Weight (kg)	5.9 kg	5.9 kg	5.9 kg	5.9 kg	5.9 kg	5.9 kg	5.9 kg	5.9 kg	5.9 kg	5.9 kg	5.9 kg



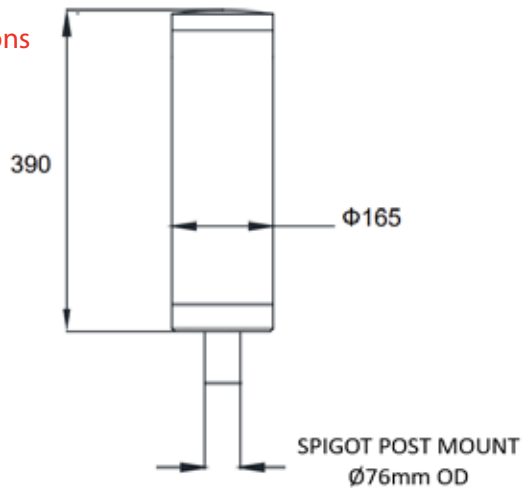
BAMBOO

APPLICATIONS

- Suburban Roads
- Walkways
- Shopping Precincts
- Parks
- Driveways
- Car Parks
- Security Lighting



Dimensions



Features

- Smart City Ready - TST compatibility Zigbee, LoRa, NBLoT
- High Performance luminaire designed to meet stringent Australian Standards AS/NZS 1158.6
- Suitable for Pedestrian Area, Pathways, and Parks Lighting Applications
- High Performance Optics designed to meet and comply with Australian standards AS1158.3.1
- Self-cleaning housing and PMMA optical diffuser
- Integrated thermal management
- Supports DALI-2 connection and complies with D4i
- 5 year warranty

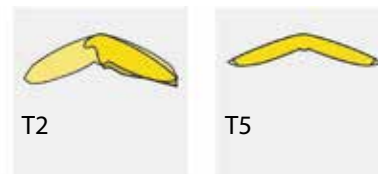
Options

- **Zhaga:** Lighting Controller
- **DALI-2, D4i**
- **Fuse Terminal Block: (FTB)**
- **Class II:** Double Insulated (DB)
- **Color:** Black (Standard), White (WH), Grey (GR)
- **Visor:** Glare Shield / Spill Light Kit (GV)
- **CCT:** 2200K, 3000K, **4000K (Standard)**, 5000K
- **Spigot Adapter:** ø60mm – ø76mm

Technical Data

- **Body:** High Pressure Die Cast Aluminum (Marine Grade)
- **Optics:** T2 – T5
- **LED:** CREE / SAMSUNG / LUMILEDS
- **Wattage:** 30 – 40 – 50 Watts
- **Finishing:** Powder Coat (Black Standard)
- **Globe:** Polycarbonate
- **Fixing:** Post Top Entry
- **IP Rating:** IP65
- **IK Rating:** IK08
- **Voltage:** 220V-240V 50/60Hz
- **Power Factor:** >0.9
- **Surge Protection Device:** (SPD - 20kV / 10kA)

Photometrics



Specification Bamboo

PRODUCT CODE	29504	29505	29506
Photometric Distribution	T2 - T5	T2 - T5	T2 - T5
Power (Watts)	30W	40W	50W
Input Voltage (V)	240V	240V	240V
CCT (K)	2200K / 3000K / 4000K / 5000K	2200K / 3000K / 4000K / 5000K	2200K / 3000K / 4000K / 5000K
CRI (Ra)	Ra >70/80	Ra >70/80	Ra >70/80
IP Protection	IP65	IP65	IP65
IK Protection	IK08	IK08	IK08
Weight (kg)	3.9 kg	3.9 kg	3.9 kg

CANDLE

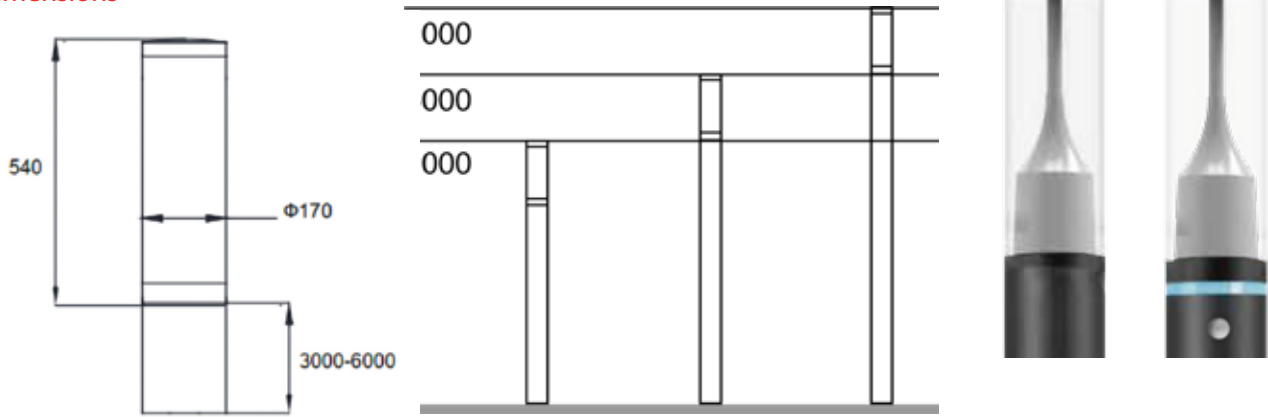


APPLICATIONS

- Suburban Roads
- Walkways
- Shopping Precincts
- Parks
- Driveways
- Car Parks
- Security Lighting



Dimensions



Features

- Smart City Ready - TST compatibility Zigbee, LoRa, NBloT
- High Performance luminaire designed to meet stringent Australian Standards AS/NZS 1158.6
- Suitable for Pedestrian Area, Pathways, and Parks Lighting Applications
- High Performance Optics designed to meet and comply with Australian standards AS1158.3.1
- Self-cleaning housing and PMMA optical diffuser
- Integrated thermal management
- 7-pin Nema Receptacle (7-Pin)
- Supports DALI-2 connection and complies with D4i
- 5 year warranty

Options

- **Zhaga:** Lighting Controller
- **DALI-2, D4i**
- **Fuse Terminal Block: (FTB)**
- **Class II:** Double Insulated (DB)
- **Color:** Black (Standard), Dark Grey (GR)
- **Visor:** Glare Shield / Spill Light Kit (GV)
- **CCT:** 2200K, 3000K, **4000K (Standard)**, 5000
- **Available Heights:** 3000mm 4000mm 5000mm



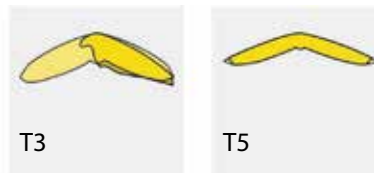
Optional Accessories

- PIR for Bollard with infrared Motion Sensor
- Light Bar for Bollard Colour (RGBW)

Technical Data

- **Body:** High Pressure Marine Grade Die Cast Aluminum
- **Optics:** T3 – T5
- **LED:** CREE / SAMSUNG / LUMILEDS
- **Wattage:** 30 - 40 - 50 Watts
- **Finishing:** Powder Coat (DK Grey Standard)
- **Globe:** Polycarbonate
- **Mounting:** 3 - 4 or 5 Metres
- **Fixing:** Bollard
- **IP rating:** IP65
- **IK rating:** IK08
- **Voltage:** 220V - 240V 50/60Hz
- **Power Factor:** >0.95
- **Surge Protection Device: (SPD - 20kV / 10kA)**

Photometrics



Specification Candle

PRODUCT CODE	29510	29511	29512
Photometric Distribution	T3 – T5	T3 – T5	T3 – T5
Power (Watts)	30	40	50
Input Voltage (V)	220V - 240V 50/60Hz	220V - 240V 50/60Hz	220V - 240V 50/60Hz
CCT (K)	4000	4000	4000
Efficacy (lm/W)	130	130	130
Output Flux (lm)	3900	5200	6500
CRI (Ra)	Ra>70 or >80	Ra>70 or >80	Ra>70 or >80
IP Protection	IP65	IP65	IP65
IK Protection	IK08	IK08	IK08
Weight (kg)	5.2 kg	5.2 kg	5.2 kg



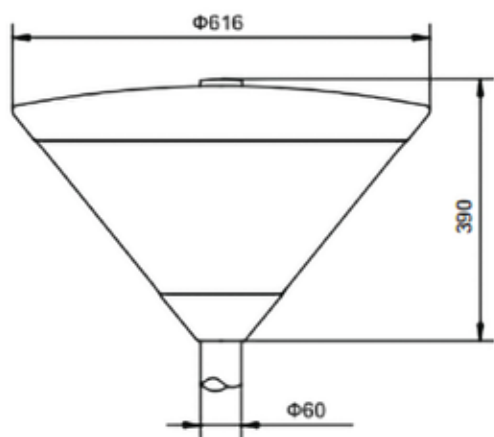
CONICAL

APPLICATIONS

- Suburban Roads
- Walkways
- Shopping Precincts
- Parks
- Driveways
- Car Parks
- Security Lighting



Dimensions



Features

- Smart City Ready - TST compatibility Zigbee, LoRa, NBloT
- High Performance luminaire designed to meet stringent Australian Standards AS/NZS 1158.6
- Suitable for Pedestrian Area, Pathways, and Parks Lighting Applications
- High Performance Optics designed to meet and comply with Australian standards AS1158.3.1
- Self-cleaning housing and PMMA optical diffuser
- Integrated thermal management
- 7-pin Nema Receptacle (7-Pin)
- Supports DALI-2 connection and complies with D4i
- 5 year warranty

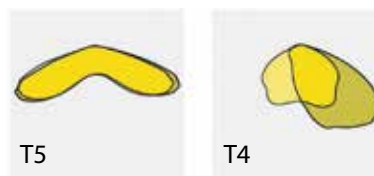
Options

- Zhaga:** Lighting Controller
- DALI-2, D4i**
- Fuse Terminal Block: (FTB)**
- Class II:** Double Insulated (DB)
- Color:** Black (Standard), Grey (GR)
- Visor:** Glare Shield / Spill Light Kit (GV)
- CCT:** 2200K, 3000K, **4000K (Standard)**, 5000
- Spigot Adapter:** ø60mm – ø76mm

Technical Data

- Body:** High Pressure Marine Grade Die Cast Aluminum
- Optics:** T4 – T5
- LED:** CREE / SAMSUNG / LUMILEDS
- Wattage:** 30 - 40 - 60 - 80 Watts
- Finishing:** Powder Coat (DK Grey Standard)
- Fixing:** Post Mount
- Globe:** Polycarbonate
- IP rating:** IP65
- IK rating:** IK08
- Voltage:** 220V - 240V 50/60Hz
- Power Factor:** >0.95
- Surge Protection Device:** (SPD - 20kV / 10kA)

Photometrics



Specification Conical

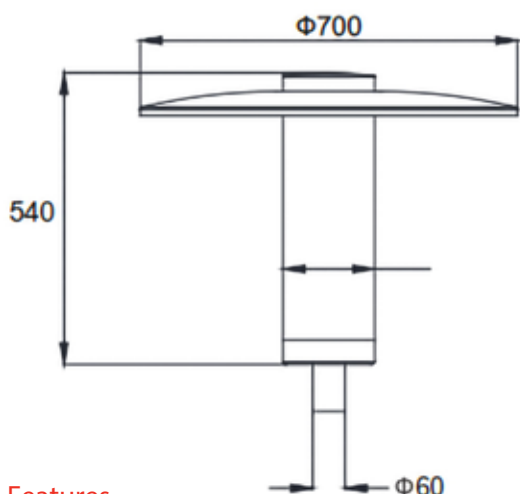
PRODUCT CODE	20201	20202	20203	20204
Photometric Distribution	T4 – T5	T4 – T5	T4 – T5	T4 – T5
Power (Watts)	30	40	60	80
Input Voltage (V)	220V - 240V 50/60Hz	220V - 240V 50/60Hz	220V - 240V 50/60Hz	220V - 240V 50/60Hz
CCT (K)	4000	4000	4000	4000
Efficacy (lm/W)	137	134	127	126
Output Flux (lm)	4110	5360	7620	10080
CRI (Ra)	Ra>70 or >80	Ra>70 or >80	Ra>70 or >80	Ra>70 or >80
IP Protection	IP65	IP65	IP65	IP65
IK Protection	IK08	IK08	IK08	IK08
Weight (kg)	9.6 kg	9.6 kg	9.6 kg	9.6 kg

DRAGONFLY

APPLICATIONS

- Suburban Roads
- Walkways
- Shopping Precincts
- Parks
- Driveways
- Car Parks
- Security Lighting

Dimensions



Features

- Smart City Ready - TST compatibility Zigbee, LoRa, NBloT
- High Performance luminaire designed to meet stringent Australian Standards AS/NZS 1158.6
- Suitable for Pedestrian Area, Pathways, and Parks Lighting Applications
- High Performance Optics designed to meet and comply Australian standards AS1158.3.1
- Self-cleaning housing and PMMA optical diffuser
- Integrated thermal management
- 7-pin Nema Receptacle (7-Pin)
- Supports DALI-2 connection and complies with D4i
- 5 year warranty

Options

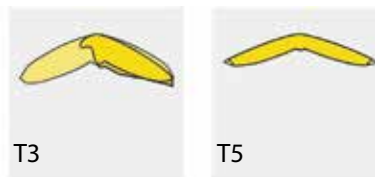
- Zhaga:** Lighting Controller
- DALI-2, D4i**
- Fuse Terminal Block: (FTB)**
- Class II:** Double Insulated (DB)
- Color:** Black (Standard), White (WH), Grey (GR)
- Visor:** Glare Shield / Spill Light Kit (GV)
- CCT:** 2200K, 3000K, **4000K (Standard)**, 5000
- Spigot Adapter:** ø60mm – ø76mm



Technical Data

- Body:** High Pressure Marine Grade Die Cast Aluminum
- Optics:** T3 – T5
- LED:** CREE / SAMSUNG / LUMILEDS
- Wattage:** 30 – 40 – 50 Watts
- Finishing:** Powder Coat (DK Grey Standard)
- Fixing:** Post Mount
- Globe:** Polycarbonate
- IP rating:** IP65
- IK rating:** IK08
- Voltage:** 220V - 240V 50/60Hz
- Power Factor:** >0.9
- Surge Protection Device:** (SPD - 20kV / 10kA)

Photometrics



Specification Dragonfly

PRODUCT CODE	29507	29508	29509
Photometric Distribution	T3 – T5	T3 – T5	T3 – T5
Power (Watts)	30	40	50
Input Voltage (V)	220V - 240V 50/60Hz	220V - 240V 50/60Hz	220V - 240V 50/60Hz
CCT (K)	4000	4000	4000
Efficacy (lm/W)	130	130	130
Output Flux (lm)	3900	5200	6500
CRI (Ra)	Ra>70 or >80	Ra>70 or >80	Ra>70 or >80
IP Protection	IP65	IP65	IP65
IK Protection	IK08	IK08	IK08
Weight (kg)	6.5 kg	6.5 kg	6.5 kg

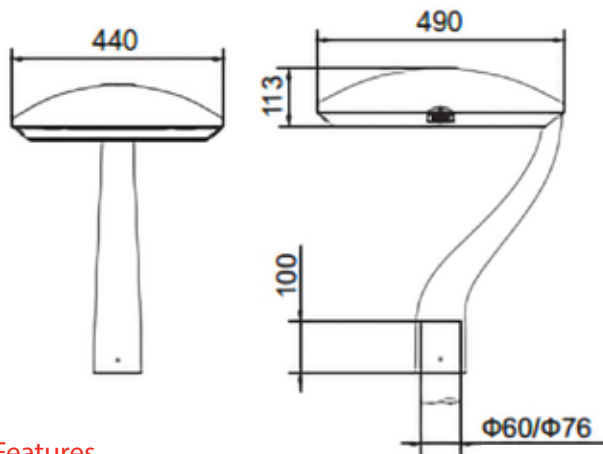


LEO

APPLICATIONS

- Suburban Roads
- Walkways
- Shopping Precincts
- Parks
- Driveways
- Car Parks
- Security Lighting

Dimensions



Features

- Smart City Ready - TST compatibility Zigbee, LoRa, NBLoT
- High Performance luminaire designed to meet stringent Australian Standards AS/NZS 1158.6
- Suitable for Pedestrian Area, Pathways, and Parks Lighting Applications
- High Performance Optics designed to meet and comply with Australian standards AS1158.3.1
- Self-cleaning housing and PMMA optical diffuser
- Integrated thermal management
- 7-pin Nema Receptacle (7-Pin)
- Supports DALI-2 connection and complies with D4i
- 5 year warranty

Options

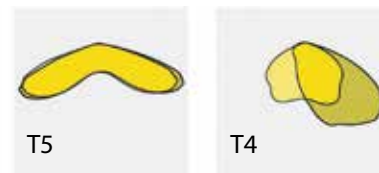
- Zhaga:** Lighting Controller
- DALI-2, D4i**
- Fuse Terminal Block: (FTB)**
- Class II:** Double Insulated (DB)
- Color:** Black (Standard), White (WH), Grey (GR)
- Visor:** Glare Shield / Spill Light Kit (GV)
- CCT:** 2200K, 3000K, **4000K (Standard)**, 5000
- Spigot Adapter** $\varnothing 60\text{mm}$ / $\varnothing 76\text{mm}$



Technical Data

- Body:** High Pressure Die Cast Aluminum (Marine Grade)
- Optics:** T4 – T5
- LED:** CREE / SAMSUNG / LUMILEDS
- Wattage:** 20 – 30 – 40 – 50 – 60 – 70 – 80 – 90 – 100 Watts
- Finishing:** Powder Coat (GREY Standard)
- Fixing:** Post Mount
- IP Rating:** IP65
- IK Rating:** IK08
- Voltage:** 220V-240V 50/60Hz
- Power Factor:** >0.9
- Surge Protection Device:** (SPD - 20kV / 10kA)

Photometrics



T5

T4



Specification Leo

PRODUCT CODE	22728	22729	22730	22731	22732	22733	22734	22735	22736
Photometric Distribution	T4 – T5	T4 – T5	T4 – T5	T4 – T5	T4 – T5	T4 – T5	T4 – T5	T4 – T5	T4 – T5
Power (Watts)	20	30	40	50	60	70	80	90	100
Input Voltage (V)	220V - 240V 50/60Hz	220V - 240V 50/60Hz	220V - 240V 50/60Hz	220V - 240V 50/60Hz	220V - 240V 50/60Hz	220V - 240V 50/60Hz	220V - 240V 50/60Hz	220V - 240V 50/60Hz	220V - 240V 50/60Hz
CCT (K)	4000	4000	4000	4000	4000	4000	4000	4000	4000
Efficacy (lm/W)	128	128	128	128	129	115	115	115	115
Output Flux (lm)	2560	3840	5120	6400	7740	8050	9200	10350	11500
CRI	Ra>70 or >80	Ra>70 or >80	Ra>70 or >80	Ra>70 or >80	Ra>70 or >80	Ra>70 or >80	Ra>70 or >80	Ra>70 or >80	Ra>70 or >80
IP Protection	IP66	IP66	IP66	IP66	IP66	IP66	IP66	IP66	IP66
IK Protection	IK09	IK09	IK09	IK09	IK09	IK09	IK09	IK09	IK09
Weight (kg)	11.3 kg	11.3 kg	11.3 kg	11.3 kg	11.3 kg	11.3 kg	11.3 kg	11.3 kg	11.3 kg

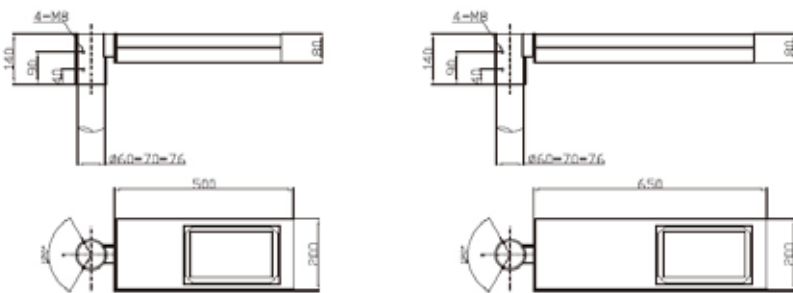
STRAIGHT

APPLICATIONS

- Suburban Roads
- Walkways
- Shopping Precincts
- Parks
- Driveways
- Car Parks
- Security Lighting



Dimensions



Features

- Smart City Ready - TST compatibility Zigbee, LoRa, NBloT
- High Performance luminaire designed to meet stringent Australian Standards AS/NZS 1158.6
- Suitable for Pedestrian Area, Pathways, and Parks Lighting Applications
- High Performance Optics designed to meet and comply with Australian standards AS1158.3.1
- Self-cleaning housing and PMMA optical diffuser
- Integrated thermal management
- 7-pin Nema Receptacle (7-Pin)
- Supports DALI-2 connection and complies with D4i
- 5 year warranty

Technical Data

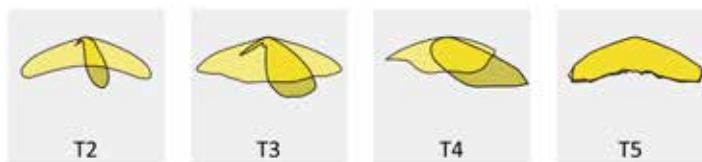
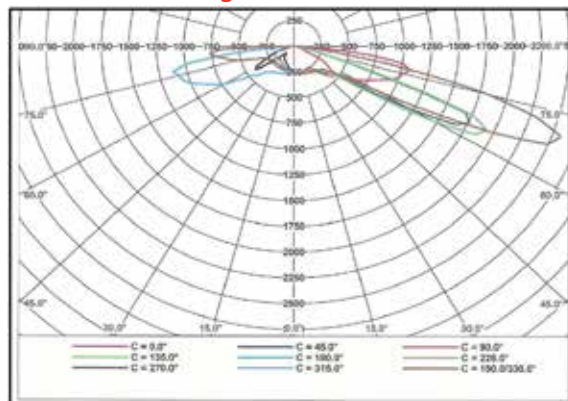
- Body:** High Pressure Die Cast Aluminum (Marine Grade)
- Optics:** P4 - P5 - T2 - T3 - T4 - T5
- LED:** CREE / SAMSUNG / LUMILEDS
- Wattage:** 25 - 40 - 60 - 80 Watts *
- Finishing:** Powder Coat (GREY Standard)
- Fixing:** Customised Mounting
- IP Rating:** IP65
- IK Rating:** IK08
- Voltage:** 220V-240V 50/60Hz
- Power Factor:** >0.9
- Surge Protection Device:** (SPD - 20kV / 10kA)

*Retrofit Options 100W - 160W

Options

- Zhaga:** Lighting Controller
- DALI-2, D4i**
- Fuse Terminal Block: (FTB)**
- Class II: Double Insulated (DB)**
- Color:** Black (Standard), White (WH), Grey (GR)
- Visor:** Glare Shield / Spill Light Kit (GV)
- CCT:** 2200K, 3000K, 4000K (Standard), 5000K

Photometric Design Data



Specification Straight

Product Code	HYT-LED97-20	HYT-LED97-40	HYT-LED97-60	HYT-LED97-80
Photometric Distribution	P4 - P5 - T2 - T3 - T4 - T5	P4 - P5 - T2 - T3 - T4 - T5	P4 - P5 - T2 - T3 - T4 - T5	P4 - P5 - T2 - T3 - T4 - T5
Power (Watts)	25W	40W	60W	80W
Input Voltage (V)	240V	240V	240V	240V
CCT (K)	2200K/3000K/4000K/5000K	2200K/3000K/4000K/5000K	2200K/3000K/4000K/5000K	2200K/3000K/4000K/5000K
CRI (Ra)	Ra >70 /80	Ra >70 /80	Ra >70 /80	Ra >70 /80
IP Protection	IP65	IP65	IP65	IP65
IK Protection	IK08	IK08	IK08	IK08
Weight (kg)	7.0 kg	7.0 kg	7.0 kg	7.0 kg

ALDRIDGE DECORATIVE RANGE



ARIES

ARTEMIS

BALLOON

BOSTON III

BAMBOO



CANDLE

CONICAL

DRAGONFLY

LEO

STRAIGHT







Aldridge Traffic Systems Pty Ltd

Unit 38, 38-46 South Street
Rydalmere NSW 2116

W: trafficltd.com.au

NSW

P: +61 2 9701 9900
e: info@trafficltd.com.au

VIC

P: +61 3 9430 0222
e: info@trafficltd.com.au

SA

P: +61 3 9430 0266
e: info@trafficltd.com.au

NT

P: +61 8 8947 0733
e: info@trafficltd.com.au

ACT

P: +61 2 6299 7922
e: info@trafficltd.com.au

WA

P: +61 8 9248 1002
e: info@trafficltd.com.au

QLD

P: +61 7 3184 2000
e: info@trafficltd.com.au

TAS

P: +61 3 6273 1177
e: info@trafficltd.com.au

UNITED KINGDOM

P: +44 (0) 1159 223 797
info@aldrigdetraffic.co.uk

