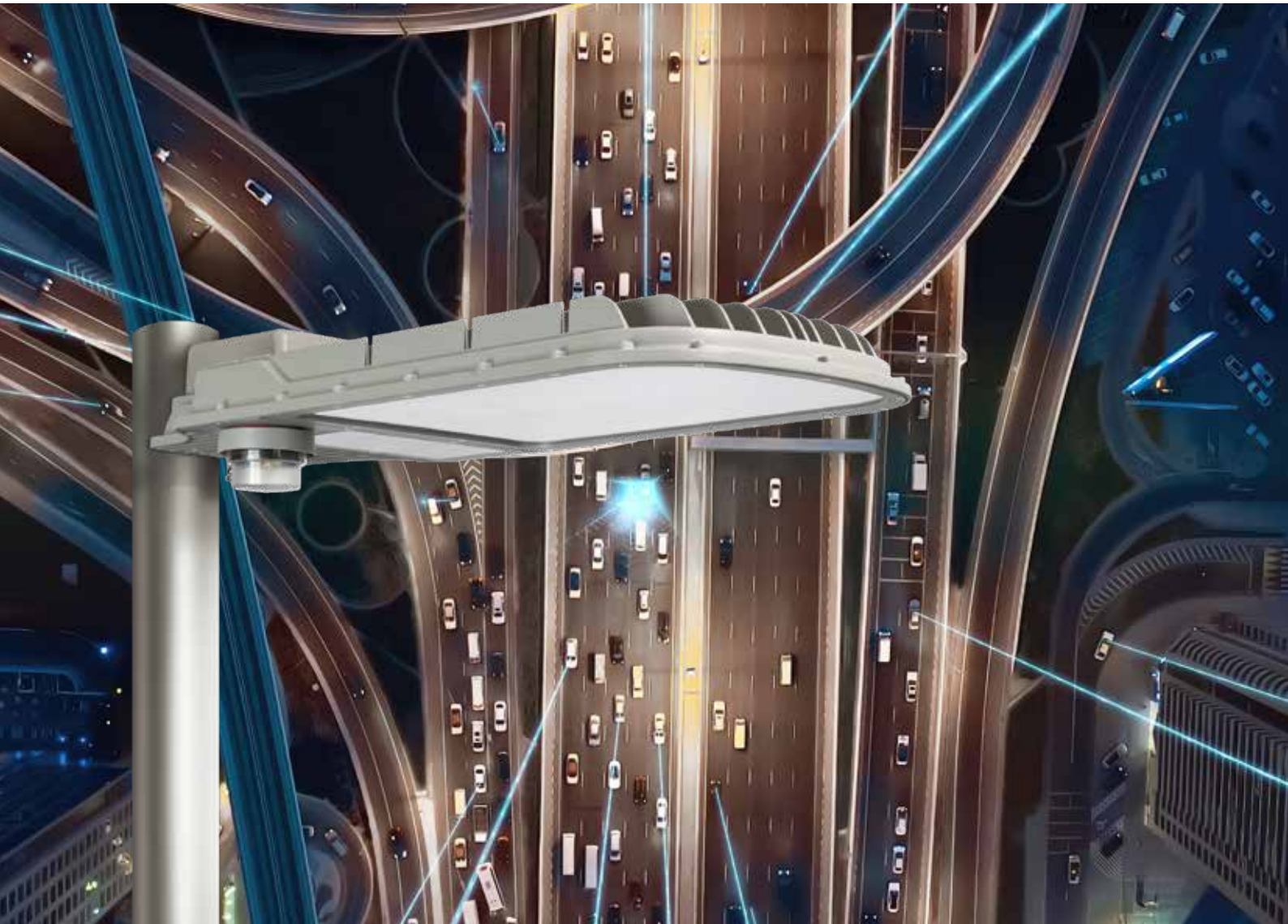


ALDRIDGE



Road, Street, Tunnel Lighting

Lighting the Roads and Highways Worldwide



Contents

	Page
THE ALDRIDGE COLLECTION	4
Residential Roads	7
P-LED II	8
COMO	10
BOSTON	16
FLAT	20
BERLIN	24
TASMAN	26
Highways and Major Roads	28
V-LED MKII	30
V-LED MKIII	32
BOSTON V	34
H-LED	38
E-LED	40
Tunnels and Underpasses	44
T-LED	46
V-LED MKII	48
V-LED MKIII	50
FLUD	52
FLUD X	56
S-LED	60



P. Cat Residential Roads

P. Cat.

PLED II



FLAT S



FLAT M



FLAT L



Decorative

COMO C



COMO P



COMO S



COMO T



Decorative

BOSTON TE



BOSTON SE



TASMAN



BERLIN



V. Cat Highways and Major Roads

V. Cat.

V-LED MKII



V-LED MKIII



Decorative

BOSTON V



High Mast

H-LED



E-LED



Tunnels and Underpasses

Security

S-LED



Flood

FLUD



FLUD X



T-LED



V. Cat.

V-LED MKII



V-LED MKIII



Aldridge Roadway Lighting Solutions

LED street lights improve energy efficiency and affordability for local government, improve road safety and support the Government's smart city agenda.

Aldridge Traffic Systems (ATS) design and produce state of the art, smart city ready vehicle and pedestrian LED lighting for major arterial roads, tunnels, underpasses, major intersections, low-traffic urban roads, public space and car parks.

ATS has the technology and experience required to obtain the best illumination results for safe night time motoring - in all road conditions. Together with energy cost savings which far exceed expectations, ATS provide a total lighting solution for the safety of all road users and pedestrians.

ATS are involved with prominent roadway and pedestrian lighting projects throughout Australia and worldwide. ATS products and LED lighting systems utilise the latest technology, which can be customised to provide the most effective and efficient lighting schemes which comply with the requirements of Australian Standard AS/NZS1158 for both vehicle and pedestrian (V and P Categories). Our design service employs advanced technologies along with NATA photometric data in order to provide the best solutions to meet the most stringent lighting requirements.

Our experienced delivery team design, audit, deliver, install and maintain in all facets of this exciting industry.

This comprehensive brochure will make it easy to identify product options and to match Aldridge luminaires and lamp technology to your specific project.

Contact our sales team to discuss your next project:

+61 2 9701 9900 or info@aldriggetraffic.com.au



Accreditation No.
10378



Residential Roads



P-LED

Como

Boston

Flat

Berlin

12V 'P-LED'

P-LED II

Embraces both high performance and functionality in design. This incredible energy efficient P. Cat. road luminaire is designed with an advanced LED Optical System, that sets new standards for Roadway Lighting. Ranging from 13 Watts - 58 Watts.

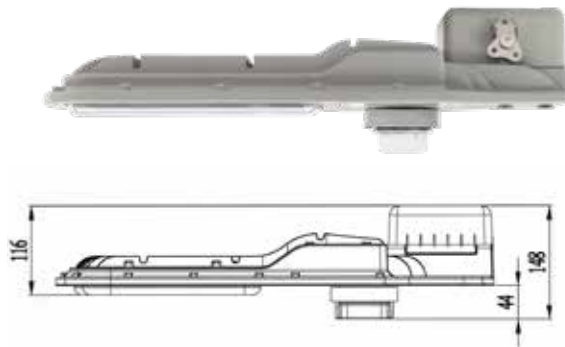
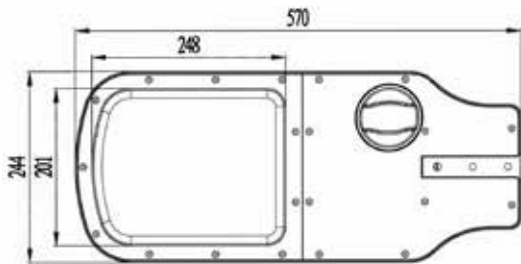
APPLICATIONS

- 'P' Category Roadways
- Suburban Roads
- Walkways
- Parks
- Including 'P4' & 'P5'
- Driveways
- Car Parks
- Security Lighting



ZHAGA, the next generation of Street Lighting Controller socket, is mounted onto our fittings and operated through a plug-and-play installation. It is the latest alternative, more compact DC connector, developed especially for today's contemporary designed LED light fittings. **Zhaga D4i Certified P-LED fittings** are future proof and available with both **Zhaga** and **NEMA** sockets. Developed according to a global lighting industry standard, **Zhaga** connectors can be deployed onto the P-LED range and integrated with our TST Smart City Solutions.

Dimensions



Features

- SmartCity Ready - TST compatibility Zigbee, LoRa, NBLoT
- High Performance Street Lighting luminaire designed to meet stringent Australian/New Zealand standards
- High Performance Optics designed to comply and meet Australian standards AS 1158.3.1 Cat. P
- Direct replacement of conventional P-category Mercury Vapour, Metal Halide, High Pressure Sodium and Fluorescent luminaires
- Integrated thermal management
- Segregated termination chamber c/w quick access latch
- Self cleaning housing and PMMA optical diffuser
- Diffuser, Semi cut-off, Aeroscreen diffuser (AE)
- 7-pin Nema receptacle (7PN)
- 20 year design life
- 10 year warranty

Technical Data

- Body:** High Pressure Marine Grade Die Cast Aluminum
- Optics:** P4 & P5 Distribution
- LED:** CREE
- Wattage:** 13 - 17 - 23 - 28 - 38 - 58 Watts
- Finishing:** Powder Coat Grey (Standard)
- Mounting:** 4 - 9 Metres
- Fixing:** Side Spigot mount (25-35mm NB) (42mm OD)
- IP rating:** IP66
- IK rating:** IK06
- Voltage:** 220V - 240V 50/60Hz
- Power Factor:** >0.9

Specification P-LED II

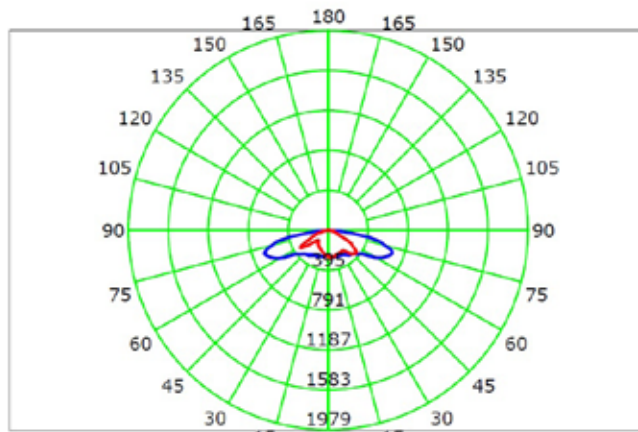
PRODUCT CODE	PLED.II.13W	PLED.II.14W	PLED.II.20W	PLED.II.30W	PLED.II.40W	PLED.II.60W
Photometric Distribution	P4 - P5	P4 - P5	P4 - P5	P4 - P5	P4 - P5	P4 - P5
Power (Watts)	13W	17W	23W	28W	38W	58W
Input Voltage (V)	220V - 240V 50/60Hz	220V - 240V 50/60Hz	220V - 240V 50/60Hz	220V - 240V 50/60Hz	220V - 240V 50/60Hz	220V - 240V 50/60Hz
CCT (K)	3000K/ 4000K/ 5000K	3000K/ 4000K/ 5000K	3000K/ 4000K/ 5000K	3000K/ 4000K/ 5000K	3000K/ 4000K/ 5000K	3000K/ 4000K/ 5000K
CRI (Ra)	Ra>70	Ra>70	Ra>70	Ra>70	Ra>70	Ra>70
IP Protection	IP66	IP66	IP66	IP66	IP66	IP66
IK Protection	IK06	IK06	IK06	IK06	IK06	IK06
Weight (Kg)-max.	5kg	5kg	5kg	6.8kg	6.8kg	7.4kg

Options

- DALI-2, D4i**
- Zhaga:** Street Lighting Controller
- Fuse Terminal Block: (FTB)**
- Surge Protection Device: 10KVA, 20KVA**
- Class II: (DB - Double Insulated)**
- Colour:** Grey (GR Standard), Black (BL)
- CCT:** 3000K, **4000K (Standard)**, 5000K
- Visor:** Glareshield/spill light kit (GV)



Photometric Design Data



— C0-C180 — C90-C270

Unit: cd

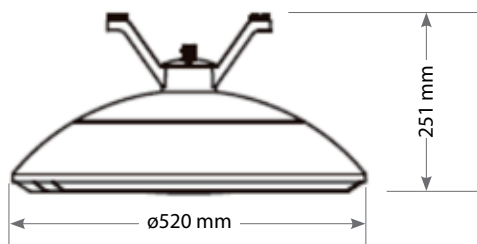
COMO Series

The COMO LED fitting is an energy efficient, low profile, street and area LED luminaire. This versatile range comes in 6 wattages and 4 mounting configurations, to complement contemporary and urban areas.

APPLICATIONS

- 'P' Category Roadways
- Suburban Roads
- Walkways
- Parks
- Driveways
- Car Parks
- Security Lighting

Dimensions



Features

- Designed to meet stringent Australian Standards
- Self cleaning housing and optical diffuser
- High Performance LED & Optics to meet AS/NZ1158
- Integrated thermal management
- Segregated termination point
- Hinged 'quick access latch'
- Complies with AS/NZ 1158.6 & AS/NZ 1158.1
- 10 year warranty

Options

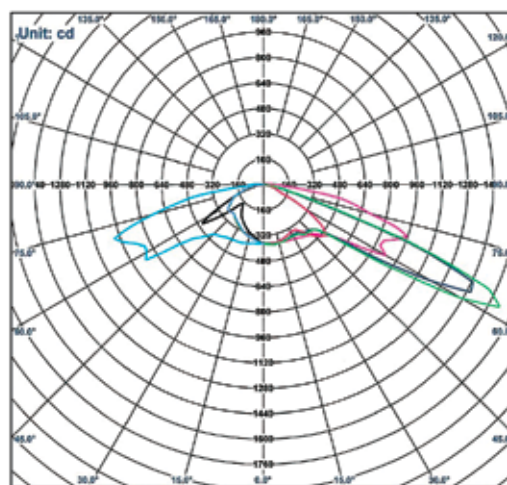
- **Photocell:** 7-pin Nema receptacle (7PN)
- **Fuse Terminal Block:** (FTB)
- **Surge Protection Device:** (SPD - 10KVA, 20KVA)
- **Class II:** (DB - Double Insulated)
- **Colour:** Black (BL), Grey (GR-Standard)
- **CCT:** 3000K, **4000K (Standard)**, 5000K
- **Visor:** Glareshield/spill light kit (GV)



Technical Data

- **Body:** High Pressure Marine Grade Die Cast Aluminum
- **Optics:** Type 3 Distribution
- **LED #:** CREE 24 - 48
- **Wattage:** 13 - 17 - 23 - 28 - 38 - 58 Watts
- **Finishing:** Powder Coat Grey (GR-Standard)
- **Mounting:** 4 - 9 Metres
- **Fixing:** Catenary Wire or Surface Mount
- **IP rating:** IP66
- **IK rating:** IK08
- **Voltage:** 240V 50/60Hz
- **Power Factor:** >0.9

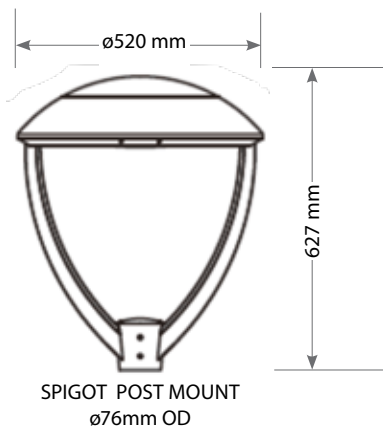
Photometric Design Data



Specification COMO-C - Catenary Wire

PRODUCT CODE	CM.C.12W	CM.C.14W	CM.C.20W	CM.C.30W	CM.C.40W	CM.C.60W
Photometric Distribution	T3	T3	T3	T3	T3	T3
Power (Watts)	13W	17W	23W	28W	38W	58W
Input Voltage (V)	220V - 240V 50/60Hz	220V - 240V 50/60Hz	220V - 240V 50/60Hz	220V - 240V 50/60Hz	220V - 240V 50/60Hz	220V - 240V 50/60Hz
CCT (K)	3000K/ 4000K/ 5000K	3000K/ 4000K/ 5000K	3000K/ 4000K/ 5000K	3000K/ 4000K/ 5000K	3000K/ 4000K/ 5000K	3000K/ 4000K/ 5000K
CRI (Ra)	Ra>70	Ra>70	Ra>70	Ra>70	Ra>70	Ra>70
IP Protection	IP66	IP66	IP66	IP66	IP66	IP66
IK Protection	IK06	IK06	IK06	IK06	IK06	IK06
Weight (Kg)-max.	<5kg	<5kg	<5kg	<5kg	6.8kg	7.4kg

Dimensions



Features

- Designed to meet stringent Australian Standards
- Self cleaning housing and optical diffuser
- High Performance LED and Optics to meet AS/NZ1158
- Integrated thermal management
- Segregated termination point
- Hinged 'quick access latch'
- Complies with AS/NZ 1158.6 & AS/NZ 1158.1
- 10 year warranty

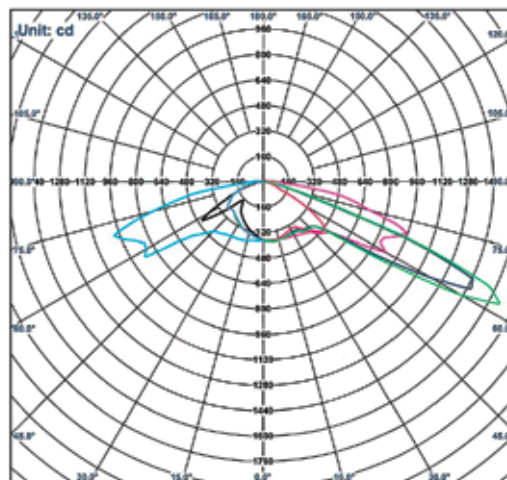
Options

- Photocell:** 7-pin Nema receptacle (7PN)
- Fuse Terminal Block:** (FTB)
- Surge Protection Device:** (SPD - 10KVA, 20KVA)
- Class II:** (DB - Double Insulated)
- Colour:** Black (BL), Grey (GR-Standard)
- CCT:** 3000K, **4000K (Standard)**, 5000K
- Visor:** Glareshield/spill light kit (GV)

Technical Data

- Body:** High Pressure Marine Grade Die Cast Aluminum
- Optics:** Type 3 Distribution
- LED #:** CREE 24 - 48
- Wattage:** 13 - 17 - 23 - 28 - 38 - 58 Watts
- Finishing:** Powder Coat Grey (GR-Standard)
- Mounting:** 4 - 9 Metres
- Fixing:** Post Mount
- IP rating:** IP66
- IK rating:** IK08
- Voltage:** 240V 50/60Hz
- Power Factor:** >0.9

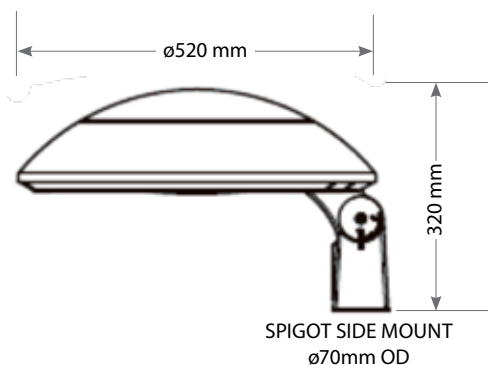
Photometric Design Data



Specification COMO-P - Post Mount

PRODUCT CODE	CM.P.12W	CM.P.14W	CM.P.20W	CM.P.30W	CM.P.40W	CM.P.60W
Photometric Distribution	T3	T3	T3	T3	T3	T3
Power (Watts)	13W	17W	23W	28W	38W	58W
Input Voltage (V)	220V - 240V 50/60Hz	220V - 240V 50/60Hz	220V - 240V 50/60Hz	220V - 240V 50/60Hz	220V - 240V 50/60Hz	220V - 240V 50/60Hz
CCT (K)	3000K/ 4000K/ 5000K	3000K/ 4000K/ 5000K	3000K/ 4000K/ 5000K	3000K/ 4000K/ 5000K	3000K/ 4000K/ 5000K	3000K/ 4000K/ 5000K
CRI (Ra)	Ra>70	Ra>70	Ra>70	Ra>70	Ra>70	Ra>70
IP Protection	IP66	IP66	IP66	IP66	IP66	IP66
IK Protection	IK06	IK06	IK06	IK06	IK06	IK06
Weight (Kg)-max.	<5kg	<5kg	<5kg	<5kg	6.8kg	7.4kg

Dimensions



Features

- Designed to meet stringent Australian Standards
- Self cleaning housing and optical diffuser
- High Performance LED and Optics to meet AS/NZ1158
- Integrated thermal management
- Segregated termination point
- Hinged 'quick access latch'
- Complies with AS/NZ 1158.6 & AS/NZ 1158.1
- 10 year warranty

Options

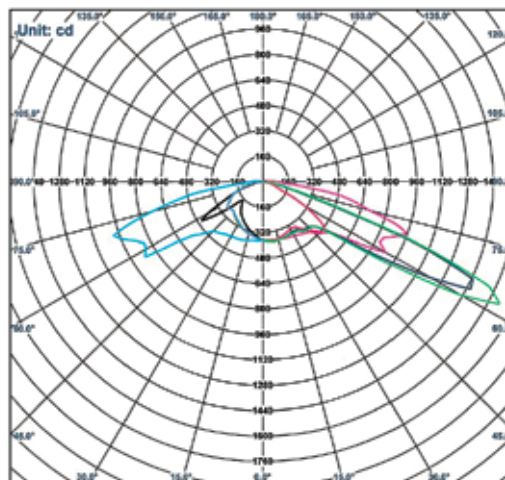
- Photocell:** 7-pin Nema receptacle (7PN)
- Fuse Terminal Block:** (FTB)
- Surge Protection Device:** (SPD - 10KVA, 20KVA)
- Class II:** (DB - Double Insulated)
- Colour:** Black (BL), Grey (GR-Standard)
- CCT:** 3000K, **4000K (Standard)**, 5000K
- Visor:** Glareshield/spill light kit (GV)

Technical Data

- Body:** High Pressure Marine Grade Die Cast Aluminum
- Optics:** Type 3 Distribution
- LED #:** CREE 24 - 48
- Wattage:** 13 - 17 - 23 - 28 - 38 - 58 Watts
- Finishing:** Powder Coat Grey (GR-Standard)
- Mounting:** 4 - 9 Metres
- Fixing:** Side Mount
- IP rating:** IP66
- IK rating:** IK08
- Voltage:** 240V 50/60Hz
- Power Factor:** >0.9



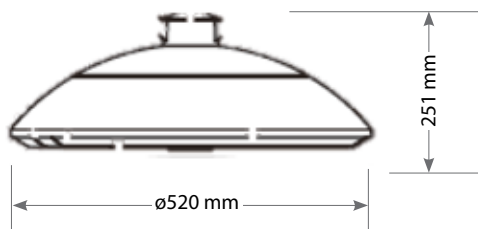
Photometric Design Data



Specification COMO-S - Side Mount

PRODUCT CODE	CM.S.12W	CM.S.14W	CM.S.20W	CM.S.30W	CM.S.40W	CM.S.60W
Photometric Distribution	T3	T3	T3	T3	T3	T3
Power (Watts)	13W	17W	23W	28W	38W	58W
Input Voltage (V)	220V - 240V 50/60Hz	220V - 240V 50/60Hz	220V - 240V 50/60Hz	220V - 240V 50/60Hz	220V - 240V 50/60Hz	220V - 240V 50/60Hz
CCT (K)	3000K/ 4000K/ 5000K	3000K/ 4000K/ 5000K	3000K/ 4000K/ 5000K	3000K/ 4000K/ 5000K	3000K/ 4000K/ 5000K	3000K/ 4000K/ 5000K
CRI (Ra)	Ra>70	Ra>70	Ra>70	Ra>70	Ra>70	Ra>70
IP Protection	IP66	IP66	IP66	IP66	IP66	IP66
IK Protection	IK06	IK06	IK06	IK06	IK06	IK06
Weight (Kg)-max.	<5kg	<5kg	<5kg	<5kg	6.8kg	7.4kg

Dimensions



Features

- Designed to meet stringent Australian Standards
- Self cleaning housing and optical diffuser
- High Performance LED & Optics to meet AS/NZ1158
- Integrated thermal management
- Segregated termination point
- Hinged 'quick access latch'
- Complies with AS/NZ 1158.6 & AS/NZ 1158.1
- 10 year warranty

Technical Data

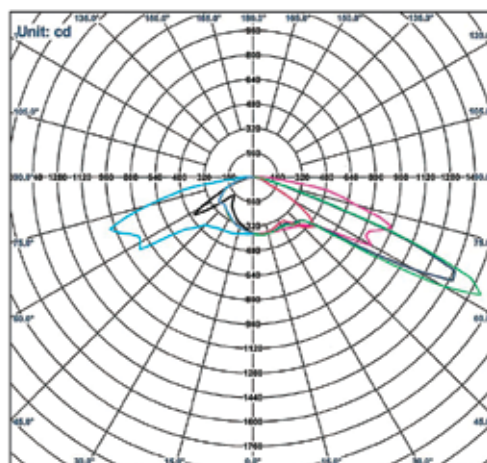
- Body:** High Pressure Marine Grade Die Cast Aluminum
- Optics:** Type 3 Distribution
- LED #:** CREE 24 - 48
- Wattage:** 13 - 17 - 23 - 28 - 38 - 58 Watts
- Finishing:** Powder Coat Grey (GR-Standard)
- Mounting:** 4 - 9 Metres
- Fixing:** Top Mount
- IP rating:** IP66
- IK rating:** IK08
- Voltage:** 240V 50/60Hz
- Power Factor:** >0.9

Options

- Photocell:** 7-pin Nema receptacle (7PN)
- Fuse Terminal Block:** (FTB)
- Surge Protection Device:** (SPD - 10KVA, 20KVA)
- Class II:** (DB - Double Insulated)
- Colour:** Black (BL), Grey (GR-Standard)
- CCT:** 3000K, **4000K (Standard)**, 5000K
- Visor:** Glareshield/spill light kit (GV)



Photometric Design Data



Specification COMO-T - Top Mount

PRODUCT CODE	CM.T.12W	CM.T.14W	CM.T.20W	CM.T.30W	CM.T.40W	CM.T.60W
Photometric Distribution	T3	T3	T3	T3	T3	T3
Power (Watts)	13W	17W	23W	28W	38W	58W
Input Voltage (V)	220V - 240V 50/60Hz	220V - 240V 50/60Hz	220V - 240V 50/60Hz	220V - 240V 50/60Hz	220V - 240V 50/60Hz	220V - 240V 50/60Hz
CCT (K)	3000K/ 4000K/ 5000K	3000K/ 4000K/ 5000K	3000K/ 4000K/ 5000K	3000K/ 4000K/ 5000K	3000K/ 4000K/ 5000K	3000K/ 4000K/ 5000K
CRI (Ra)	Ra>70	Ra>70	Ra>70	Ra>70	Ra>70	Ra>70
IP Protection	IP66	IP66	IP66	IP66	IP66	IP66
IK Protection	IK06	IK06	IK06	IK06	IK06	IK06
Weight (Kg)-max.	<5kg	<5kg	<5kg	<5kg	6.8kg	7.4kg



'Como' Installation – Henry Codd Reserve – Parkside SA

APPLICATIONS

- Suburban Roads
- Driveways
- School Grounds
- Pathways
- Shopping Malls
- Parklands

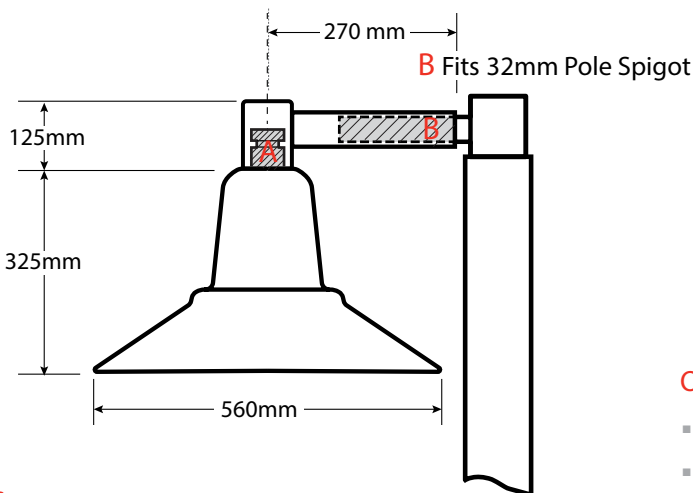
BOSTON SE & TE

Traditional shape lanterns for traditional suburban streets, urban areas and streetscapes.

The lantern reflector design eliminates unwanted upward light, providing higher lumination at ground level.

Dimensions

A Spigot as per AS/NZS1158



Features

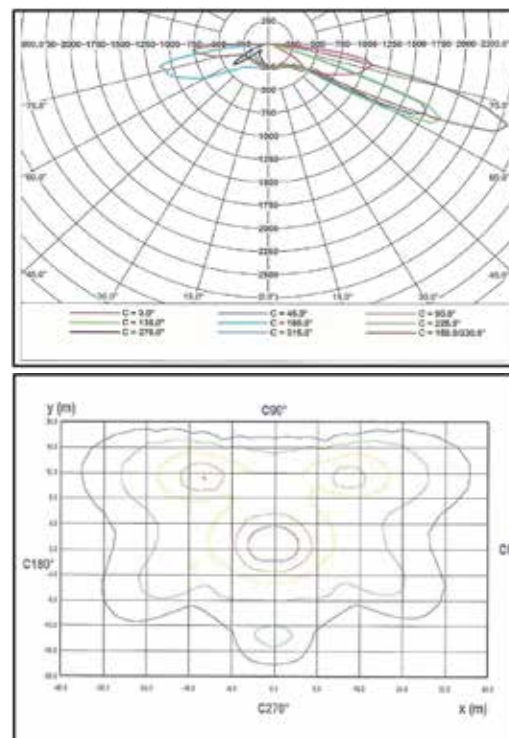
- Designed to meet stringent Australian Standards
- Self cleaning housing and PMMA optical diffuser
- High Performance LED and Optics to meet AS/NZ1158
- Integrated thermal management
- Hinged 'quick access latch'
- Complies with AS/NZ 1158.6 & AS/NZ 1158.1
- 10 year warranty

Options

- Photocell: 7-pin Nema receptacle (7PN)
- Fuse Terminal Block: (FTB)
- Surge Protection Device: (SPD - 10KVA, 20KVA)
- Class II: (DB - Double Insulated)
- Colour: Green (GR), Black (BK-Standard)
- CCT: 3000K, **4000K (Standard)**, 5000K
- Visor: Glareshield/spill light kit (GV)

Technical Data

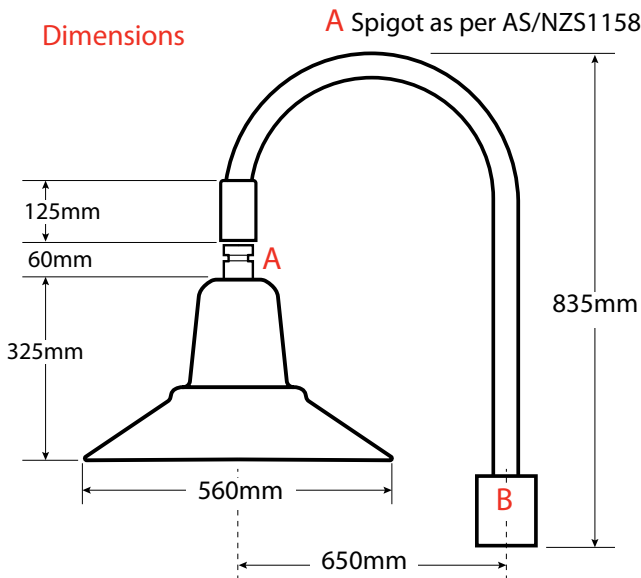
- Body:** High Pressure Marine Grade Die Cast Aluminum
- Optics:** P4 & P5 Distribution
- Wattage:** 15 - 17 - 23 - 30 Watts
- Finishing:** Powder Coat Black (Standard)
- Mounting:** 4 - 9 Metres
- Fixing:** Fits 32mm Pole Spigot
- IP rating:** IP66
- IK rating:** IK06
- Voltage:** 220 - 240V 50/60Hz
- Power Factor:** >0.9



Specification BOSTON-SE - Side Entry

PRODUCT CODE	BOS2.TE.515	BOS2.TE.514	BOS2.TE.520	BOS2.TE.530
Photometric Distribution	P4 - P5	P4 - P5	P4 - P5	P4 - P5
Power Watts (W)	15W	17W	23W	30Wncv8
Input Voltage (V)	220V - 240V 50/60Hz	220V - 240V 50/60Hz	220V - 240V 50/60Hz	220V - 240V 50/60Hz
CCT (K)	3000K/ 4000K/ 5000K	3000K/ 4000K/ 5000K	3000K/ 4000K/ 5000K	3000K/ 4000K/ 5000K
CRI (Ra)	Ra>70	Ra>70	Ra>70	Ra>70
IP Protection	IP66	IP66	IP66	IP66
IK Protection	IK06	IK06	IK06	IK06
Weight (Kg)-max.	15kg	15kg	15kg	15kg

Dimensions



Features

- Designed to meet stringen
- Self cleaning housing and PMMA optical diffuser
- High Performance LED & Optics to meet AS/NZ1158
- Integrated thermal management
- Hinged 'quick access latch'
- Complies with AS/NZ 1158.6 & AS/NZ 1158.1
- 10 year warranty

Options

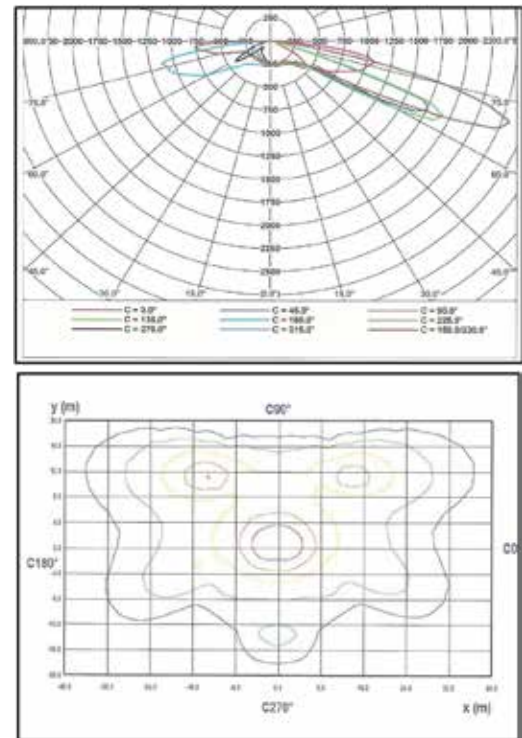
- **Photocell:** 7-pin Nema receptacle (7PN)
- **Fuse Terminal Block:** (FTB)
- **Surge Protection Device:** (SPD - 10KVA, 20KVA)
- **Class II:** (DB - Double Insulated)
- **Colour:** Green (GR), Black (BL-Standard)
- **CCT:** 3000K, **4000K (Standard)**, 5000K
- **Visor:** Glareshield/spill light kit (GV)



Technical Data

- **Body:** High Pressure Marine Grade Die Cast Aluminum
- **Optics:** P4 & P5 Distribution
- **Wattage:** 15 - 17 - 23 - 30 Watts
- **Finishing:** Powder Coat Black (Standard)
- **Mounting:** 4 - 9 Metres
- **Fixing:** Fits 32mm Pole Spigot
- **IP rating:** IP66
- **IK rating:** IK06
- **Voltage:** 220 - 240V 50/60Hz
- **Power Factor:** >0.9

Photometric Design Data



Specification BOSTON-TE - Top Entry

PRODUCT CODE	BOS2.TE.515	BOS2.TE.514	BOS2.TE.520	BOS2.TE.530
Photometric Distribution	P4 - P5	P4 - P5	P4 - P5	P4 - P5
Power Watts (W)	15W	17W	23W	30W
Input Voltage (V)	220V - 240V 50/60Hz	220V - 240V 50/60Hz	220V - 240V 50/60Hz	220V - 240V 50/60Hz
CCT (K)	3000K/ 4000K/ 5000K	3000K/ 4000K/ 5000K	3000K/ 4000K/ 5000K	3000K/ 4000K/ 5000K
CRI (Ra)	Ra>70	Ra>70	Ra>70	Ra>70
IP Protection	IP66	IP66	IP66	IP66
IK Protection	IK06	IK06	IK06	IK06
Weight (Kg)-max.	15kg	15kg	15kg	15kg



FLAT Series

Low profile street and area lighting system.

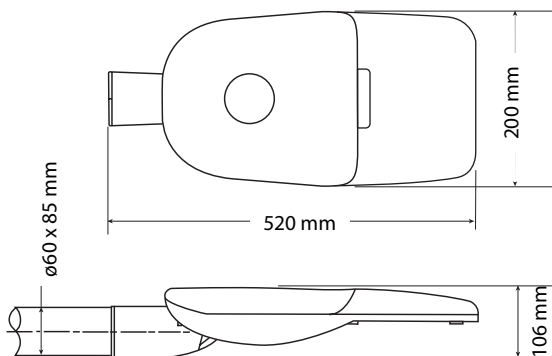
The FLAT is a versatile LED, available in three sizes, and 10 optic Wattages, suitable for ever changing landscapes, withstanding the test of time in hardware, optics and performance.

APPLICATIONS

- 'P' Category Roadways
- Suburban Roads
- Walkways
- Parks
- Including 'P4' & 'P5'
- Driveways
- Car Parks
- Security Lighting



Dimensions



Features

- Smart City Ready - TST compatibility Zigbee, LoRa, NBloT
- High Performance luminaire designed to meet stringent Australian Standards AS/NZS 1158.6
- High Performance Optics designed to meet and comply Australian standards AS1158.3.1
- Integrated thermal management
- Segregated termination point
- Hinged 'quick access latch'
- Self-cleaning housing and optical diffuser
- 7-pin Nema Receptacle (7PN)
- Supports DALI-2 connection and complies with D4i
- 10 year warranty

Technical Data

- Body:** High Pressure Marine Grade Die Cast Aluminum
- Optics:** Type T2, T3, T3M, T3N, T4, T4D Distribution
- LED #:** 8 - 16 - 24
- Wattage:** 20 - 25 - 30 - 40 - 60 Watts
- Finishing:** Powder Coat (Grey Standard)
- Mounting:** 4 - 6 Metres
- Fixing:** Top or Side Mount (60mm OD)
- IP rating:** IP66
- IK rating:** IK08
- Voltage:** 240V 50/60Hz
- Power Factor:** >0.9

Specification FLAT-S

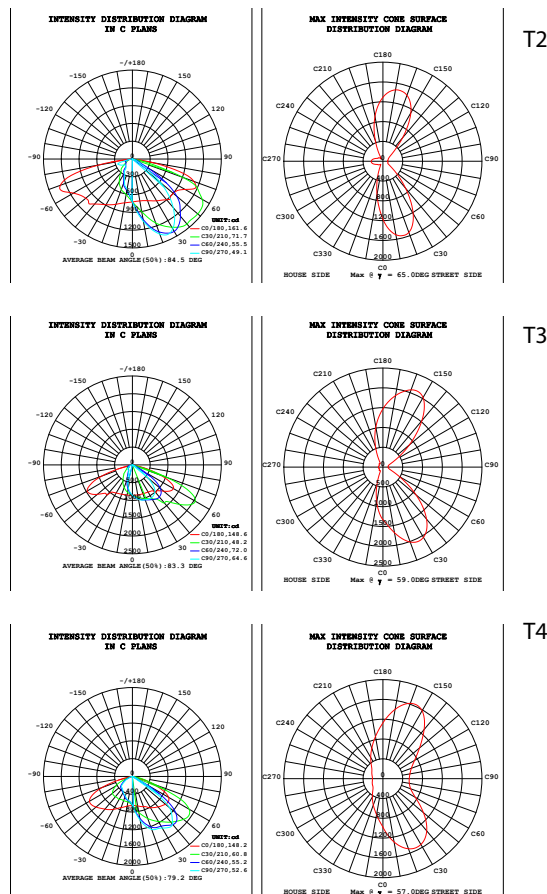


Options

- Fuse Terminal Block: (FTB)**
- Surge Protection Device: SPD - 10KVA, 20KVA**
- DALI-2, D4i**
- Street Light Controller: Zhaga**
- Class II: (DB - Double Insulated)**
- Colour: Black (BL), Grey (GR-Standard)**
- CCT: 3000K, 4000K (Standard), 5000K**
- Visor: Glaeshield/spill light kit (GV)**
- Spigot Adapters Available: 60mm to 34mm, 60mm to 42mm (OD), 60mm to 48mm (OD)**

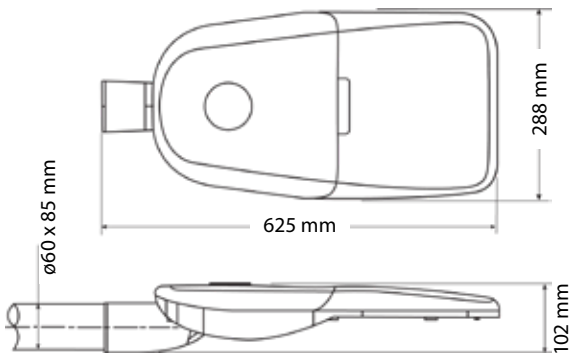


Photometric Design Data



PRODUCT CODE	FL.S.20W	FL.S.25W	FL.S.30W	FL.S.40W	FL.S.60W
Photometric Distribution	T2, T3, T3M, T3N, T4, T4D	T2, T3, T3M, T3N, T4, T4D	T2, T3, T3M, T3N, T4, T4D	T2, T3, T3M, T3N, T4, T4D	T2, T3, T3M, T3N, T4, T4D
System Watts	20	25	30	40	60
Input Voltage (V)	240	240	240	240	240
CCT (K)	4000	4000	4000	4000	4000
CRI	Ra>70	Ra>70	Ra>70	Ra>70	Ra>70
IP Protection	IP66	IP66	IP66	IP66	IP66
IK Protection	IK08	IK08	IK08	IK08	IK08
Weight (Kg) - max.	6.1	6.1	6.1	6.2	6.2

Dimensions



Features

- Smart City Ready - TST compatibility Zigbee, LoRa, NBLoT
- High Performance luminaire designed to meet stringent Australian Standards AS/NZS 1158.6
- High Performance Optics designed to meet and comply Australian standards AS1158.1.1 Cat.V
- Integrated thermal management
- Segregated termination point
- Hinged 'quick access latch'
- Self-cleaning housing and optical diffuser
- 7-pin Nema Receptacle (7PN)
- Supports DALI-2 connection and complies with D4i
- 10 year warranty

Options

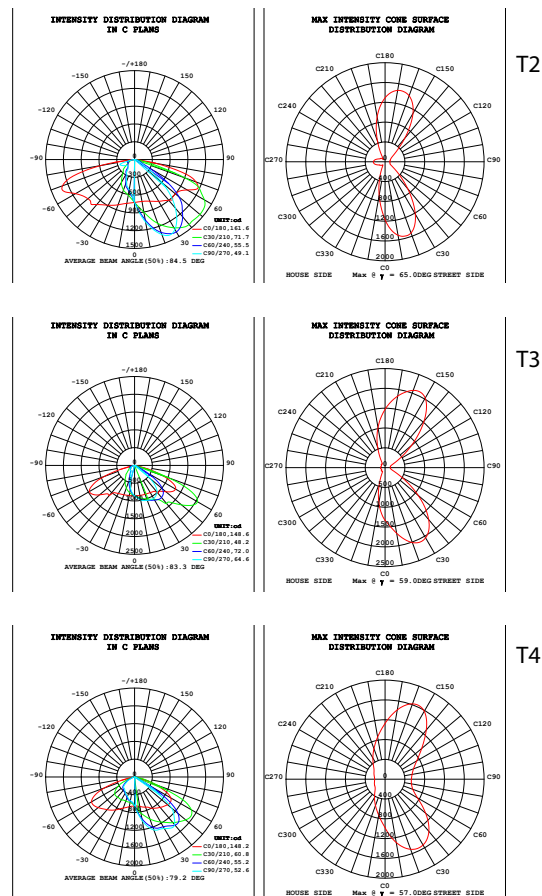
- Fuse Terminal Block: (FTB)
- Surge Protection Device: SPD - 10KVA, 20KVA
- DALI-2, D4i
- Street Light Controller: Zhaga
- Class II: (DB - Double Insulated)
- Colour: Black (BL), Grey (GR-Standard)
- CCT: 3000K, **4000K (Standard)**, 5000K
- Visor: Glareshield/spill light kit (GV)
- Spigot Adapters Available: 60mm to 34mm, 60mm to 42mm (OD), 60mm to 48mm (OD)



Technical Data

- Body:** High Pressure Marine Grade Die Cast Aluminum
- Optics:** Type T2, T3, T3M, T3N, T4, T4D Distribution
- LED #:** 24 - 32 - 48
- Wattage:** 60 - 75 - 100 - 120 - 150 Watts
- Finishing:** Powder Coat (Grey Standard)
- Mounting:** 6 - 9 Metres
- Fixing:** Top or Side Mount (60mm OD)
- IP rating:** IP66
- IK rating:** IK08
- Voltage:** 240V 50/60Hz
- Power Factor:** >0.9

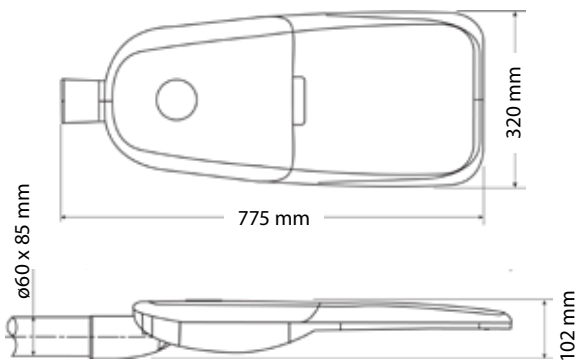
Photometric Design Data



Specification FLAT-M

PRODUCT CODE	FL.M.60W	FL.M.75W	FL.M.100W	FL.M.120W	FL.M.150W
Photometric Distribution	T2, T3, T3M, T3N, T4, T4D	T2, T3, T3M, T3N, T4, T4D	T2, T3, T3M, T3N, T4, T4D	T2, T3, T3M, T3N, T4, T4D	T2, T3, T3M, T3N, T4, T4D
System Watts	60	75	100	120	150
Input Voltage (V)	240	240	240	240	240
CCT (K)	4000	4000	4000	4000	4000
CRI	Ra>70	Ra>70	Ra>70	Ra>70	Ra>70
IP Protection	IP66	IP66	IP66	IP66	IP66
IK Protection	IK08	IK08	IK08	IK08	IK08
Weight (Kg) - max.	7.5	7.6	7.6	7.6	7.6

Dimensions



Features

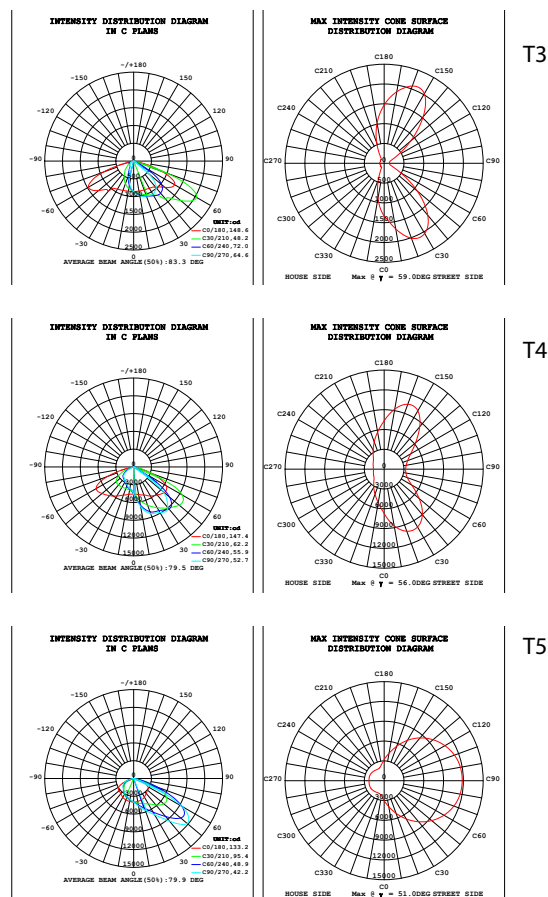
- Smart City Ready - TST compatibility Zigbee, LoRa, NBLoT
- High Performance luminaire designed to meet stringent Australian Standards AS/NZS 1158.6
- High Performance Optics designed to meet and comply Australian standards AS1158.1.1 Cat.V
- Integrated thermal management
- Segregated termination point
- Hinged 'quick access latch'
- Self-cleaning housing and optical diffuser
- 7-pin Nema Receptacle (7PN)
- Supports DALI-2 connection and complies with D4i
- 10 year warranty

Options

- Fuse Terminal Block: (FTB)
- Surge Protection Device: SPD - 10KVA, 20KVA
- DALI-2, D4i
- Class II: (DB - Double Insulated)
- Colour: Black (BL), Grey (GR-Standard)
- CCT: 3000K, **4000K (Standard)**, 5000K
- Visor: Glareshield/spill light kit (GV)
- Spigot Adapters Available: 60mm to 34mm, 60mm to 42mm (OD), 60mm to 48mm (OD)



Photometric Design Data



Technical Data

- Body:** High Pressure Marine Grade Die Cast Aluminum
- Optics:** Type T3, T3M, T3N, T4, T4D, T5 Distribution
- LED #:** 48 - 64 - 96
- Wattage:** 150 - 180 - 200 Watts
- Finishing:** Powder Coat (Grey Standard)
- Mounting:** 7 - 12 Metres
- Fixing:** Top or Side Mount (60mm OD)
- IP rating:** IP66
- IK rating:** IK08
- Voltage:** 240V 50/60Hz
- Power Factor:** >0.9

Specification FLAT-L

PRODUCT CODE	FL.L.150W	FL.L.180W	FL.L.200W
Photometric Distribution	T3, T3M, T3N, T4, T4D, T5	T3, T3M, T3N, T4, T4D, T5	T3, T3M, T3N, T4, T4D, T5
System Watts	150	180	200
Input Voltage (V)	240	240	240
CCT (K)	4000	4000	4000
CRI	Ra>70	Ra>70	Ra>70
IP Protection	IP66	IP66	IP66
IK Protection	IK08	IK08	IK08
Weight (Kg) - max.	10.6	10.6	10.6

BERLIN

Nostalgic yet modern, the Berlin LED luminaire is perfect for traditional suburban streets, urban areas and streetscapes.

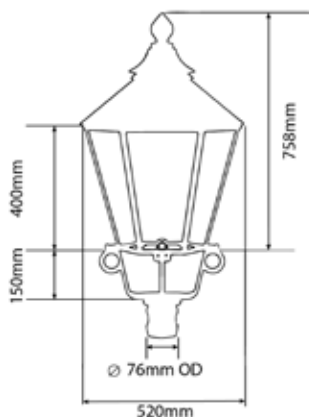
The lantern reflector design eliminates unwanted upward light, providing higher lumination at ground level.

APPLICATIONS

- 'P' Category Roadways
- Suburban Roads
- Walkways
- Parks
- Including 'P4' & 'P5'
- Driveways



Dimensions



Features

- Designed to meet stringent Australian Standards
- Self cleaning housing and optical diffuser
- High Performance LED & Optics to meet AS/NZ1158
- Integrated thermal management
- Segregated termination point
- Hinged 'quick access latch'
- Complies with AS/NZ 1158.6 & AS/NZ 1158.1
- 10 year warranty

Options

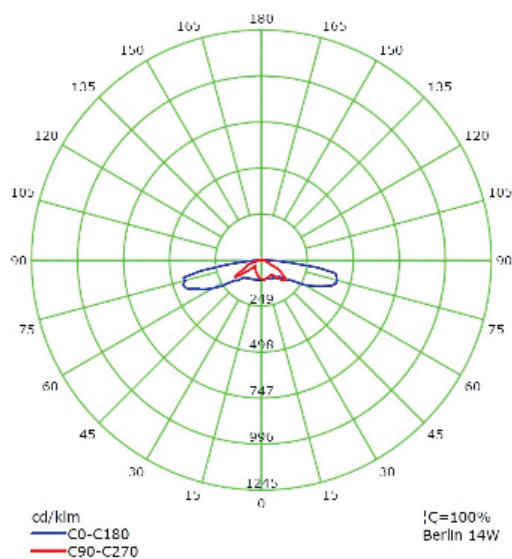
- Photocell:** 7-pin Nema receptacle (7PN)
- Fuse Terminal Block:** (FTB)
- Surge Protection Device:** (SPD - 10KVA, 20KVA)
- Class II:** (DB - Double Insulated)
- Colour:** Grey (GR-Standard)
- CCT:** 3000K, **4000K (Standard)**, 5000K
- Visor:** Glareshield/spill light kit (GV)

Technical Data

- Body:** High Pressure Die-cast aluminum (marine grade)
- LED #:** CREE
- Optics:** P4, P5
- Wattage:** 13 - 17 - 23 - 28 - 38 - 58 Watts
- Finishing:** Powder Coat
- Mounting:** 4 - 9 Metres
- Fixing:** Post Top Mount (76mm OD)
- IP rating:** IP66
- IK rating:** IK06
- Voltage:** 240V 50/60Hz
- Power Factor:** >0.9

Photometric Design Data

Luminous Intensity Distribution Curve(cd/klm)



Specification BERLIN

PRODUCT CODE	BER512	BER514	BER520	BER527	BER537	BER557
Photometric Distribution	P4 - P5	P4 - P5	P4 - P5	P4 - P5	P4 - P5	P4 - P5
Power Watts (W)	13W	17W	23W	28W	38W	58W
Input Voltage (V)	220V - 240V 50/60Hz	220V - 240V 50/60Hz	220V - 240V 50/60Hz	220V - 240V 50/60Hz	220V - 240V 50/60Hz	220V - 240V 50/60Hz
CCT (K)	3000K/ 4000K/ 5000K	3000K/ 4000K/ 5000K	3000K/ 4000K/ 5000K	3000K/ 4000K/ 5000K	3000K/ 4000K/ 5000K	3000K/ 4000K/ 5000K
CRI (Ra)	Ra>70	Ra>70	Ra>70	Ra>70	Ra>70	Ra>70
IP Protection	IP66	IP66	IP66	IP66	IP66	IP66
IK Protection	IK06	IK06	IK06	IK06	IK06	IK06
Weight (Kg)-max.	15kg	15kg	15kg	15kg	15kg	15kg



APPLICATIONS

- 'P' Category Roadways Including 'P4' & 'P5'
- Heritage Towns
- Suburban Roads
- Walkways
- Laneways
- Parks
- Driveways

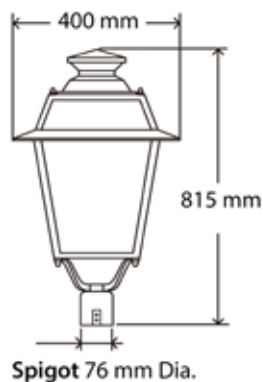
TASMAN

The classic charm of the Tasman is designed for the heritage town using LED optics.

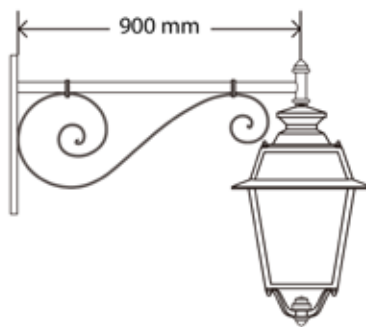
With a touch of nostalgia, this luminaire combined with our standard 'P' Category light engine meets AS1158.3.1 Cat. P standards.



Dimensions



Top Mount Scroll Bracket



Bottom Mount Scroll Bracket



Features

- Smart City Ready - TST compatibility Zigbee, LoRa, NBLoT
- High Performance Street Lighting luminaire designed to meet stringent Australian/New Zealand standards
- High Performance Optics designed to comply and meet Australian standards AS 1158.3.1 Cat. P
- Direct replacement of conventional P-category Mercury Vapour, Metal Halide, High Pressure Sodium and Fluorescent luminaires
- Integrated thermal management
- 10 year warranty

Technical Data

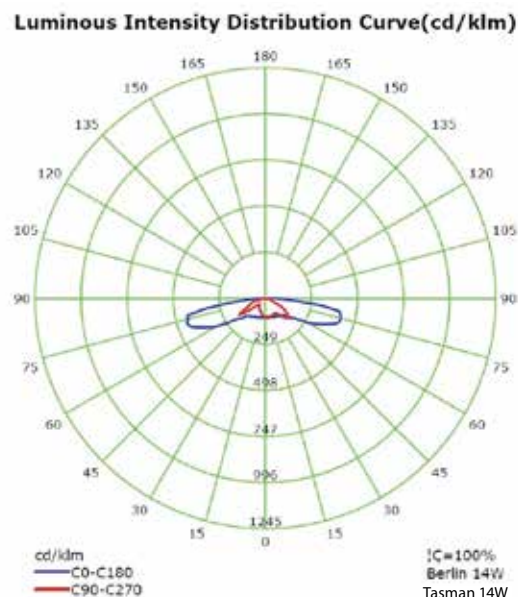
- Body & Frame:** High Pressure Die-cast aluminum (marine grade)
- Screw Fixings:** Decorative brass
- LED #:** CREE
- Optics:** P4, P5 Distribution
- Wattage:** 13 - 17 - 23 - 28 - 38 - 58 Watts
- Finishing:** Black (Black Standard)
- Mounting:** 4 - 9 Metres
- Fixing:** Post Top or Wall Mount. Spigot for post top mounting can accommodate Ø42, Ø60 or Ø76 mm Poles
- IP rating:** IP66
- IK rating:** IK8
- Voltage:** 220V - 240V 50/60Hz
- Power Factor:** >0.9

Options

- Photocell:** 7-pin Nema receptacle (7PN)
- Fuse Terminal Block:** (FTB)
- Surge Protection Device:** (SPD - 10KVA, 20 KVA)
- Class II:** (DB - Double Insulated)
- Colour:** Black (BL Standard), White (WH), Grey (GR)
- CCT:** 3000K, **4000K (Standard)**, 5000K
- Glass:** Opaque, Frosted or Clear (no glass)



Photometric Design Data



Specification TASMAN

PRODUCT CODE	TAS.13W	TAS.14W	TAS.20W	TAS.30W	TAS.40W	TAS.60W
Photometric Distribution	P4 - P5	P4 - P5	P4 - P5	P4 - P5	P4 - P5	P4 - P5
Power Watts (W)	13W	17W	23W	28W	38W	58W
Input Voltage (V)	220V - 240V 50/60Hz	220V - 240V 50/60Hz	220V - 240V 50/60Hz	220V - 240V 50/60Hz	220V - 240V 50/60Hz	220V - 240V 50/60Hz
CCT (K)	3000K/ 4000K/ 5000K	3000K/ 4000K/ 5000K	3000K/ 4000K/ 5000K	3000K/ 4000K/ 5000K	3000K/ 4000K/ 5000K	3000K/ 4000K/ 5000K
CRI (Ra)	Ra>70	Ra>70	Ra>70	Ra>70	Ra>70	Ra>70
IP Protection	IP66	IP66	IP66	IP66	IP66	IP66
IK Protection	IK8	IK8	IK8	IK8	IK8	IK8
Weight (Kg)-max.	7kg	7kg	7kg	7kg	7kg	7kg

Highway & Major Road Luminaires

Aldridge Smart City LED road lighting and Smart Technology provides a major step towards the government targets to reduce carbon emissions and increase energy efficiency within our roadway and public space infrastructure.

Aldridge comprehensive lighting solutions, address the key areas of efficiency and more importantly the safety of the motorist. LED lighting provides clearer illumination within the roadway infrastructure, especially important for accident black spots on major roads and highways.

Aldridge delivers incredible photometric outputs that meet and exceed the most challenging of high mast schemes. The custom NEMA optics deliver consistent and uniform light levels so anyone can confidently navigate the well-lit areas with ease.

Highways and Major Roads



V-LED MK II

V-LED MK III

H-LED

E-LED



V-LED MKII

The V-LED MKII is a High Performance, Energy Efficient, Tunnel and Underpass Lighting Luminaire. Designed with an advanced LED Optical System, that sets new standards for 'V' Category Roadway Lighting. Proudly Designed in Australia by ATS.



APPLICATIONS

- Tunnels
- Underpasses
- Freeways
- Expressways
- Highways
- Motorways

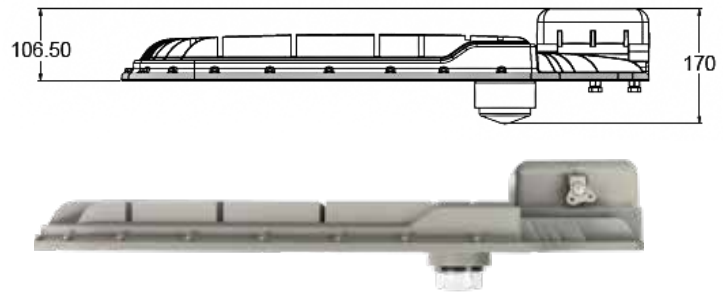
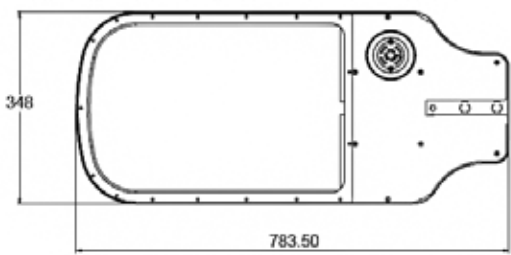
'V-LED' Installation – Tasman Bridge, Tasmania

Specification V-LED MKII

PRODUCT CODE	V65W	V75W	V85W	V100W	V128W	V137W	V155W
Photometric Distribution	T5	T5	T5	T2, T3, T5FT	T5	T5	T5FT
Power Watts (W)	65W	70W	80W	100W	128W	137W	155W
Input Voltage (V)	220V - 240V 50/60Hz	220V - 240V 50/60Hz	220V - 240V 50/60Hz	220V - 240V 50/60Hz	220V - 240V 50/60Hz	220V - 240V 50/60Hz	220V - 240V 50/60Hz
CCT (K)	3000K/ 4000K/ 5000K	3000K/ 4000K/ 5000K	3000K/ 4000K/ 5000K	3000K/ 4000K/ 5000K	3000K/ 4000K/ 5000K	3000K/ 4000K/ 5000K	3000K/ 4000K/ 5000K
CRI (Ra)	Ra>70	Ra>70	Ra>70	Ra>70	Ra>70	Ra>70	Ra>70
IP Protection	IP65	IP65	IP65	IP65	IP65	IP65	IP65
IK Protection	IK06	IK06	IK06	IK06	IK06	IK06	IK06
Weight (Kg) Remote Gear: Less 1.8Kg	<12kg	<12kg	<12kg	<12kg	<12kg	<12kg	<12kg



Dimensions



Features

- Smart City Ready - TST compatibility Zigbee, LoRa, NBloT
- High Performance roadway luminaire designed to meet stringent Australian/New Zealand road lighting standard, AS/NZS 60698.2.3 & AS/NZS TS 1158.6
- High Performance Optics designed to comply and meet Australian standards AS1158-1.1 Cat V
- Direct replacement of conventional V - category High Pressure Sodium and Metal Halide luminaires
- Aeroscreen (std) diffuser
- 7-pin Nema receptacle (7PN)
- Integrated thermal management
- Segregated termination chamber c/w quick access
- 20 year Design Life
- 10 year warranty

Technical Data

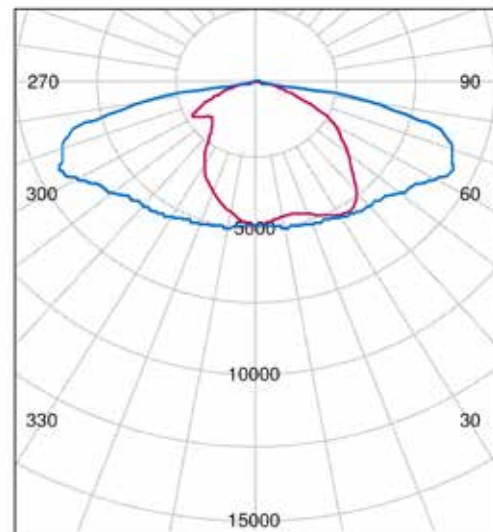
- Body:** High Pressure Marine Grade Die Cast Aluminum
- Optics:** Type **5 (Standard)**, 2 - 3, 5FT (Forward Throw)
- LED:** CREE
- Wattage:** 65 - 75 - 85 - 100 - 128 - 137 - 155 - 175 - 198 - 200 - 205 - 265 - 298 - 300 Watts
- Finishing:** Powder Coat (Grey Standard)
- Mounting:** 9 - 15 Metres
- Fixing:** Side Spigot mount (32-40mm NB) (49mm OD)
- IP rating:** IP65
- IK rating:** IK06
- Voltage:** 220V - 240V 50/60Hz
- Power Factor:** >0.9

Options

- Zhaga:** Street Lighting Controller
- DALI-2, D4i**
- 3 in 1 Dimming without DALI-2**
- Fuse Terminal Block:** (FTB)
- Surge Protection Device:** (SPD - 10KVA, 20KVA)
- Class II:** (DB - Double Insulated)
- Colour:** Black (BL), Grey (GR - Standard)
- CCT:** 3000K, **4000K (Standard)**, 5000k
- Visor:** Glare shield/spill light kit (GV)
- Remote Gear:** (RG)
- 5 Deg Tilt Adjustment Adapter** (STA)



Photometric Design Data



cd/klm
 — CO-C180
 — C90-C270

Specification V-LED MKII - Cont.

PRODUCT CODE	V175W	V198W	V200W	V205W	V265W	V298W	V300W
Photometric Distribution	T5	T2, T3	T3, T5FT	T5	T5	T2, T3	T3, T5FT
Power Watts (W)	175W	198W	200W	205W	240W	250W	300W
Input Voltage (V)	220V - 240V 50/60Hz	220V - 240V 50/60Hz	220V - 240V 50/60Hz	220V - 240V 50/60Hz	220V - 240V 50/60Hz	220V - 240V 50/60Hz	220V - 240V 50/60Hz
CCT (K)	3000K/ 4000K/ 5000K	3000K/ 4000K/ 5000K	3000K/ 4000K/ 5000K	3000K/ 4000K/ 5000K	3000K/ 4000K/ 5000K	3000K/ 4000K/ 5000K	3000K/ 4000K/ 5000K
CRI (Ra)	Ra>70	Ra>70	Ra>70	Ra>70	Ra>70	Ra>70	Ra>70
IP Protection	IP65	IP65	IP65	IP65	IP65	IP65	IP65
IK Protection	IK06	IK06	IK06	IK06	IK06	IK06	IK06
Weight (Kg) Remote Gear: Less 1.8Kg	<12kg	<12kg	<12kg	<12kg	<12kg	<12kg	<12kg

V-LED MKIII

The V-LED MKIII is a High Performance, Energy Efficient, Tunnel and Underpass Lighting Luminaire. Designed with an advanced LED Optical System, that sets a new standard for 'V' Category Roadway Lighting. Proudly Designed in Australia by ATS.

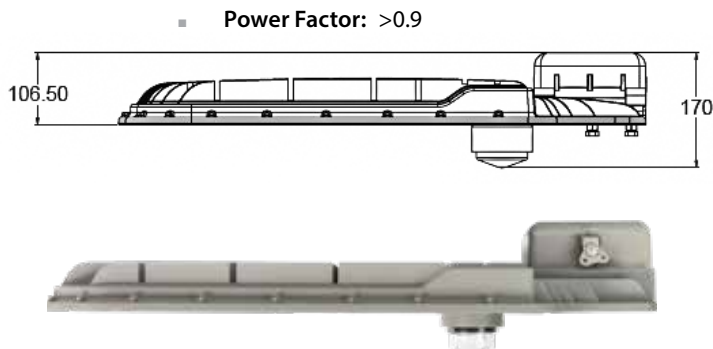
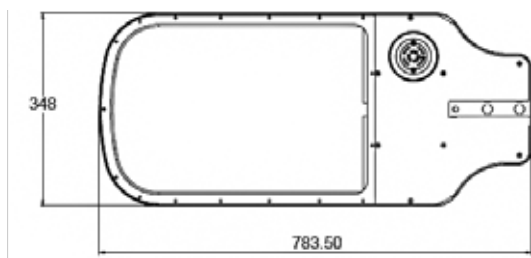
APPLICATIONS

- Tunnels
- Underpasses
- Freeways
- Expressways
- Highways
- Motorways



ZHAGA, the next generation of Street Lighting Controller socket, is mounted onto our fittings and operated through a plug-and-play installation. It is the latest alternative, more compact DC connector, developed especially for today's contemporary designed LED light fittings. **Zhaga D4i Certified P-LED fittings** are future proof and available with both **Zhaga** and **NEMA** sockets. Developed according to a global lighting industry standard, **Zhaga** connectors can be deployed onto the V-LED range and integrated with our TST Smart City Solutions.

Dimensions



- Power Factor: >0.9

Features

- Smart City Ready - TST compatibility Zigbee, LoRa, NBloT
- High Performance roadway luminaire designed to meet stringent Australian/New Zealand road lighting standard, AS/NZS 60698.2.3 & AS/NZS TS 1158.6
- High Performance Optics designed to comply and meet Australian standards AS1158-1.1 Cat V
- Direct replacement of conventional V - Category High Pressure Sodium and Metal Halide luminaires
- Aeroscreen (std) diffuser
- 7-pin Nema receptacle (7PN)
- Integrated thermal management
- Supports DALI-2 connection and complies with D4i
- Segregated termination chamber c/w quick access
- 20 year Design Life
- 10 year warranty

Options

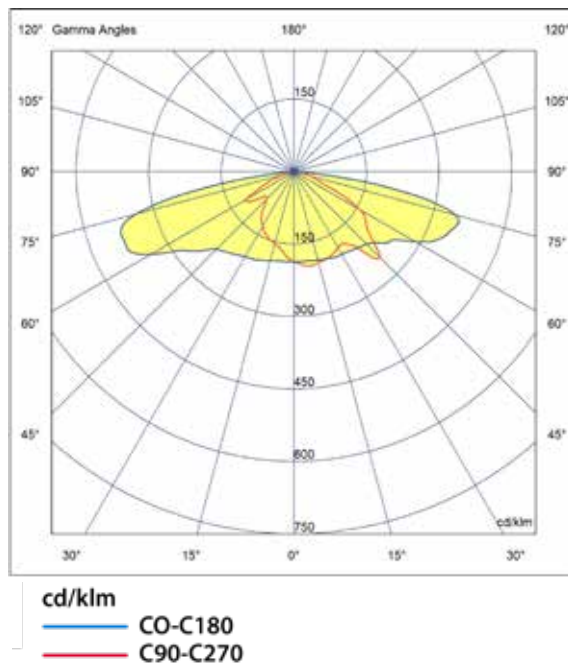
- Zhaga: Street Lighting Controller
- DALI-2, D4i
- 3 in 1 Dimming without DALI-2
- Fuse Terminal Block: (FTB)
- Surge Protection Device: (SPD - 10KVA, 20KVA)
- Class II: (DB - Double Insulated)
- Colour: Black (BL), Grey (GR - Standard)
- CCT: 3000K, **4000K (Standard)**, 5000k
- Visor: Glare shield/spill light kit (GV)
- Remote Gear: (RG)
- 5 Deg Tilt Adjustment Adapter (5TA)



Technical Data

- Body:** High Pressure Marine Grade Die Cast Aluminum
- Optics:** Type 5 - FT (Forward Throw)
- LED:** CREE
- Wattage:** 75 - 147 - 170 - 290 Watts
- Finishing:** Powder Coat (Grey Standard)
- Mounting:** 9 - 15 Metres
- Fixing:** Side Spigot mount (32-40mm NB) (49mm OD)
- IP rating:** IP65
- IK rating:** IK06
- Voltage:** 220V - 240V 50/60Hz

Photometric Design Data



Specification V-LED MKIII – FT

PRODUCT CODE	V75WT5FT	V147WT5FT	V170WT5FT	V290WT5FT
Photometric Distribution	T5FT	T5FT	T5FT	T5FT
Power Watts (W)	75W	147W	170W	290W
Input Voltage (V)	220V - 240V 50/60Hz	220V - 240V 50/60Hz	220V - 240V 50/60Hz	220V - 240V 50/60Hz
CCT (K)	3000K/ 4000K/ 5000K	3000K/ 4000K/ 5000K	3000K/ 4000K/ 5000K	3000K/ 4000K/ 5000K
CRI (Ra)	Ra>70	Ra>70	Ra>70	Ra>70
IP Protection	IP65	IP65	IP65	IP65
IK Protection	IK06	IK06	IK06	IK06
Weight (Kg) Remote Gear: Less 1.8Kg	<12kg	<12kg	<12kg	<12kg

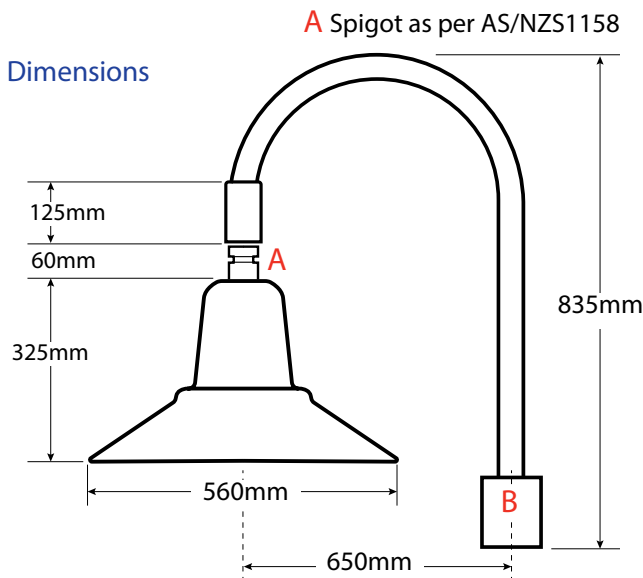
BOSTON V

Traditional lanterns for vintage streets, urban areas and streetscapes.

The lantern reflector design eliminates unwanted upward light, providing higher lumination at ground level.

APPLICATIONS

- 'V' Cat. Roads
- Intersections
- Large Carparks
- Pedestrian Malls



Features

- Designed to meet stringent Australian Standards
- Self cleaning housing and PMMA optical diffuser
- High Performance LED & Optics to meet AS/NZ1158
- Integrated thermal management
- Hinged 'quick access latch'
- Complies with AS/NZ 1158.6 & AS/NZ 1158.1
- 10 year warranty

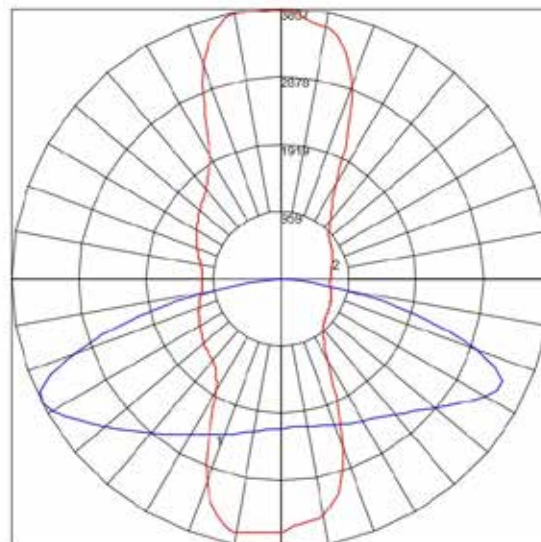
Technical Data

- **Body:** High Pressure Die Cast Aluminum
- **Optics:** Distribution - V T5 CAT
- **LED #:** 162
- **Wattage:** 60 - 75 - 155 - 175 Watts
- **Finishing:** Powder Coat Black (Black Standard)
- **Mounting:** 6 - 10 Metres
- **Fixing:** Pole Top Spigot Mount (76mm OD)
- **IP rating:** IP65
- **IK rating:** IK06
- **Voltage:** 220V - 240V 50/60Hz
- **Power Factor:** >0.9

Options

- **Photocell:** 7-pin Nema receptacle (7PN)
- **Fuse Terminal Block:** (FTB)
- **Surge Protection Device:** (SPD - 10KVA, 20KVA)
- **Class II:** (DB - Double Insulated)
- **Colour:** Green (GR), Black (BL-Standard)
- **CCT:** 3000K, **4000K (Standard)**, 5000K
- **Visor:** Glareshield/spill light kit (GV)

IES ROAD REPORT
PHOTOMETRIC FILENAME : L SPT-210123.IES
POLAR GRAPH

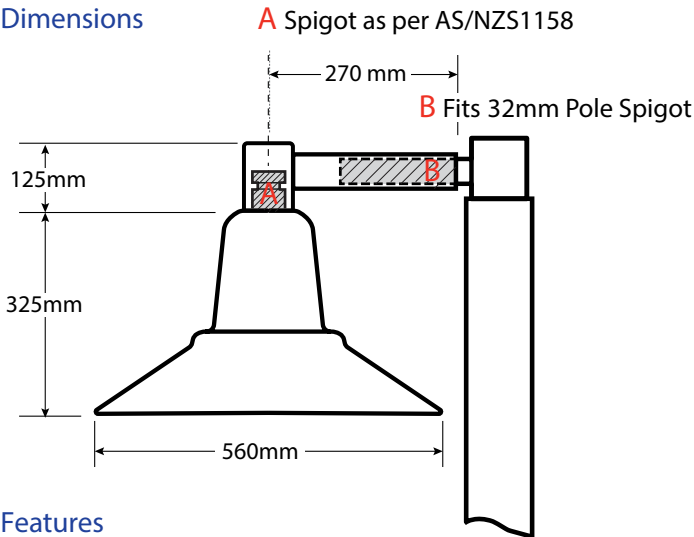


Maximum Candela = 3837.46 Located At Horizontal Angle = 99, Vertical Angle = 62.5
1 - Vertical Plane Through Horizontal Angles (99 - 279) (Through Max. Cd.)
2 - Horizontal Cone Through Vertical Angle (62.5) (Through Max. Cd.)

Specification BOSTON - Top Entry

PRODUCT CODE	BV60WBTA	BV75WBTA	BV155WBTA	BV175WBTA
Photometric Distribution	T5	T5	T5	T5
Power Watts (W)	60W	75W	155W	175W
Input Voltage (V)	220V - 240V 50/60Hz	220V - 240V 50/60Hz	220V - 240V 50/60Hz	220V - 240V 50/60Hz
CCT (K)	3000K/ 4000K/ 5000K	3000K/ 4000K/ 5000K	3000K/ 4000K/ 5000K	3000K/ 4000K/ 5000K
CRI (Ra)	Ra>75	Ra>75	Ra>75	Ra>75
IP Protection	IP65	IP65	IP65	IP65
IK Protection	IK06	IK06	IK06	IK06
Weight (Kg)-max.	10kg	10kg	10kg	10kg

Dimensions



Features

- Designed to meet stringent Australian Standards
- Self cleaning housing and PMMA optical diffuser
- High Performance LED & Optics to meet AS/NZ1158
- Integrated thermal management
- Hinged 'quick access latch'
- Complies with AS/NZ 1158.6 & AS/NZ 1158.1
- 10 year warranty

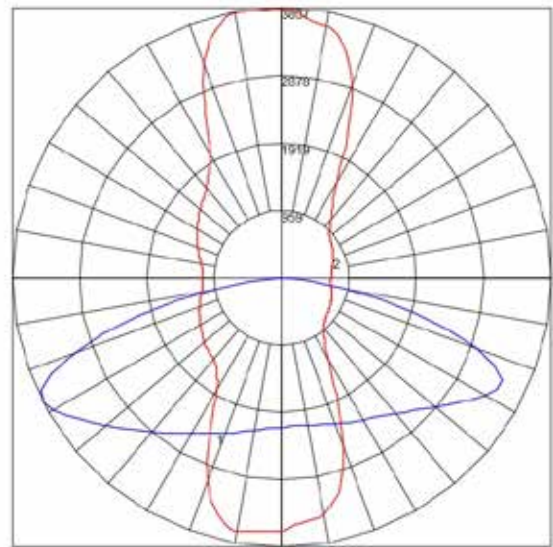
Options

- **Photocell:** 7-pin Nema receptacle (7PN)
- **Fuse Terminal Block:** (FTB)
- **Surge Protection Device:** (SPD - 10KVA, 20KVA)
- **Class II:** (DB - Double Insulated)
- **Colour:** Green (GR), Black (BL-Standard)
- **CCT:** 3000K, **4000K (Standard)**, 5000K
- **Visor:** Glareshield/spill light kit (GV)

Technical Data

- **Body:** High Pressure Die Cast Aluminum
- **Optics:** VT5 CAT Distribution
- **LED #:** 162
- **Wattage:** 60 - 75 - 155 - 175 Watts
- **Finishing:** Powder Coat Black (Black Standard)
- **Mounting:** 6 - 10 Metres
- **Fixing:** Side Mount (Fits 32mm Pole Spigot)
- **IP rating:** IP65
- **IK rating:** IK06
- **Voltage:** 220V - 240V 50/60Hz
- **Power Factor:** >0.9

IES ROAD REPORT
PHOTOMETRIC FILENAME : LSP7-210123.IES
POLAR GRAPH



Maximum Candela = 2837.46 Located At Horizontal Angle = 99, Vertical Angle = 62.5
1 - Vertical Plane Through Horizontal Angle (99 - 279) (Through Max. Cd.)
2 - Horizontal Cone Through Vertical Angle (62.5) (Through Max. Cd.)

Specification BOSTON - Side Entry

PRODUCT CODE	BV60WBSA	BV75WBSA	BV155WBSA	BV175WBSA
Photometric Distribution	T5	T5	T5	T5
Power Watts (W)	60W	75W	155W	175W
Input Voltage (V)	220V - 240V 50/60Hz	220V - 240V 50/60Hz	220V - 240V 50/60Hz	220V - 240V 50/60Hz
CCT (K)	3000K/ 4000K/ 5000K	3000K/ 4000K/ 5000K	3000K/ 4000K/ 5000K	3000K/ 4000K/ 5000K
CRI (Ra)	Ra>75	Ra>75	Ra>75	Ra>75
IP Protection	IP65	IP65	IP65	IP65
IK Protection	IK06	IK06	IK06	IK06
Weight (Kg)-max.	10kg	10kg	10kg	10kg



H-LED

PRECISION HIGH MAST LIGHTING

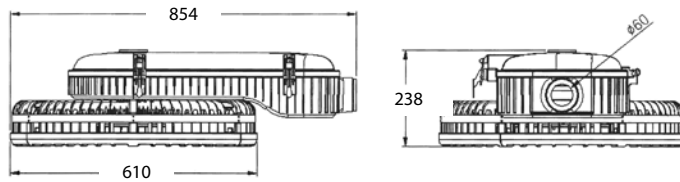
New levels of performance and function to illuminating roadways, large outdoor areas and traffic junctions. With four scalable lumen packages, you can customise your high mast solution to maximise your energy saving benefits.

APPLICATIONS

- Highways and Interchanges
- Port Container Facilities
- Toll Plazas
- Rail Yards
- Correctional Facilities
- Large Area Industrial Facilities
- Parking Areas
- Airports
- Security Lighting



Dimensions



Features

- High Performance roadway luminaire designed to meet stringent Australian/New Zealand road lighting standard, AS/NZS 60698.2.3 & AS/NZS TS 1158.6
- High Performance Optics designed to comply and meet Australian standards AS1158-1.1 Cat V
- Power Door - Designed for quick maintenance in-field
- Hinged Driver Housing Door allows easy access and removal of Power Door
- Tool-less entry via stainless steel latches
- Quick Disconnect for electrical maintenance
- Rotatable Optical Assembly Rotates 90°
- Integrated thermal management System

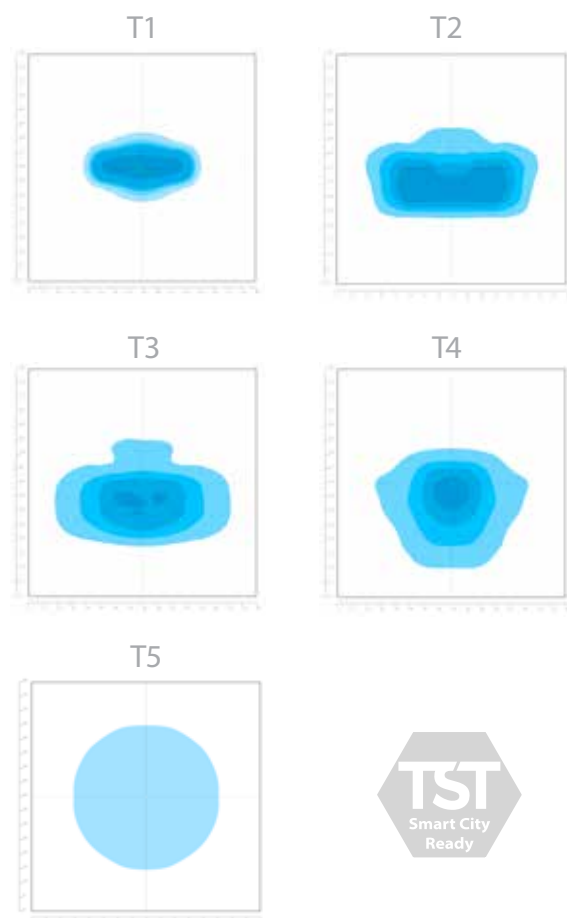
Technical Data

- Body:** High Pressure Marine Grade Die Cast Aluminum
- Optics:** Type 1, 2, 3, 4 and 5 Beam Distribution
- LED:** Long Life, High Density up to 70,000 Luminous Flux L80> 100,000 hours Ta 45°C
- Wattage:** 260 - 350 - 495 - 690 Watts
- Finishing:** Polyester Coating (Grey Standard)
- Mounting:** 4 Bolts - Designed to Fit Existing Light Poles with Adjustment of 5°
- IP rating:** IP66
- IK rating:** IK06
- Voltage:** 220V - 240V 50/60Hz
- Power Factor:** >0.9

Options

- Photocell:** 7-pin Nema receptacle (7PN)
- CCT:** 3000K, 4000K, 5000k

Photometric Design Data



Specification H-LED

PRODUCT CODE	HLED200	HLED300	HLED400	HLED600
Photometric Distribution	T1 - T2 - T3 -T4 - T5	T1 - T2 - T3 -T4 - T5	T1 - T2 - T3 -T4 - T5	T1 - T2 - T3 -T4 - T5
Power Watts (W)	260W	350W	495W	690W
Input Voltage (V)	120V - 277V 50/60Hz	120V - 277V 50/60Hz	120V - 277V 50/60Hz	120V - 277V 50/60Hz
CCT (K)	3000K/ 4000K/ 5000K	3000K/ 4000K/ 5000K	3000K/ 4000K/ 5000K	3000K/ 4000K/ 5000K
CRI (Ra)	Ra>70 Typical (>80 Optional)	Ra>70 Typical (>80 Optional)	Ra>70 Typical (>80 Optional)	Ra>70 Typical (>80 Optional)
IP Protection	IP66	IP66	IP66	IP66
IK Protection	IK06	IK06	IK06	IK06
Weight (Kg)	27.5	27.5	29.7	31.2

E-LED

PRECISION FLOOD LIGHTING SYSTEM

E-LED is an elite performance, multi application, LED luminaire, designed to illuminate sports fields, airports and large outdoor areas with supreme uniformity, outstanding light quality and remarkable visual comfort.

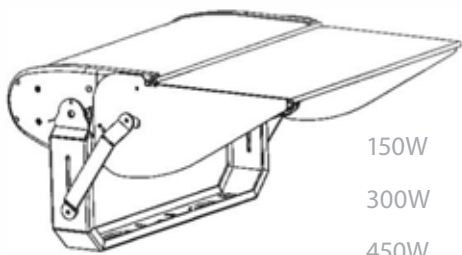
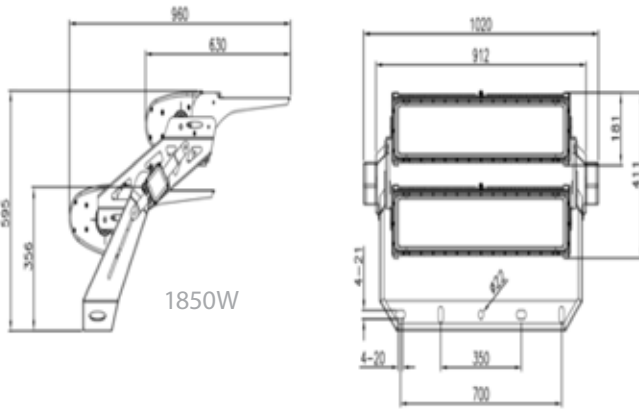
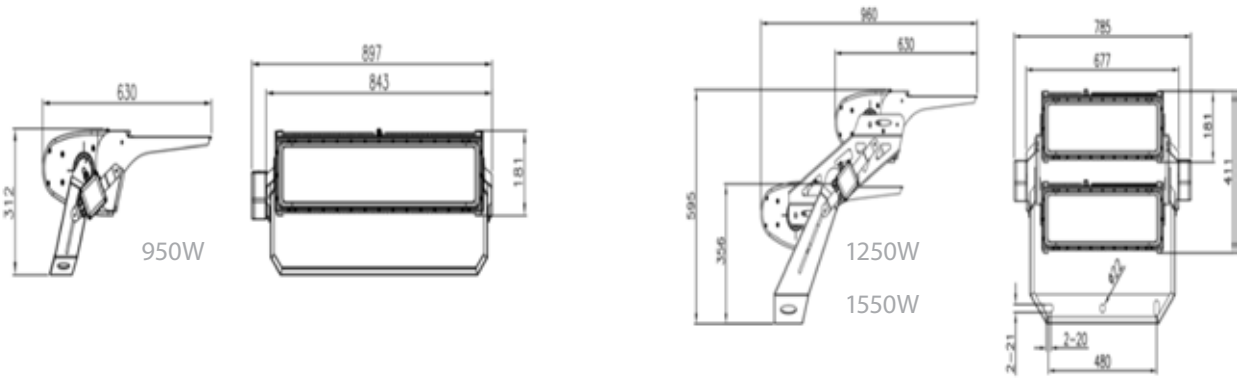
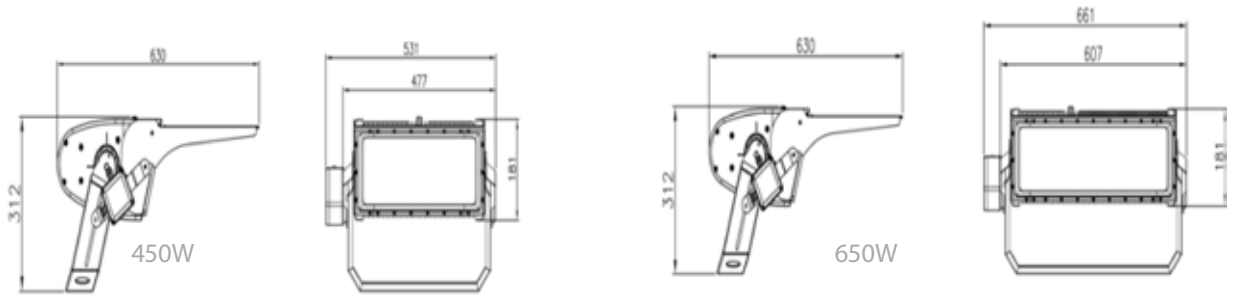
Utilising the patented fold fin thermal technology, and latest high flux LEDs, E-LED emits more than 280,000 lumens from a single compact lightweight luminaire. The custom engineered optics are a breakthrough in LED beam control, enabling E-LED to deliver incredible photometric outputs that meet and exceed the most challenging of schemes.

APPLICATIONS

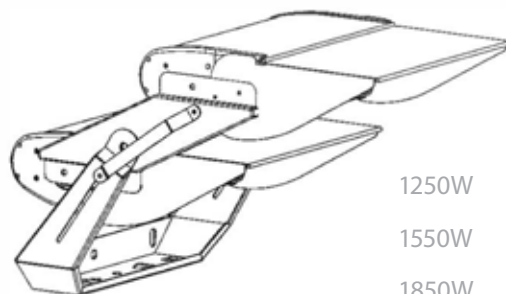
- Sports Fields
- Stadiums
- Shipyards
- Airports
- Logistics
- Car Parks
- High Mast
- Traffic Junctions



Dimensions



- 150W
- 300W
- 450W
- 650W
- 950W



- 1250W
- 1550W
- 1850W
- 2400W

Features

- **Fold Fins**
Patented lightweight thermal structure maximises heat dissipation whilst maintaining a compact, lightweight, luminaire design.
- **Mounting System**
Versatile mounting bracket, designed for simple install in new or retro fit applications.
- **Adjusting**
Simple to adjust for final aiming.
- **Finish**
Polyester powder paint provides a highly durable finish that is resistant to UV rays and corrosion.
- **Hood**
Eliminates upward light leakage and provide excellent control of spill light.
- **Optics**
Eight custom-engineered optics that direct light precisely where needed whilst minimizing glare.
- **IP66 Enclosure**
Weather-tight design ensures durability and reliability in the harshest environments.
- **LEDs**
Long life, high density L80 >100,000 hours Ta 45°C.
- **Glass**
Heat, shock and vandal resistant, toughened glass lens, with high light transmission.

Benefits

- Multiple lumen packages to replace traditional lamps
- Low wind profile area (EPA)
- Easy direct replacement using the existing mast wiring and mounting arms
- Dark sky friendly with zero upward light
- Field adjustable
- Industry leading optical performance for light spill control
- Consistent high performance in the most demanding environments
- Compatible with leading programmable lighting control systems

Technical Data

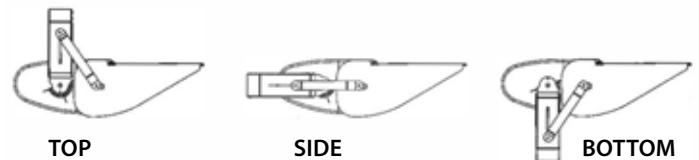
- **Body:** High Pressure Marine Grade Die Cast Aluminum
- **Bracket:** Zinc Galvanized Steel
- **Optics:** Type 2, 3 and 4 Distributions
- **LED #:** CREE: 48 - 64 - 64
- **Wattage:** 120 - 150 - 180 Watts
- **Finishing:** Powder Coat (Grey Standard)
- **IP rating:** IP65
- **IK rating:** IK08
- **Voltage:** 240V 50/60Hz
- **Power Factor:** >0.9

Options

- **Photocell:** 7-pin Nema receptacle (7PN)
- **Fuse Terminal Block:** (FTB)
- **Surge Protection Device:** (SPD - 10KVA, 20KVA)
- **Class II:** (DB - Double Insulated)
- **Colour:** Black (BL), Grey (GR-Standard)
Custom Colours Available
- **CCT:** 4000K, **5000K (Standard)**, 6500K



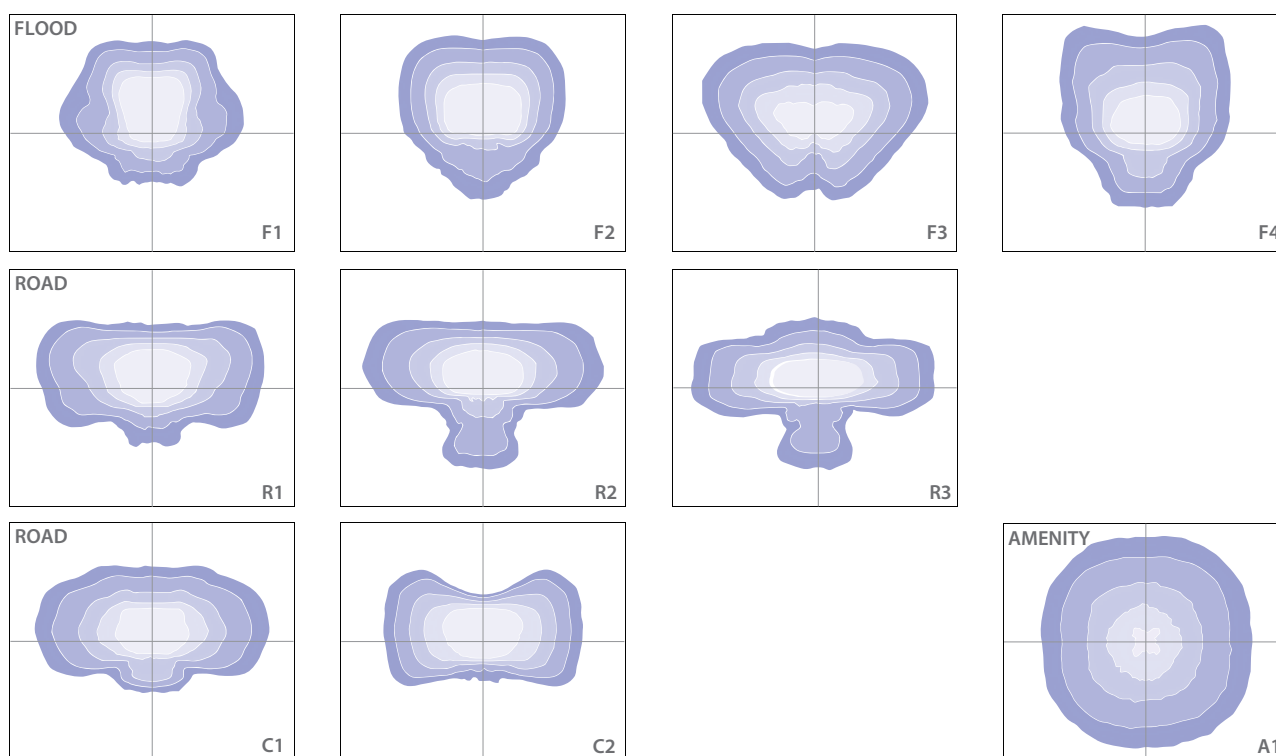
MOUNTING



Install

E-LED is designed to be installed on existing lighting poles and infrastructures and can be mounted above or below a crossbar simply by inverting the brackets. This allows multiple lights to be fitted on each mast, eliminating the expense of new poles, crossarms, demolition, engineering and foundations.

Photometric Data



Driver System

Performance

The power gear enclosure is designed to minimize driver operating temperatures so it runs cooler significantly improving reliability and performance.

Control

The power control technology delivers constant light output, independent of input voltage variations and runs efficiently of >96% and a factor of 0.99°.

Flexibility

The complete power gear system can be located up to 50m away from the luminaires, making it ideal for remote mounting. This simplifies installation, lowers initial cost and enables easy access for maintenance and future upgrades.

Specification E-LED

PRODUCT CODE	ELED.120W	ELED.150W	ELED.180W
Photometric Distribution	F1 - F2 - F3 - F4 - RI - R2 - R3 - C1- C2 - A1	F1 - F2 - F3 - F4 - RI - R2 - R3 - C1- C2 - A1	F1 - F2 - F3 - F4 - RI - R2 - R3 - C1- C2 - A1
Power Watts (W)	120W	150W	180W
Input Voltage (V)	240V	240V	240V
Current Drive (mA)	862	808	970
CCT (K)	4000K/ 5000K/ 6500K	4000K/ 5000K/ 6500K	4000K/ 5000K/ 6500K
CRI (Ra)	Ra>70	Ra>70	Ra>70
IP Protection	IP65	IP65	IP65
IK Protection	IK08	IK08	IK08
Weight (Kg) - max.	10.5	10.6	10.6

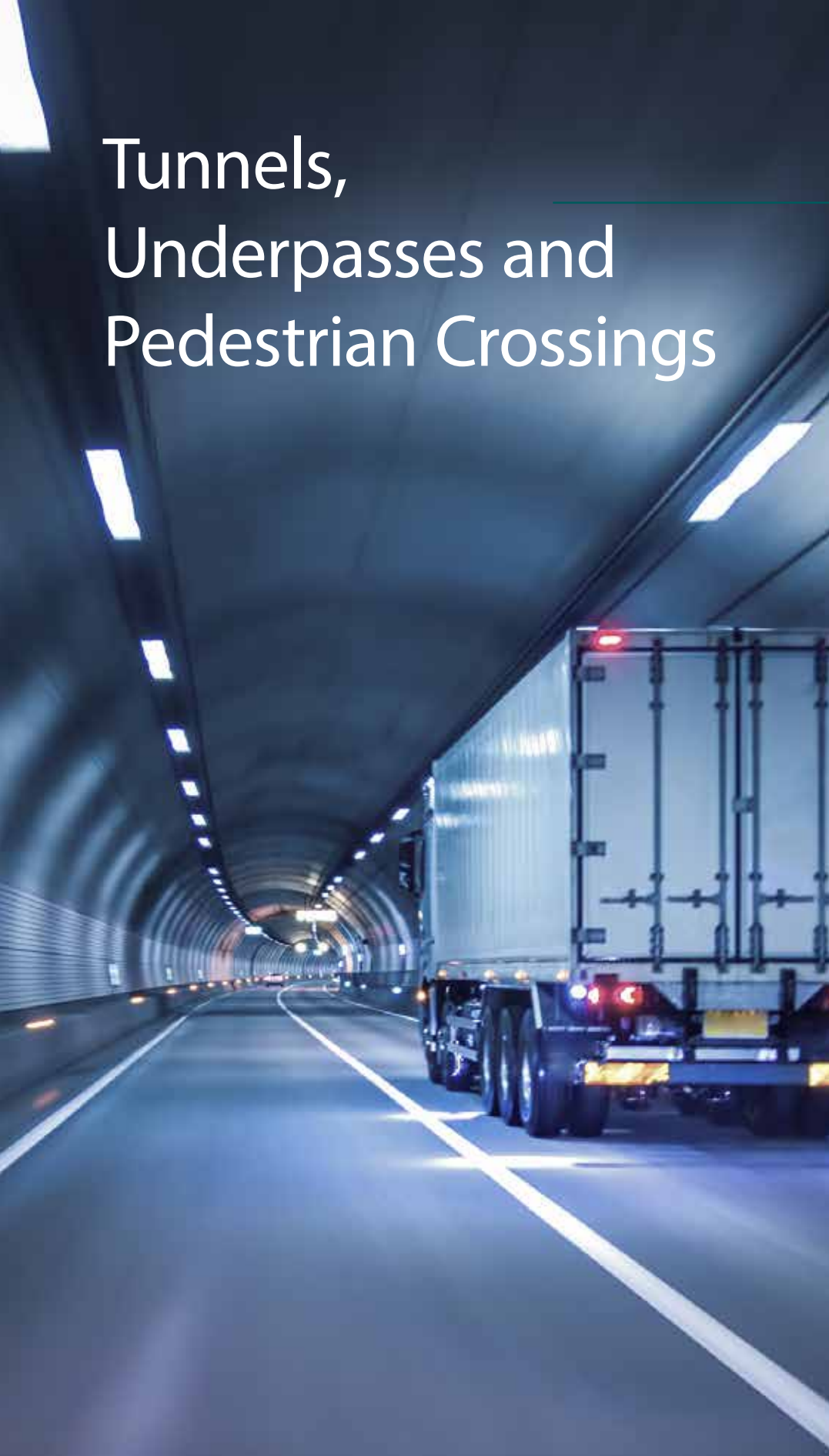
Tunnel and Underpass & Pedestrian Crossing Luminaires

Adequate illumination of the tunnel interior, which allows drivers to quickly adjust to the light within, identify possible obstacles, and negotiate their passage without reducing speed, is the priority for safety of all tunnel and underpass users.

These requirements apply during the day when the contrast between outside and inside is significant and at night when it is less but reversed.

Aldridge lighting systems deliver aesthetically low profile lighting systems for Roadway, Tunnel and Landscape applications. With over 40 years experience in outdoor infrastructure, Aldridge's versatile range of luminaires suit today's ever changing environment and withstand the test of time with state of the art engineering and Smart City Solutions for every lighting project.

Tunnels, Underpasses and Pedestrian Crossings



T-LED

V-LED MK II

V-LED MK III

FLUD

FLUD X

S-LED



T-LED₂

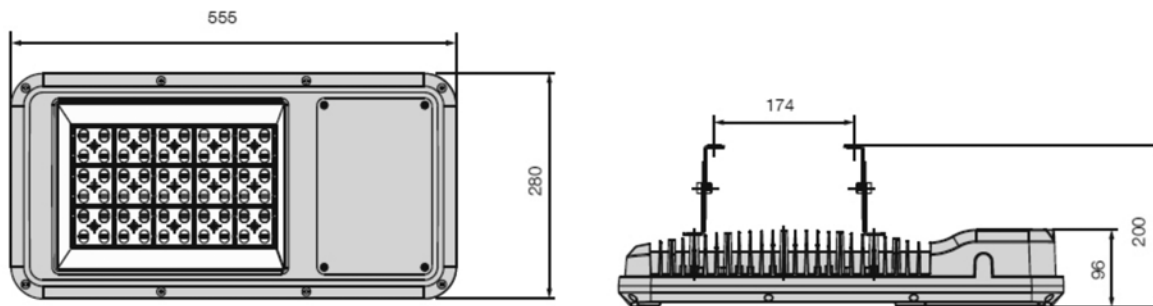
The T-LED₂ is a High Performance, Long Life, Energy Efficient, Tunnel Lighting Luminaire Built for Optimum Safety and Longevity

APPLICATIONS

- Tunnels
- Underpasses



Dimensions



Features

- Smart City Ready - TST compatibility – DALI
- High Performance tunnel luminaire designed to meet stringent Australian/New Zealand road lighting standard, AS/NZS 60698.2.3 & SA/SNZ TS 1158.6:2015 Tunnel Standard AS/NZ S1158.5:2014
- Aero screen (std) diffuser
- Integrated thermal management
- Segregated termination chamber c/w quick access
- Quick release gear tray for maintenance
- 20 year Design Life
- 10 year warranty

Technical Data

- **Body:** High Pressure Marine Grade Die Cast Aluminum, mechanical and chemical anti-corrosion
- **Optics:** Type T2 - T3 - T5
- **LED:** CREE
- **Wattage:** 60 - 80 - 100 - 120 - 150 - 200 - 250W
- **Finishing:** Powder Coat (Grey Standard)
- **Mounting:** 2 x 6mm - 12mm Adjustable Brackets in 5° increments
- **Fixing:** 174mm Bracket Mounting Centres
- **IP rating:** IP66
- **IK rating:** IK08
- **Voltage:** 220V - 240V 50/60Hz
- **Power Factor:** >0.9

Options

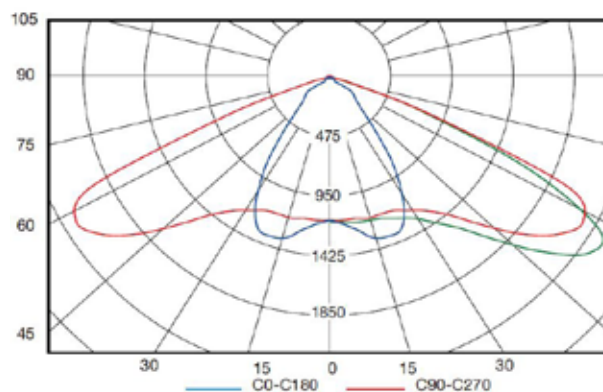
- **Fuse Terminal Block (FTB)**
- **Surge Protection Device: SPD - 20KVA**
- **Class II: (DB - Double Insulated)**
- **Colour: Black (BL), White (WH), Grey (GR - Standard)**
- **CCT: 3000K, 4000K (Standard)**



Key Advantages

- Perfectly adapted to suit differing tunnel situations to provide ultimate safety at all times
- Can be integrated into existing control systems
- Can be fully adjusted onsite to provide optimum photometry

Photometric Design Data



Specification T-LED₂

PRODUCT CODE	TLED.II.60W	TLED.II.80W	TLED.II.100W	TLED.II.120W	TLED.II.150W	TLED.II.200W	TLED.II.250W
Photometric Distribution	T2 - T3 - T5	T2 - T3 - T5	T2 - T3 - T5	T2 - T3 - T5	T2 - T3 - T5	T2 - T3 - T5	T2 - T3 - T5
Power Watts (W)	60W	80W	100W	120W	150W	200W	250W
Input Voltage (V)	220V - 240V 50/60Hz	220V - 240V 50/60Hz	220V - 240V 50/60Hz	220V - 240V 50/60Hz	220V - 240V 50/60Hz	220V - 240V 50/60Hz	220V - 240V 50/60Hz
CCT (K)	3000K / 4000K	3000K / 4000K	3000K / 4000K	3000K / 4000K	3000K / 4000K	3000K / 4000K	3000K / 4000K
Output Flux (lm)	6,435	8,400	12,960	16,585	18,550	22,660	24,000
CRI (Ra)	Ra>70	Ra>70	Ra>70	Ra>70	Ra>70	Ra>70	Ra>70
IP Protection	IP66	IP66	IP66	IP66	IP66	IP66	IP66
IK Protection	IK08	IK08	IK08	IK08	IK08	IK08	IK08
Weight (Kg)	<8kg	<8kg	<9kg	<9kg	<9kg	<9kg	<9kg

V-LED MKII

The V-LED MKII is a High Performance, Energy Efficient, Tunnel and Underpass Lighting Luminaire. Designed with an advanced LED Optical System, that sets new standards for 'V' Category Roadway Lighting. Proudly Designed in Australia by ATS.



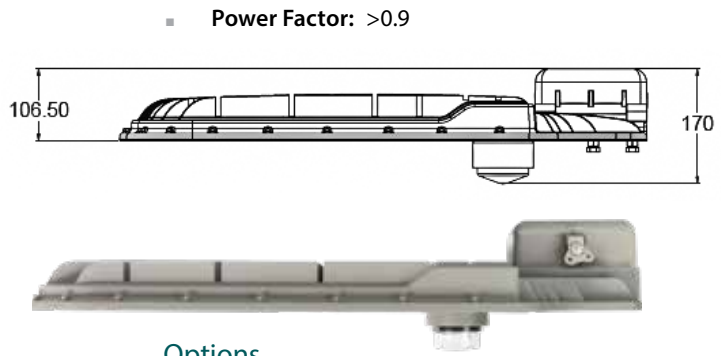
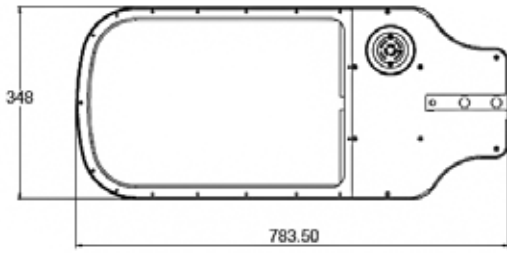
APPLICATIONS

- Tunnels
- Underpasses
- Freeways
- Expressways
- Highways
- Motorways

Specification V-LED MKII

PRODUCT CODE	V65W	V75W	V85W	V100W	V128W	V137W	V155W
Photometric Distribution	T5	T5	T5	T2, T3, T5FT	T5	T5	T5FT
Power Watts (W)	65W	70W	80W	100W	128W	137W	155W
Input Voltage (V)	220V - 240V 50/60Hz	220V - 240V 50/60Hz	220V - 240V 50/60Hz	220V - 240V 50/60Hz	220V - 240V 50/60Hz	220V - 240V 50/60Hz	220V - 240V 50/60Hz
CCT (K)	3000K/ 4000K/ 5000K	3000K/ 4000K/ 5000K	3000K/ 4000K/ 5000K	3000K/ 4000K/ 5000K	3000K/ 4000K/ 5000K	3000K/ 4000K/ 5000K	3000K/ 4000K/ 5000K
CRI (Ra)	Ra>70	Ra>70	Ra>70	Ra>70	Ra>70	Ra>70	Ra>70
IP Protection	IP65	IP65	IP65	IP65	IP65	IP65	IP65
IK Protection	IK06	IK06	IK06	IK06	IK06	IK06	IK06
Weight (Kg) Remote Gear: Less 1.8Kg	<10kg	<12kg	<12kg	<12kg	<12kg	<12kg	<12kg

Dimensions



Features

- Smart City Ready - TST compatibility Zigbee, LoRa, NBLoT
- High Performance roadway luminaire designed to meet stringent Australian/New Zealand road lighting standard, AS/NZS 60698.2.3 & AS/NZS TS 1158.6
- High Performance Optics designed to comply and meet Australian standards AS1158-1.1 Cat V
- Direct replacement of conventional V - category High Pressure Sodium and Metal Halide luminaires
- Aeroscreen (std) diffuser
- 7-pin Nema receptacle (7PN)
- Integrated thermal management
- Segregated termination chamber c/w quick access
- 20 year Design Life
- 10 year warranty

Technical Data

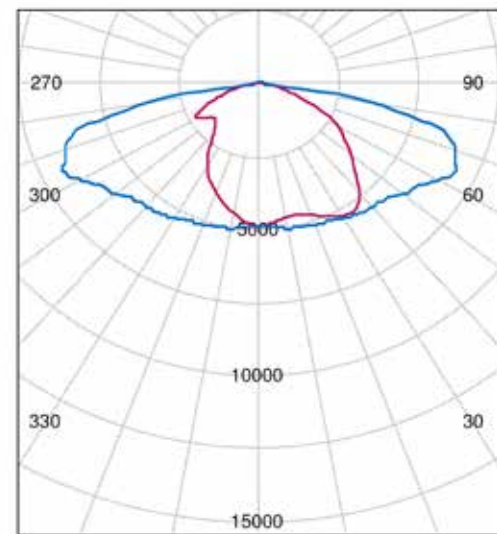
- Body:** High Pressure Marine Grade Die Cast Aluminum
- Optics:** Type **5 (Standard)**, 2 - 3, 5FT (Forward Throw)
- LED:** CREE
- Wattage:** 65 - 75 - 85 - 100 - 128 - 137 - 155 - 175 - 198 - 200 - 205 - 265 - 298 - 300 Watts
- Finishing:** Powder Coat (Grey Standard)
- Mounting:** 9 - 15 Metres
- Fixing:** Side Spigot mount (32-40mm NB) (49mm OD)
- IP rating:** IP65
- IK rating:** IK06
- Voltage:** 220V - 240V 50/60Hz

Options

- Zhaga:** Street Lighting Controller
- DALI-2, D4i**
- 3 in 1 Dimming without DALI-2**
- Fuse Terminal Block:** (FTB)
- Surge Protection Device:** (SPD - 10KVA, 20KVA)
- Class II:** (DB - Double Insulated)
- Colour:** Black (BL), Grey (GR - Standard)
- CCT:** 3000K, **4000K (Standard)**, 5000k
- Visor:** Glare shield/spill light kit (GV)
- Remote Gear:** (RG)
- 5 Deg Tilt Adjustment Adapter (5TA)



Photometric Design Data



cd/klm
— CO-C180
— C90-C270

Specification V-LED MKII - Cont.

PRODUCT CODE	V175W	V198W	V200W	V205W	V265W	V298W	V300W
Photometric Distribution	T5	T2, T3	T3, T5FT	T5	T5	T2, T3	T3, T5FT
Power Watts (W)	175W	198W	200W	205W	240W	250W	300W
Input Voltage (V)	220V - 240V 50/60Hz	220V - 240V 50/60Hz	220V - 240V 50/60Hz	220V - 240V 50/60Hz	220V - 240V 50/60Hz	220V - 240V 50/60Hz	220V - 240V 50/60Hz
CCT (K)	3000K/ 4000K/ 5000K	3000K/ 4000K/ 5000K	3000K/ 4000K/ 5000K	3000K/ 4000K/ 5000K	3000K/ 4000K/ 5000K	3000K/ 4000K/ 5000K	3000K/ 4000K/ 5000K
CRI (Ra)	Ra>70	Ra>70	Ra>70	Ra>70	Ra>70	Ra>70	Ra>70
IP Protection	IP65	IP65	IP65	IP65	IP65	IP65	IP65
IK Protection	IK06	IK06	IK06	IK06	IK06	IK06	IK06
Weight (Kg) Remote Gear: Less 1.8Kg	<12kg	<12kg	<12kg	<12kg	<12kg	<12kg	<12kg

V-LED MKIII

The V-LED MKIII is a High Performance, Energy Efficient, Tunnel and Underpass Lighting Luminaire. Designed with an advanced LED Optical System, that sets new standards for 'V' Category Roadway Lighting. Proudly Designed in Australia by ATS.

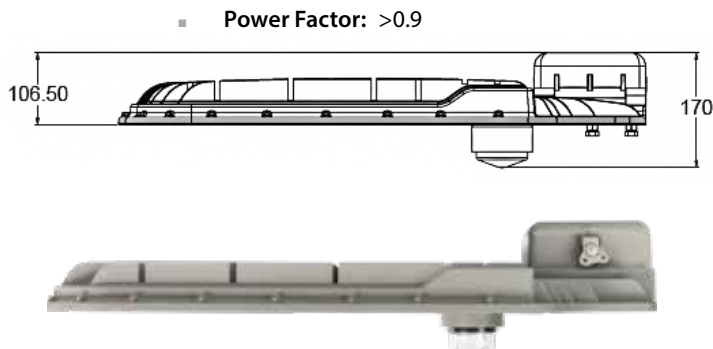
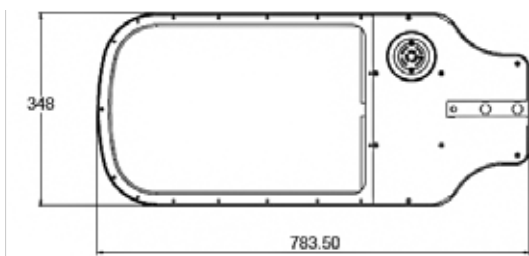
APPLICATIONS

- Tunnels
- Underpasses
- Freeways
- Expressways
- Highways
- Motorways



ZHAGA, the next generation of Street Lighting Controller socket, is mounted onto our fittings and operated through a plug-and-play installation. It is the latest alternative, more compact DC connector, developed especially for today's contemporary designed LED light fittings. **Zhaga D4i Certified P-LED fittings** are future proof and available with both **Zhaga** and **NEMA** sockets. Developed according to a global lighting industry standard, **Zhaga** connectors can be deployed onto the V-LED range and integrated with our TST Smart City Solutions.

Dimensions



- Power Factor: >0.9

Features

- Smart City Ready - TST compatibility Zigbee, LoRa, NBLoT
- High Performance roadway luminaire designed to meet stringent Australian/New Zealand road lighting standard, AS/NZS 60698.2.3 & AS/NZS TS 1158.6
- High Performance Optics designed to comply and meet Australian standards AS1158-1.1 Cat V
- Direct replacement of conventional V - Category High Pressure Sodium and Metal Halide luminaires
- Aeroscreen (std) diffuser
- 7-pin Nema receptacle (7PN)
- Integrated thermal management
- Supports DALI-2 connection and complies with D4i
- Segregated termination chamber c/w quick access
- 20 year Design Life
- 10 year warranty

Options

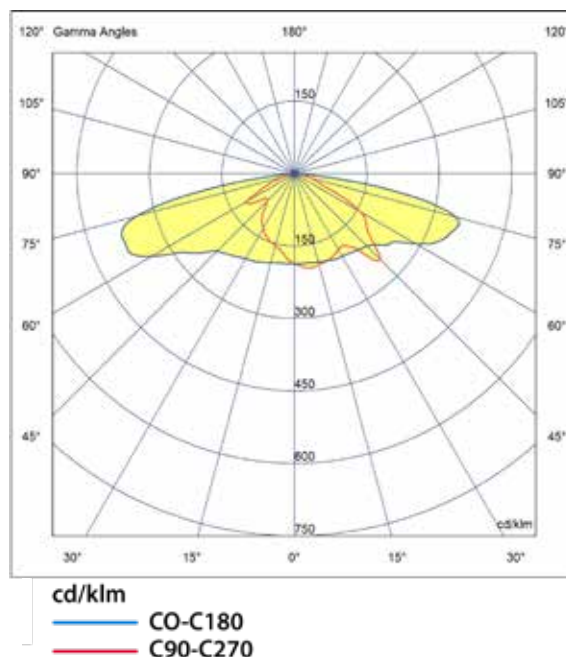
- Zhaga: Street Lighting Controller
- DALI-2, D4i
- 3 in 1 Dimming without DALI-2
- Fuse Terminal Block: (FTB)
- Surge Protection Device: (SPD - 10KVA, 20KVA)
- Class II: (DB - Double Insulated)
- Colour: Black (BL), Grey (GR - Standard)
- CCT: 3000K, **4000K (Standard)**, 5000k
- Visor: Glare shield/spill light kit (GV)
- Remote Gear: (RG)
- 5 Deg Tilt Adjustment Adapter (5TA)



Technical Data

- Body:** High Pressure Marine Grade Die Cast Aluminum
- Optics:** Type 5 - FT (Forward Throw)
- LED:** CREE
- Wattage:** 75 - 147 - 170 - 290 Watts
- Finishing:** Powder Coat (Grey Standard)
- Mounting:** 9 - 15 Metres
- Fixing:** Side Spigot mount (32-40mm NB) (49mm OD)
- IP rating:** IP65
- IK rating:** IK06
- Voltage:** 220V - 240V 50/60Hz

Photometric Design Data



Specification V-LED MKIII – FT

PRODUCT CODE	V75WT5FT	V147WT5FT	V170WT5FT	V290WT5FT
Photometric Distribution	T5FT	T5FT	T5FT	T5FT
Power Watts (W)	75W	147W	170W	290W
Input Voltage (V)	220V - 240V 50/60Hz	220V - 240V 50/60Hz	220V - 240V 50/60Hz	220V - 240V 50/60Hz
CCT (K)	3000K/ 4000K/ 5000K	3000K/ 4000K/ 5000K	3000K/ 4000K/ 5000K	3000K/ 4000K/ 5000K
CRI (Ra)	Ra>70	Ra>70	Ra>70	Ra>70
IP Protection	IP65	IP65	IP65	IP65
IK Protection	IK06	IK06	IK06	IK06
Weight (Kg) Remote Gear: Less 1.8Kg	<12kg	<12kg	<12kg	<12kg

FLUD Series

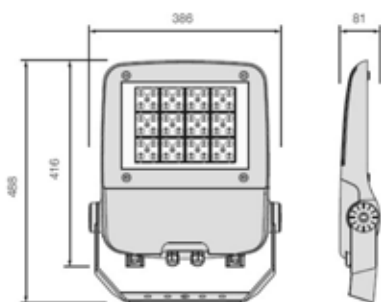
The FLUD is a High Performance, Energy Efficient, Pedestrian Crossing, Tunnel and Underpass Lighting Luminaire. Available in 3 sizes and 11 wattages.

APPLICATIONS

- Tunnels
- Underpasses
- Pedestrian Crossing
- Freeways
- Expressways
- Highways
- Motorways



Dimensions



Features

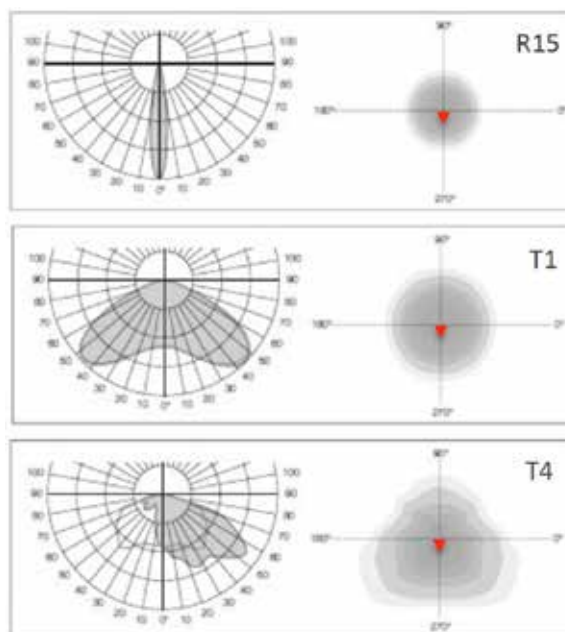
- Designed to meet stringent Australian Standards
- Suitable for Roadway, Tunnel and Landscape Applications
- Self cleaning housing and PMMA optical diffuser
- High Performance LED & Optics to meet AS/NZ1158
- Integrated thermal management
- Segregated termination point
- Hinged 'quick access latch'
- Complies with AS/NZ 1158.6 & AS/NZ 1158.1
- 10 year warranty

Options

- Fuse Terminal Block:** (FTB)
- Surge Protection Device:** (SPD - 10KVA, 20KVA)
- Class II:** (DB - Double Insulated)
- Colour:** Black (BL,)White (WH), Grey (GR-Standard)
- CCT:** 3000K, **4000K (Standard)**, 5000K
- Visor:** Glareshield/spill light kit (GV)
- Controller:** RS485 lamp based driver suitable for tunnel lighting
- RGB:** DMX Controller

Technical Data

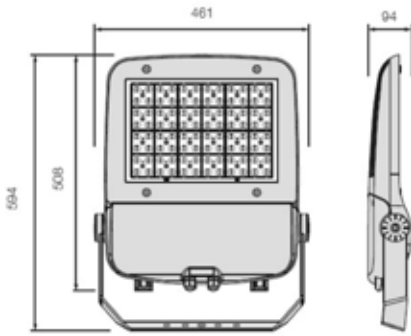
- Body:** High Pressure Marine Grade Die Cast Aluminum
- Optics:** Asymmetric - Symmetrical Distribution
- LED #:** CREE 36 - 36 - 48 - 48 (RGB)
- Wattage:** 80 - 100 - 120 & 120 (RGB) Watts
- Finishing:** Powder Coat (Grey Standard)
- Fixing:** Trunnion Mount
- IP rating:** IP66
- IK rating:** IK08
- Voltage:** 240V 50/60Hz
- Power Factor:** >0.9



Specification FLUD S

PRODUCT CODE	FU.S.80W	FU.S.100W	FU.S.120W	FU.S.120W RGB
Photometric Distribution	R15 - T1 - T4	R15 - T1 - T4	R15 - T1 - T4	R15 - T1
Power Wattage (W)	80W	100W	120W	120W
Input Voltage (V)	240V	240V	240V	240V
Current Drive (mA)	766mA	957mA	862mA	862mA
CCT (K)	3000K/ 4000K/ 5000K	3000K/ 4000K/ 5000K	3000K/ 4000K/ 5000K	3000K/ 4000K/ 5000K
CRI (Ra)	Ra>70	Ra>70	Ra>70	Ra>70
IP Protection	IP66	IP66	IP66	IP66
IK Protection	IK08	IK08	IK08	IK08
Weight (Kg) - max.	9.2	9.2	9.2	9.2

Dimensions



Features

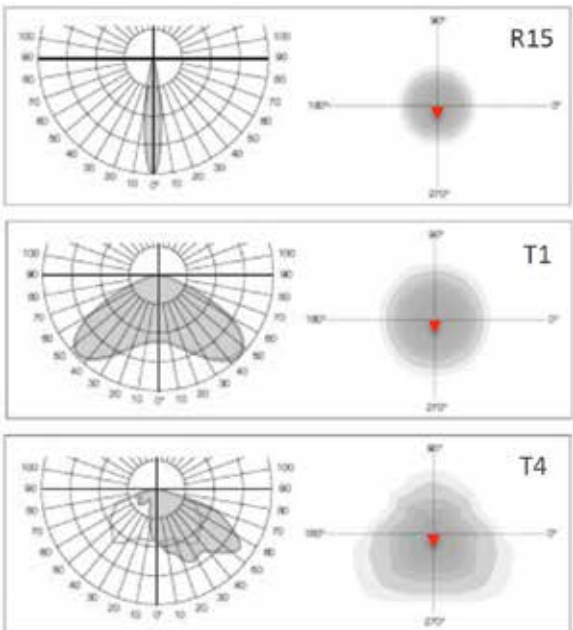
- Designed to meet stringent Australian Standards
- Suitable for Roadway, Tunnel and Landscape Applications
- Self cleaning housing and PMMA optical diffuser
- High Performance LED & Optics to meet AS/NZ1158
- Integrated thermal management
- Segregated termination point
- Hinged 'quick access latch'
- Complies with AS/NZ 1158.6 & AS/NZ 1158.1
- 10 year warranty

Options

- Photocell:** 7-pin Nema receptacle (7PN), D2 type cell (D2)
- Fuse Terminal Block:** (FTB)
- Surge Protection Device:** (SPD - 10KVA, 20KVA)
- Class II:** (DB - Double Insulated)
- Colour:** Black (BL), White (WH), Grey (GR-Standard)
- CCT:** 3000K, **4000K (Standard)**, 5000K
- Visor:** Glareshield/spill light kit (GV)
- Controller:** RS485 lamp based driver suitable for tunnel lighting
- RGB:** DMX Controller

Technical Data

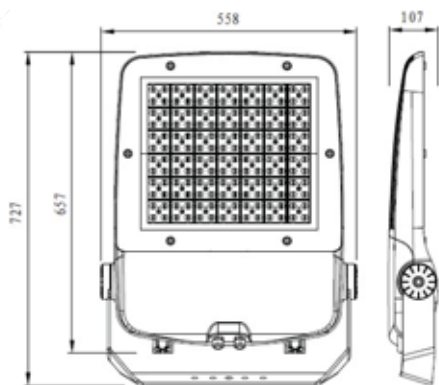
- Body:** High Pressure Marine Grade Die Cast Aluminum
- Optics:** Asymmetric - Symmetrical Distribution
- LED #:** CREE 64 - 80 - 96 - 96 (RGB)
- Wattage:** 150 - 200 - 240 - 300 (RGB) Watts
- Finishing:** Powder Coat (Grey Standard)
- Fixing:** Trunnion Mount
- IP rating:** IP66
- IK rating:** IK08
- Voltage:** 240V 50/60Hz
- Power Factor:** >0.9



Specification FLUD M

PRODUCT CODE	FU.M.150W	FU.M.200W	FU.M.240W	FU.M.300W
Photometric Distribution	R15 - T1 - T4	R15 - T1 - T4	R15 - T1 - T4	R15 - T1 - T4
Power Wattage (W)	150W	200W	240W	300W
Input Voltage (V)	240V	240V	240V	240V
Current Drive (mA)	808mA	862mA	862mA	862mA
CCT (K)	3000K/ 4000K/ 5000K	3000K/ 4000K/ 5000K	3000K/ 4000K/ 5000K	3000K/ 4000K/ 5000K
CRI (Ra)	Ra>70	Ra>70	Ra>70	Ra>70
IP Protection	IP66	IP66	IP66	IP66
IK Protection	IK08	IK08	IK08	IK08
Weight (Kg) - max.	13.3	13.4	13.4	13.4

Dimensions



Features

- Designed to meet stringent Australian Standards
- Suitable for Roadway, Tunnel and Landscape Applications
- Self cleaning housing and PMMA optical diffuser
- High Performance LED & Optics to meet AS/NZ1158
- Integrated thermal management
- Segregated termination point
- Hinged 'quick access latch'
- Complies with AS/NZ 1158.6 & AS/NZ 1158.1
- 10 year warranty

Technical Data

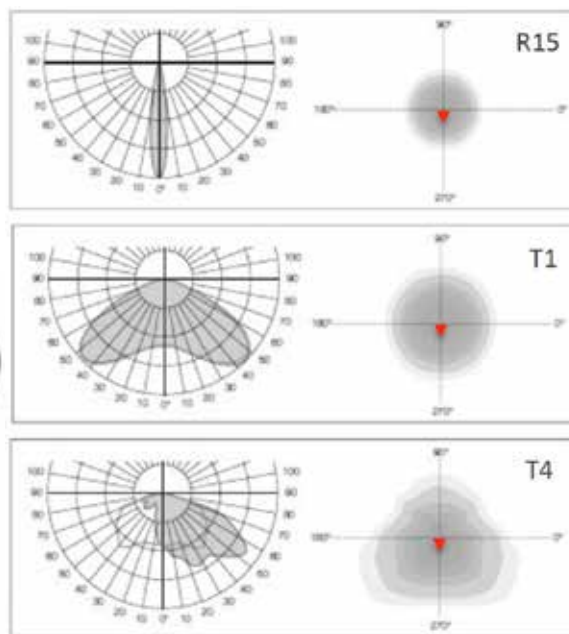
- **Body:** High Pressure Marine Grade Die Cast Aluminum
- **Optics:** Asymmetric - Symmetrical Distribution
- **LED #:** CREE 120 - 140 - 140 (RGB)
- **Wattage:** 360 - 400 - 480 (RGB) Watts
- **Finishing:** Powder Coat (Grey Standard)
- **Fixing:** Trunnion Mount
- **IP rating:** IP66
- **IK rating:** IK08
- **Voltage:** 240V 50/60Hz
- **Power Factor:** >0.9



Options

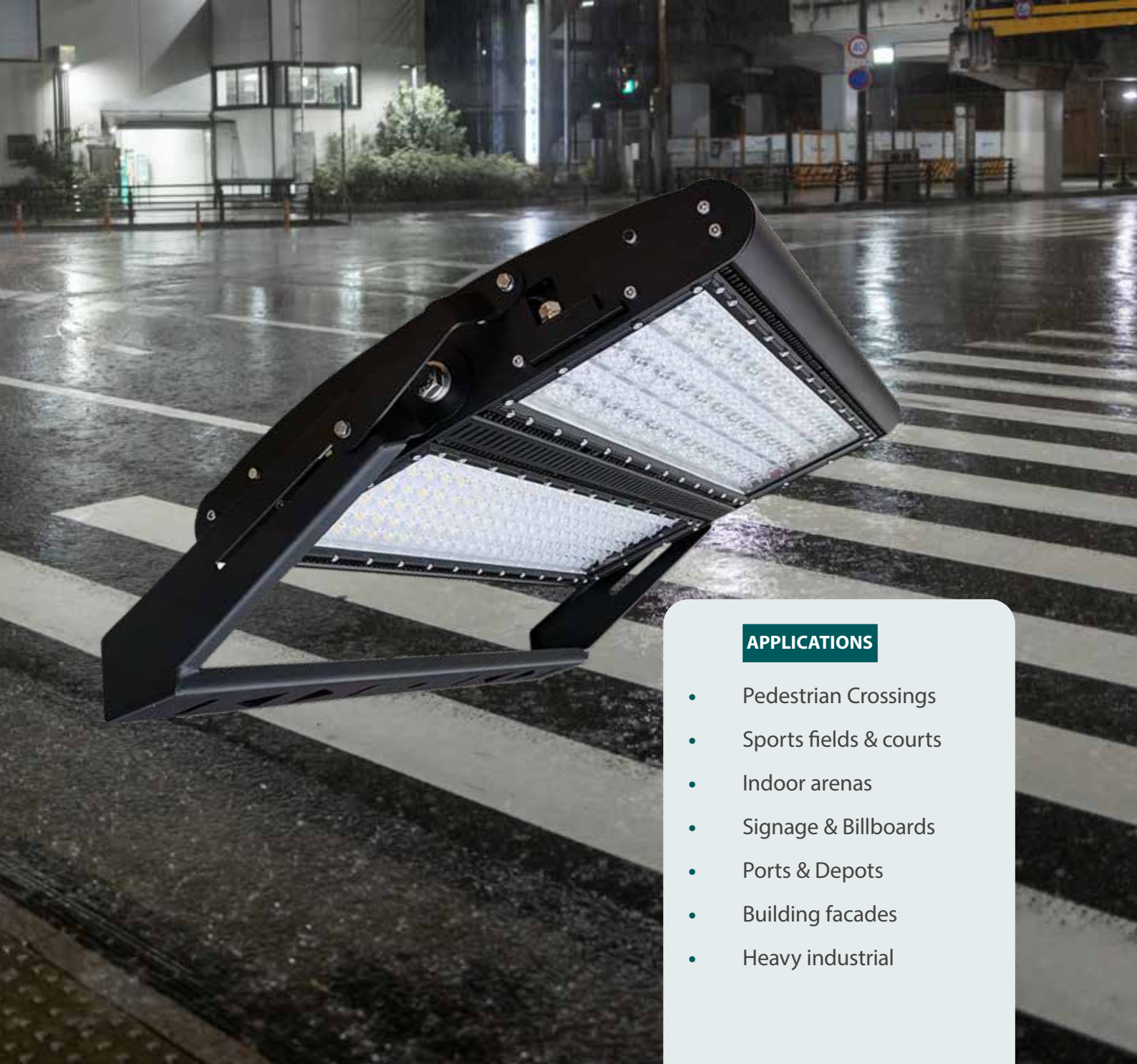
- **Photocell:** 7-pin Nema receptacle (7PN), D2 type cell (D2)
- **Fuse Terminal Block:** (FTB)
- **Surge Protection Device:** (SPD - 10KVA, 20KVA)
- **Class II:** (DB - Double Insulated)
- **Colour:** Black (BL), White (WH), Grey (GR-Standard)
- **CCT:** 3000K, **4000K (Standard)**, 5000K
- **Visor:** Glareshield/spill light kit (GV)
- **Controller:** RS485 lamp based driver suitable for tunnel lighting
- **RGB:** DMX Controller

Photometric Design Data



Specification FLUD L

PRODUCT CODE	FU.L.320W	FU.L.400W	FU.L.480W
Photometric Distribution	R15 - T1 - T4	R15 - T1 - T4	R15 - T1 - T4
Power Wattage (W)	360W	400W	480W
Input Voltage (V)	240V	240V	240V
Current Drive (mA)	862mA	887mA	739mA
CCT (K)	3000K/ 4000K/ 5000K	3000K/ 4000K/ 5000K	3000K/ 4000K/ 5000K
CRI (Ra)	Ra>70	Ra>70	Ra>70
IP Protection	IP66	IP66	IP66
IK Protection	IK08	IK08	IK08
Weight (Kg) - max.	21.2	21.2	21.2



APPLICATIONS

- Pedestrian Crossings
- Sports fields & courts
- Indoor arenas
- Signage & Billboards
- Ports & Depots
- Building facades
- Heavy industrial

FLUD X

Aldridge FLUD X is the next generation, state-of-the-art flood light with improved features and optics. Engineered with an industry leading fold fin thermal technology, and designed for high performance outdoor lighting.

Technical Data FLUD X

Description		FLX Series				
SMALL	Model Number SINGLE PCB	FLX-60W-T30	FLX-80W	FLX-100W	FLX-120W	FLX-150W-T30
	Typical System Power (W)	66	85	100	130	155
	Typical Luminous Flux	9,400	12,100	14,100	18,500	22,100
	Weight	4.2	5.9	5.9	7.2	7.2
MEDIUM	Model Number	FLX-200W	FLX-250W-T30	FLX-300W	FLX-350W	FLX-400W
	Typical System Power (W)	220	250	310	370	440
	Typical Luminous Flux	31,300	35,600	44,100	52,600	62,600
	Weight	8.2	8.9	11.1	12.3	12.3
LARGE	Model Number DOUBLE PCB	FLX-500W	FLX-600W	FLX-800W	FLX-1000W	FLX-1200W
	Typical System Power (W)	500	620	880	1000	1200
	Typical Luminous Flux	71,200	88,200	125,300	142,400	170,800
	Weight	21.5	22.2	21.5*	21.5*	25.3*
Light Source	Lumileds/Osram 5050					
Correlated Colour Temperature	4000K, (3000K, 5000K, 6500K available)					
Colour Rendering Index	>70 or (>80 optional)					
System Efficacy	135 – 143 Lm/W (depends on optics)					
Optics	Round: 20° x 20° 30° x 30° 60° x 60°					
	Square: 60° x 60° 90° x 90°					
	Asymmetric: 45° x 145° 70° x 145° 60° x 90° 60° x 135°					
	Ultra Asymmetric: 45° x 145° 60° x 140°					
Driver	Meanwell					
Input Voltage Range	90 – 305VAC (347 – 480VAC optional)					
Power Factor	>0.9					
Ingress Protection (IP)	IP65					
Electrical Class	Class 1					
Dimming Control Optional	0-10V, DALI					
Ambient Operating Temperature	-40°C – +45°C					
Ambient Storage Temperature	-25°C to – 80°C					
Material	Die Cast Aluminium (Heatsink), Stainless Steel (Bracket)					
Optical Cover	Tempered Glass					
Finish	Black Powder Coating					
Ingress Protection (IP)	IP65					
Accessories						
Trunnion Bracket	Slip fitter options					
NEMA receptacle options	7-pin					

* For FLX-800 and higher wattage, only remote driver configuration is available. Weight information is FIXTURE ONLY, drivers not included.

a) For 600W and below, all drivers are built into the fixture. Weight information includes the driver.

b) Above luminous flux are typical values, actual results can vary according to different optics. Please refer to the latest photometric files.

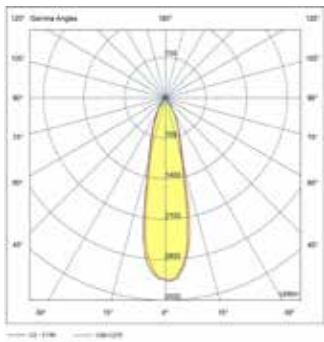
Features

- Up to 1200W and over 170,000 luminous flux, with system efficacy exceeding 140 lm/W.
- Slim profile offering best performance ratio for windage and weight.
- Unique, fold fin heatsink technology greatly reduces thermal density and maintains a low LED junction temperature
- Full range of optics for a wide variety of professional lighting applications
- Protective UV stabilized powder coated finish
- IP65 weather resistant
- 0-10V or DALI Dimming options and compatible with all leading lighting control systems

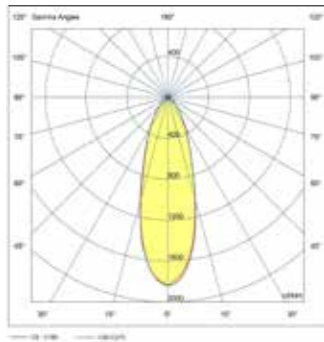


Photometric Design Data

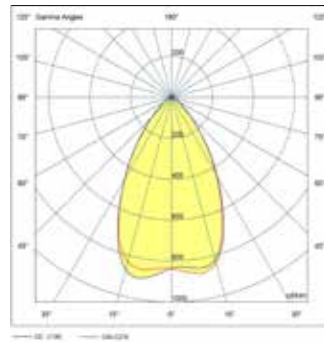
N020



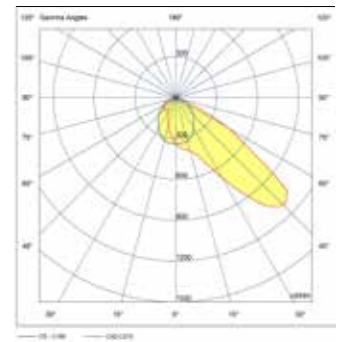
N030



N060



T30

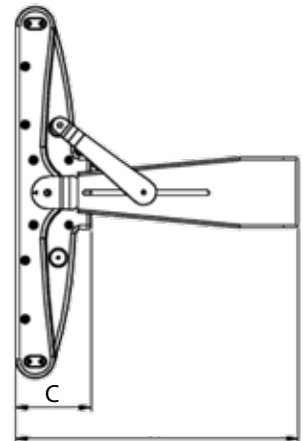
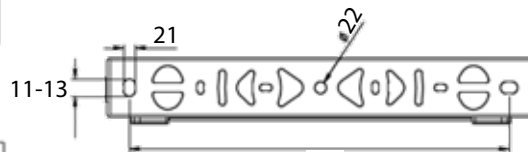
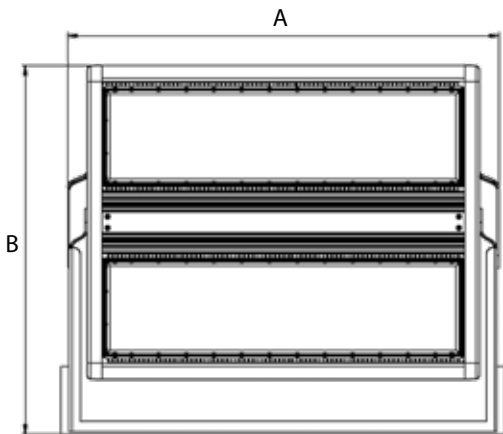
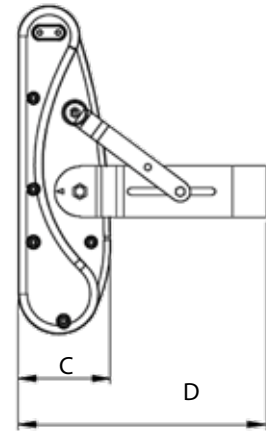
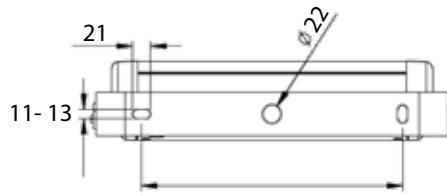
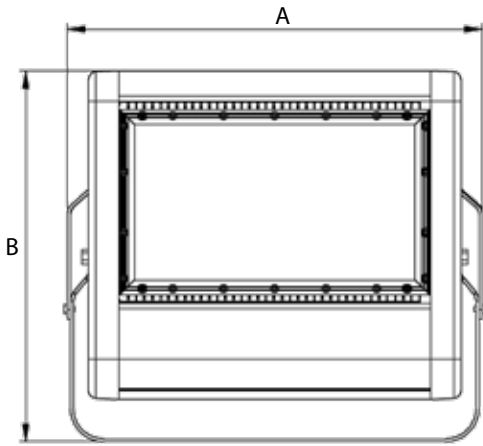


Specifications FLUD X

Size	Product ID	System Power	Colour Temp	CRI	Optics	Control	Finish
SMALL	FLX-60W-T30	060 = 60W	30K = 3000K	> 70 = min 70	Round (20° x 20°)	ND = Non-Dimmable VD = 0 – 10V Dimmable DD = DALI Dimmable	BL = Black
	FLX-80W	080 = 80W	40K = 4000K	> 80 = min 80	Round (30° x 30°)		
	FLX-100W	100 = 100W	50K = 5000K		Round (60° x 60°)		
	FLX-120W	120 = 120W	65K = 6500K		Square (60° x 60°)		
	FLX-150W-T30	150 = 150W			Square (90° x 90°)		
MEDIUM	FLX-200W	200 = 200W			Asymmetric (45° x 145°)		
	FLX-250W-T30	250 = 250W			Asymmetric (70° x 145°)		
	FLX-300W	300 = 300W			Asymmetric (60° x 90°)		
	FLX-350W	350 = 350W			Asymmetric (60° x 135°)		
	FLX-400W	400 = 400W			ULTRA Asymmetric (30°x95°)		
LARGE	FLX-500W	500 = 500W			ULTRA Asymmetric (60°x140°)		
	FLX-600W	600 = 600W					
	FLX-800W	800 = 800W					
	FLX-1000W	1000 = 1000W					
	FLX-1200W	1200 = 1200W					



Dimensions



Size	Model Number	Dimension A	Dimension B	Dimension C	Weight
SMALL	FLX-60W-T30	259mm	367mm	91mm	4.2
	FLX-80W	310mm	367mm	91mm	5.9
	FLX-100W	310mm	367mm	91mm	5.9
	FLX-120W	360mm	367mm	91mm	8.9
	FLX-150W-T30	360mm	367mm	91mm	7.2
MEDIUM	FLX-200W	411mm	367mm	91mm	7.2
	FLX-250W-T30	461mm	367mm	91mm	8.2
	FLX-300W	562mm	367mm	91mm	8.9
	FLX-350W	663mm	367mm	91mm	11.1
	FLX-400W	663mm	367mm	91mm	12.3
LARGE	FLX-500W	584mm	672mm	116mm	21.5
	FLX-600W	584mm	672mm	116mm	22.2
	FLX-800W	788mm	583mm	116mm	21.5
	FLX-1000W	788mm	583mm	116mm	21.5
	FLX-1200W	938mm	583mm	116mm	21.5



APPLICATIONS

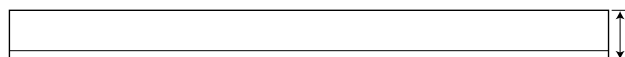
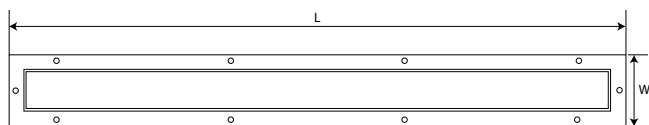
- Tunnels
- Underpasses
- Pedestrian Underpasses
- Rail Stations
- Transport Hubs
- Police Stations
- Adverse Locations

S-LED

The S-LED is an Energy Efficient, Tunnel and Underpass Lighting Luminaire. Suitable for pedestrian and vehicle underpass, railway stations, transport hubs, police stations or adverse locations that may be subject to vandalism.



Dimensions



Features

- Suitable for pedestrian and vehicle underpass, railway stations, transport hub, police stations and adverse locations that are subject to vandalism
- Designed to comply with stringent AS/NZ standards
- High performance LED & Optics to meet AS/NZ standards
- Integrated thermal management
- Removable driver and LED module
- End to end mounting
- Smart City compatible - TST
- 10 year warranty

Technical Data

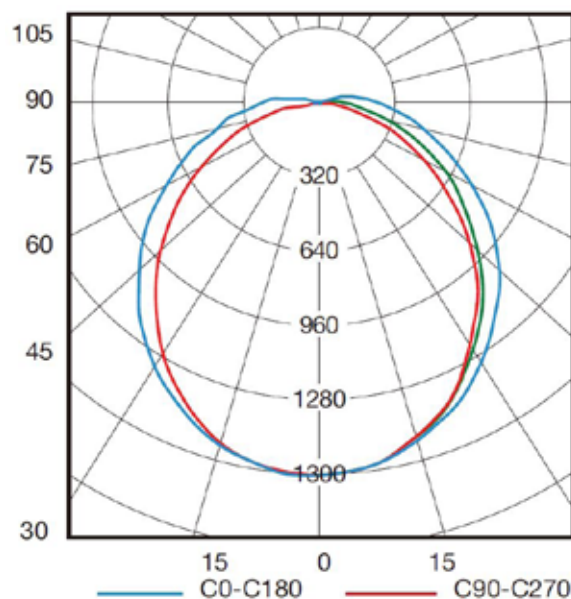
- **Body:** Formed Aluminium - Marine Grade
- **Optics:** T2 - T3
- **Wattage:** 20 - 30 - 40 - 60 - 80 Watts
- **Finishing:** Powder Coat (Grey Standard)
- **Fixing:** Ceiling or Wall
- **Mounting:** 3 - 6 Metres
- **IP rating:** IP65
- **IK rating:** IK10
- **Voltage:** 230VAC 50/60Hz
- **Power Factor:** >0.9

Options



- **Flat diffuser IK10:** (Aero)
- **Fuse Terminal Block:** (FTB)
- **Surge Protection Device:** (SPD - 10KVA, 20KVA)
- **Class II:** (DB - Double Insulated)
- **Colour:** Black (BL), White (WH), Grey (GR - Standard)
- **CCT:** 3000K, **4000K (Standard)**, 5000k
- **Controller:** RS485 compatible lamp driver: (TST:LCU12R)
- **TST compatible:** (TST:SCU02)

Photometric Design Data



Specification S-LED

PRODUCT CODE	SLED.20W	SLED.30W	SLED.40W	SLED.60W	SLED.80W
Dimensions L x W x H mm	1255 x 150 x 90	1255 x 150 x 90	1255 x 150 x 90	1255 x 150 x 90	1555 x 150 x 90
Power Wattage (W)	20W	30W	40W	60W	80W
Input Voltage (V)	230V	230V	230V	230V	230V
CCT (K)	3000K/ 4000K/ 5000K	3000K/ 4000K/ 5000K	3000K/ 4000K/ 5000K	3000K/ 4000K/ 5000K	3000K/ 4000K/ 5000K
CRI (Ra)	Ra>70	Ra>70	Ra>70	Ra>70	Ra>70
IP Protection	IP65	IP65	IP65	IP65	IP65
IK Protection	IK10	IK10	IK10	IK10	IK10
Weight (Kg) - max.	8.8	8.8	8.8	8.8	8.8







Aldridge Traffic Systems Pty Ltd

Unit 38, 38-46 South Street

Rydalmere NSW 2116

www.trafficltd.com.au

NSW

P: +61 2 9701 9900
e: info@trafficltd.com.au

VIC

P: +61 3 9430 0222
e: info@trafficltd.com.au

SA

P: +61 3 9430 0266
e: info@trafficltd.com.au

NT

P: +61 8 8947 0733
e: info@trafficltd.com.au

ACT

P: +61 2 6299 7922
e: info@trafficltd.com.au

WA

P: +61 8 9248 1002
e: info@trafficltd.com.au

QLD

P: +61 7 3184 2000
e: info@trafficltd.com.au

TAS

P: +61 3 6273 1177
e: info@trafficltd.com.au

UNITED KINGDOM

P: +44 (0) 1159 223 797
e: info@aldrigetraffic.co.uk

